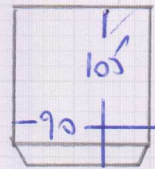
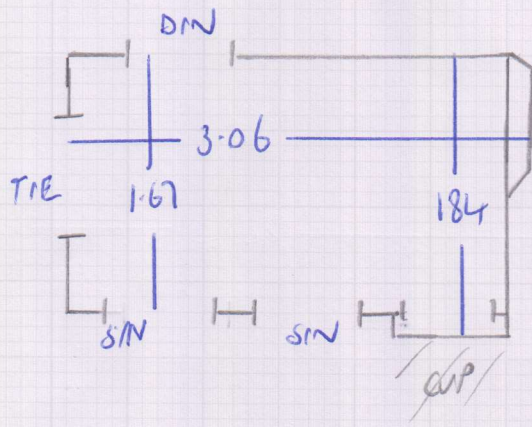
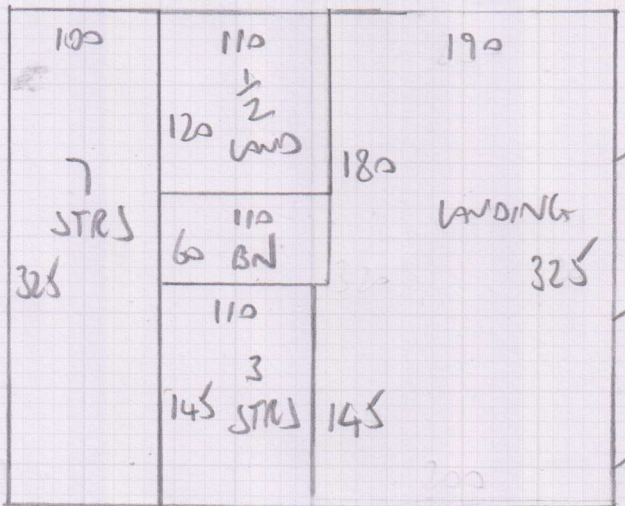


Job No: F25900
 Name: BAZ
 Address: 4 STRODE ROAD
 SW6 6BL
 Tel:
 Sheet: of:



10 STRS - 81
 BN 98 x 45
 GIP



3.25m x 4.00m
 = 13m²

F25900

4th call of 5

Notes for Measure

Estimator: Paul

Shelley Baz, 4 Strode Road

Date of Measure: Tue, 5 Sep 17

At: 12pm - 1pm

Site Address:
4 Strode Road

Customer Address:
4 Strode Road

LONDON SW6 6BL

LONDON SW6 6BL

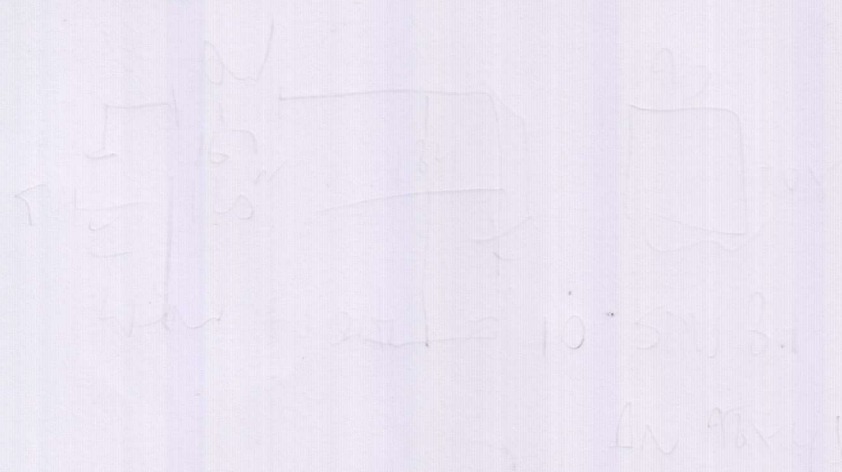
CONTACT: As customer details

Mobile	Home	Office
07946-869798		

Email:

Areas to be done and Description of Measure

Measure stairs & landing



Instructions and Estimators comments

Rutland 50 RUT50-54

Must Read!

Not entered

Office Ref: F25900

Shelley Baz, 4 Strode Road

Date of Measure Tue, 5 Sep 17

At 12pm - 1pm

Floor: Wood / Concrete / other _____

S/edge: Wood/Concrete/No pin/existing (if existing, allow ___ sticks to supplement where necessary) *SOME DOWN*

Sticking Req'd: Yes/ No Type: Fastset/Other

Underlay: Re-use Existing / New required

Type: 42oz Felt / Fomalux / PU Foam / Luxury PU Foam / LowTog / Durafit

Doorbars: Alloy / *OK* Satin Ali / Polished Ali / Anod / Solid Brass / Chrome / Nisheen Seam/Wood/T/Holds: colour _____

Door Clearance: *COUPLE* OK / Low (advise on quote)
- SW IN FRONT OF DOORS

Uplift: No / Yes (if "Yes" - what type?) _____

Furniture: No/Yes (if YES, please specify the following) - 1 man / 2 men (Fitter to get paid) £_____ total/per room

Parking Cost: Free / £ *2.20* per hour

Parking Restrictions: (type) / £ *P80*

Congestion Zone: No / Yes

Access: Easy / Hard / 2 men req'd / _____ floor?

Runners: Whipping / Binding (if binding, specify type)

Tape size: 1½" / 2" / 3" / 5"

Style: Top taping / Side binding

Stairrods: Type _____ Nr _____ Size _____

Must Read: Not entered