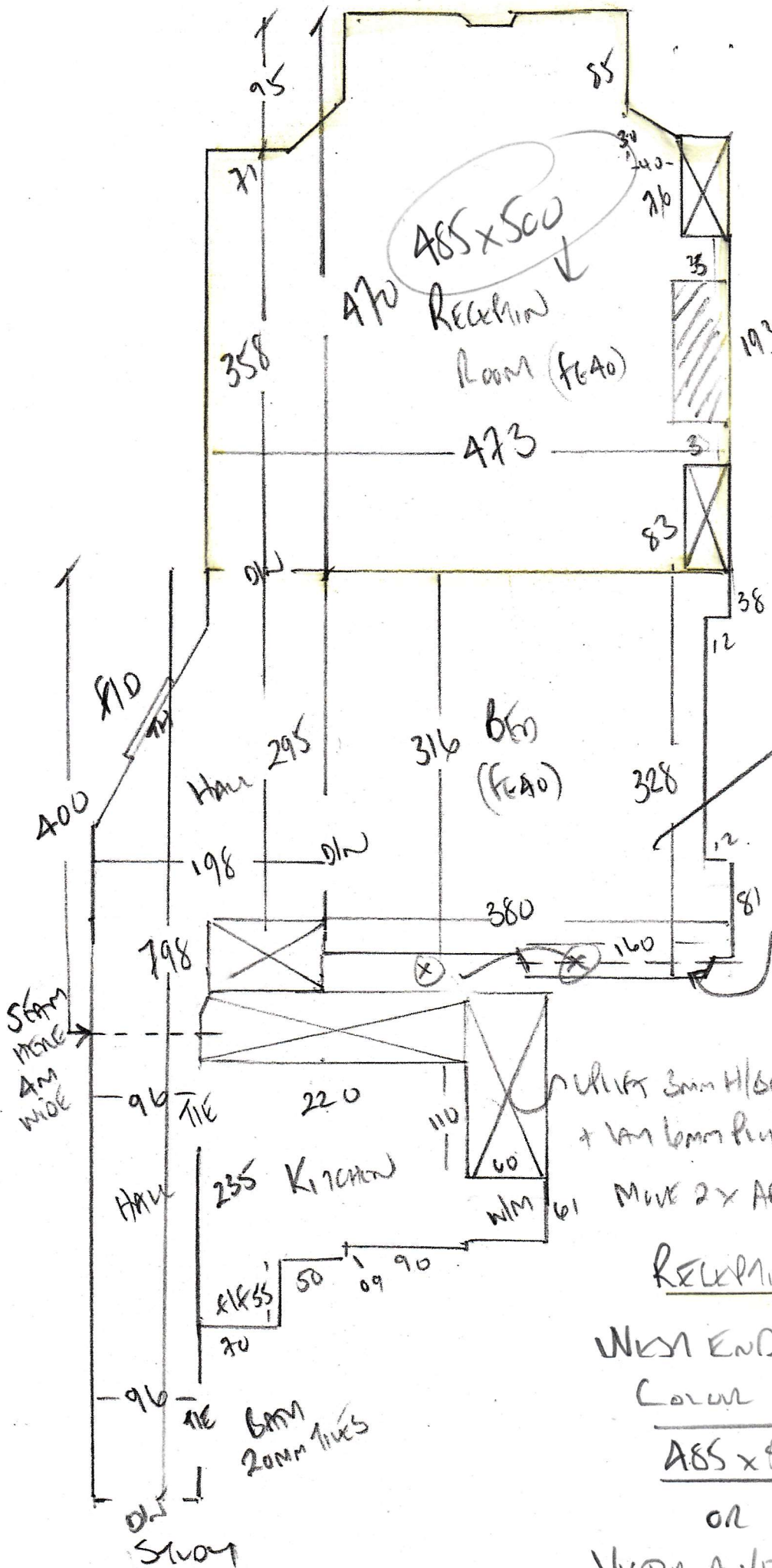


F27937
 CHURCH
 10 THE DRIVE NASSAU
 FULTON QLD
 SW6 516

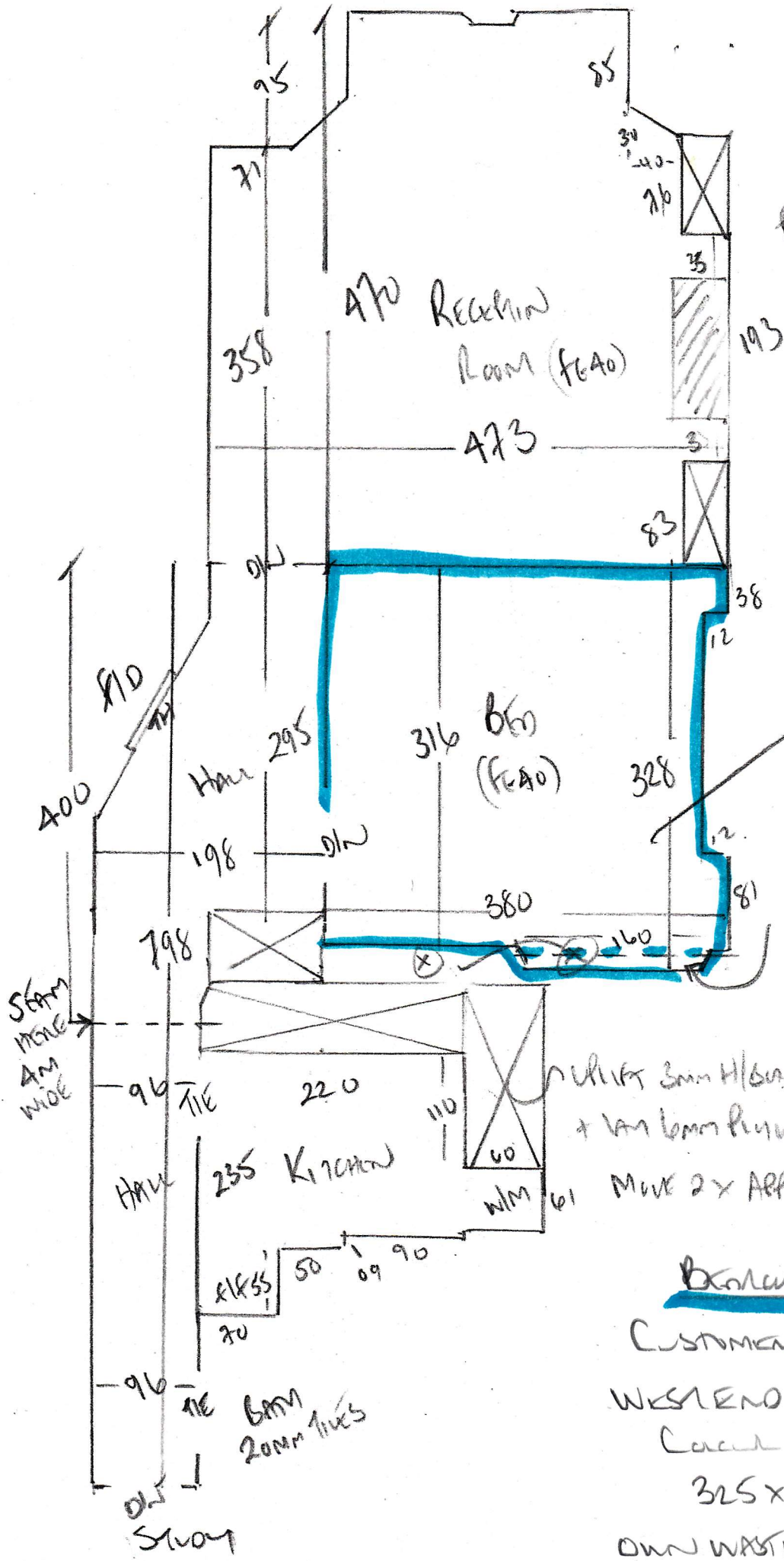


CUSTOMERS OWN CARPET
 (NEW ON SITE)
 325 x 385 SHED!!
 FLOOR REPAIR ALSO
 + CROSS JOIST

LIFT 3m H/GARD
 + 1m long Plywood for LV1!
 MOVE 2x APPLIANCES

RECEPTION ROOM
 WEST END VIEW
 COLOR RESO
485 x 500 24.25 m²
 OR
 VICTORIA VIEW 'A502
 COLOR CLIVEDEN

F27937
 CHURCH
 10 THE DRIVE MASLS
 FULTON LOD
 SW6 5JB

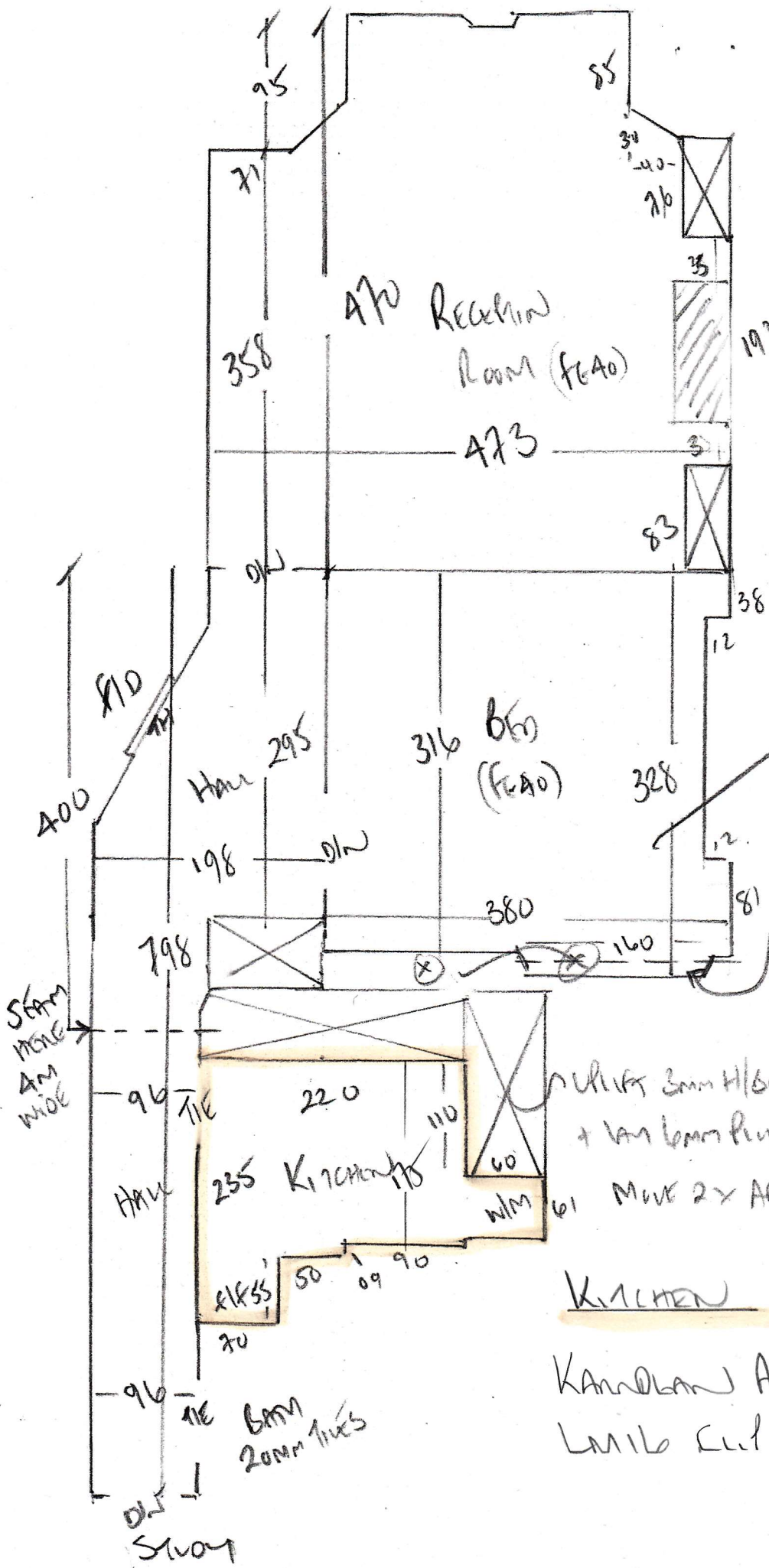


CUSTOMER'S OWN CARPET
 (NEW ON SITE)
 325 x 385 SHAG!!
 FINEER REW. ALSO
 + CROSS JOINT

REMOVE 3mm H/SUBD
 + 1mm LAMIN PLYWOOD FOR LV1!
 MOVE 2 x APPLIANCES

Balcony
 CUSTOMER'S OWN CARPET
 WESTEND EXCLUSIVE
 CASHMERE SALPHANE
 325 x 385m (SHAG!!)
 OWN WASTE TO DO FINEER!

F27937
 CHURCH
 10 THE DRIVE MASSEL
 FULTON LOD
 SW6 5JG



CUSTOMER OWN CARPET
 (NEW ON SITE)
 325 x 385 SHARP!!
 FLOOR REPAIRS
 + CROSS JOIST

REMOVE 3mm H/BAND
 + 14m beam RUNNER FOR LV1!
 MOVE 2x APPLIANCES

KITCHEN

KAROLAN AND SUELL
 LAMB LUT FLOOR 5.10m² NET

F27937

2nd call of 2

Notes for Measure

Estimator: Colin

Tim Church, 10 The Drive Mansions

Date of Measure: Thu, 7 Jan 21

At: RING 1030-11AM

Site Address:

10 The Drive Mansions
Fulham Road

LONDON

SW6 5JB

Customer Address:

10 The Drive Mansions
Fulham Road
LONDON

SW6 5JB

CONTACT: As customer details

Mobile	Home	Office
07956-319197		

Email:
timchurch@zoho.com

Areas to be done and Description of Measure

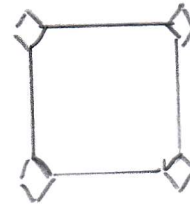
Hall west end Campion Lounge westend ~~vestibule~~ resesta or Victoria velvet 45 Clivedon Discuss qualities

Instructions and Estimators comments

KITCHEN VINYL LOOKING FOR WHITE WITH KEY SQUARE BEDROOM ADAPTION OF OWN

1 KANDIAN?

RETURNED TILES
LAD 90° WITH
KEY SQUARE 45°



KANDIAN ANSOUT
Lm16 CLIPHANE

Must Read!

AM

Office Ref: F27937

Tim Church, 10 The Drive Mansions

Date of Measure Thu, 7 Jan 21

At RING

Floor: Wood / Concrete / other _____

S/edge: Wood/Concrete/No pin/existing (if existing, allow __ sticks to supplement where necessary)

Sticking Req'd: Yes/ No Type: Fastset/Other

Underlay: Re-use Existing / New required

Type: 42oz Felt / Fomalux / PU Foam / Luxury PU Foam / LowTog / Durafit

Doorbars: Alloy / Satin Ali / Polished Ali / Anod / Solid Brass / Chrome / Nisheen
Seam/Wood/T/Holds: colour _____ *+ other Sand*

Door Clearance: OK / Low (advise on quote)

Uplift: No / Yes (if "Yes" - what type?) *Luxury best (Horn base)*

Furniture: No/ Yes (if YES, please specify the following) - 1 man / 2 men (Fitter to get paid) £ *25* total/per room

Parking Cost: Free / £ *200* per hour

Parking Restrictions: (type) / £ *Link 60*

Congestion Zone: No / Yes

Access: Easy / Hard / 2 men req'd / *2nd* floor?

Runners: ~~Whipping~~ / Binding (if binding, specify type)

Tape size: 1 1/2" ~~X~~ 2" / 3" / 5"

Style: Top taping / Side binding

Stairrods: Type *F* _____ Nr _____ Size _____

Must Read: AM

Office Ref: F27937