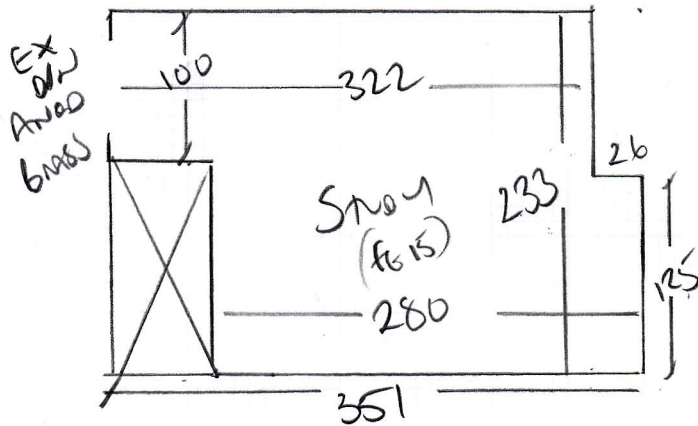


F27947
 BLACK
 25 HUNTING AVENUE
 WY 1QE

S1001



WOOD FLOOR

WHITE LAMP LITE ON OLD FLORED RUBBER

EXISTING ANCO BRASS D/W/DR

NEW ENGLAND

COLOUR ?

DURABLE + STYLISH LIN GRILLER

$$\frac{250 \times 400 \text{ m}}{\quad} \quad 10 \text{ m}^2$$

OR

$$\frac{360 \times 400 \text{ m}}{\quad} \quad 144 \text{ m}^2$$

HERNIMORE DESIGN

RUNNING TOWARDS DOOR

NE 6025 AUGUSTA

NE 6008 BOSTON

NE 6028 STOCKMERE

NE 6019 BAR HANCOCK

F27947

1st call of 4

Notes for Measure

Estimator: Colin

Sally Black, 25 Thornton Avenue

Date of Measure: Tue, 26 Jan 21

At: TBC

2nd 9.45-10.15

Site Address:

25 Thornton Avenue
Chiswick

LONDON W4 1QE

CONTACT: As customer details

Mobile	Home	Office
07973-222929		

Customer Address:

25 Thornton Avenue
Chiswick
LONDON

W4 1QE

Email:
sally@allblacksvianw.co.uk

Areas to be done and Description of Measure

Measure Study

↑
Sally @ allblacks.vianw.co.uk

Instructions and Estimators comments

Unnatural Flooring New England Stockbridge NE-6028

Must Read!

Please call Monday 25th Jan with approx ETA

Office Ref: F27947

Sally Black, 25 Thornton Avenue

Date of Measure Tue, 26 Jan 21

At TBC

Floor: Wood / Concrete / other _____

S/edge: *Shark* Wood/Concrete/No pin/existing (if existing, allow ___ sticks to supplement where necessary)

Sticking Req'd: Yes/No Type: Fastset/Other

Underlay: Re-use Existing / New required

Type: 42oz Felt / Fomalux / PU Foam / Luxury PU Foam / LowTog / Durafit

Doorbars: Alloy / Satin Ali / Polished Ali / Anod / Solid Brass / Chrome / Nisheen
Seam/Wood/T/Holds: colour _____

Door Clearance: OK / Low (advise on quote)

Uplift: No / Yes (if "Yes" - what type?) Lead line on Rubber

Furniture: No/ Yes (if YES, please specify the following) - 1 man / 2 men (Fitter to get paid) £ 10 total/ per room

Parking Cost: Free / £ _____ per hour

Parking Restrictions: (type) / £ free by phone NEARBY IN
MAYFIELD AVENUE
(NEXT STREET)

Congestion Zone: No / Yes

Access: Easy / Hard / 2 men req'd / 1ST floor?

Runners: Whipping / Binding (if binding, specify type)

Tape size: 1½" / 2" / 3" / 5"

Style: Top taping / Side binding

Stairrods: Type _____ Nr _____ Size _____

Must Read: Please call Monday 25th Jan with approx ETA