

F28177

4th call of 4

Notes for Measure

Estimator: Paul

Chris & Edwina Blackford, 23 Ellaline Road

Date of Measure: Thu, 24 Jun 21

At: 1pm - 2pm

Site Address:

23 Ellaline Road

Customer Address:

23 Ellaline Road

LONDON

W6 9NZ

LONDON

W6 9NZ

CONTACT: As customer details

Mobile	Home	Office
07590-279883		N/P

Email:

cblackford@sky-futures.com

Areas to be done and Description of Measure

Measure 1st floor areas

Instructions and Estimators comments

Fibre Sisal Antilles Aruba

Must Read!

Not entered

Office Ref: F28177

Chris & Edwina Blackford, 23 Ellaline Road

Date of Measure Thu, 24 Jun 21

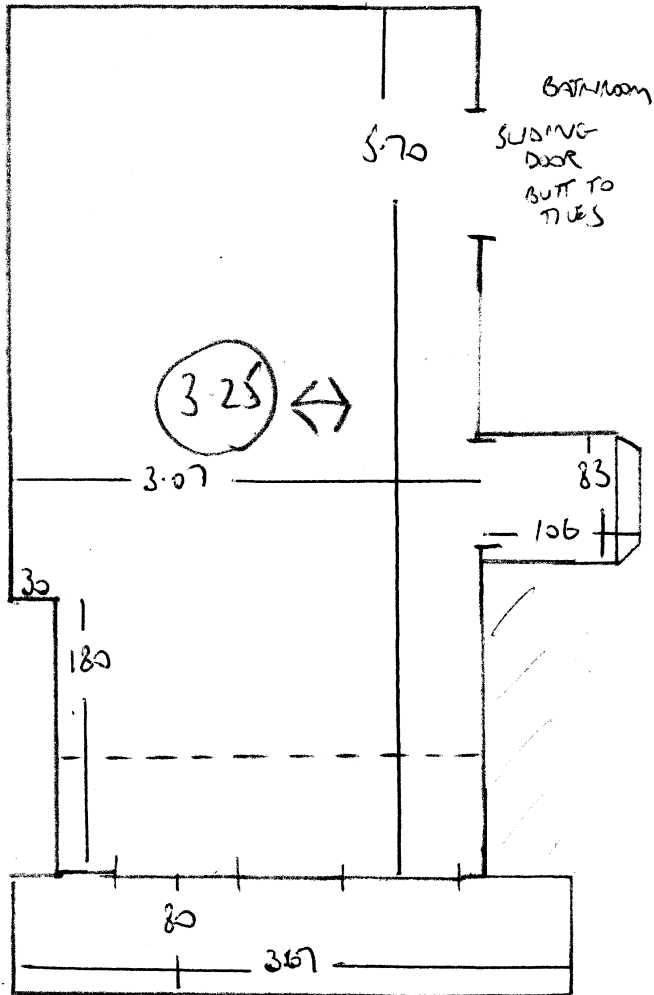
At 1pm - 2pm

Floor: Wood / Concrete / other _____
S/edge: Wood / Concrete / No pin / existing (if existing, allow ___ sticks to supplement where necessary)
Sticking Req'd: Yes / No Type: Fastset / Other
Underlay: Re-use Existing / New required
Type: 42oz Felt / Fomalux / PU Foam / Luxury PU Foam / LowTog / Durafit
Doorbars: Alloy / Satin Ali / Polished Ali / Anod / Solid Brass / Chrome / Nisheen Seam / Wood / T / Holds: colour _____ ?
Door Clearance: OK / Low (advise on quote)
Uplift: No / Yes (if "Yes" - what type?) _____
CARPET ON VIL
Furniture: No / Yes (if YES, please specify the following) - 1 man / 2 men (Fitter to get paid) £ _____ total/per room *HEAVY*
Parking Cost: Free / £ *5.00* per hour
Parking Restrictions: (type) / £ *PDD*
Congestion Zone: No / Yes
Access: Easy / Hard / 2 men req'd / *2ND* / *1ST* floor?
Runners: Whipping / Binding (if binding, specify type)
Tape size: 1½" / 2" / 3" / 5"
Style: Top taping / Side binding
Stairrods: Type _____ Nr _____ Size _____

Must Read: Not entered

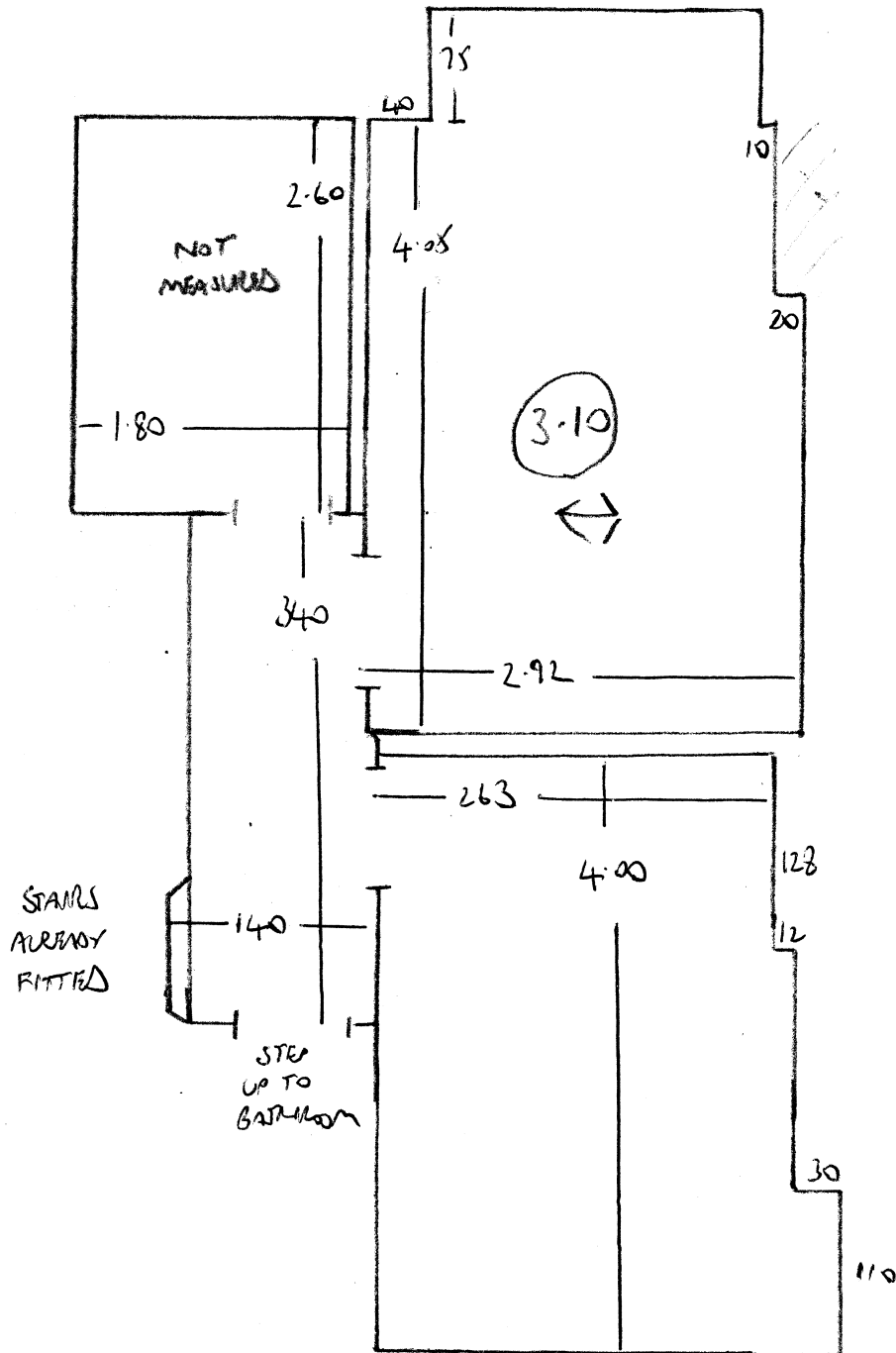
F28177
 BLACKFORD
 23 EUALINE ROAD
 W6 9NZ

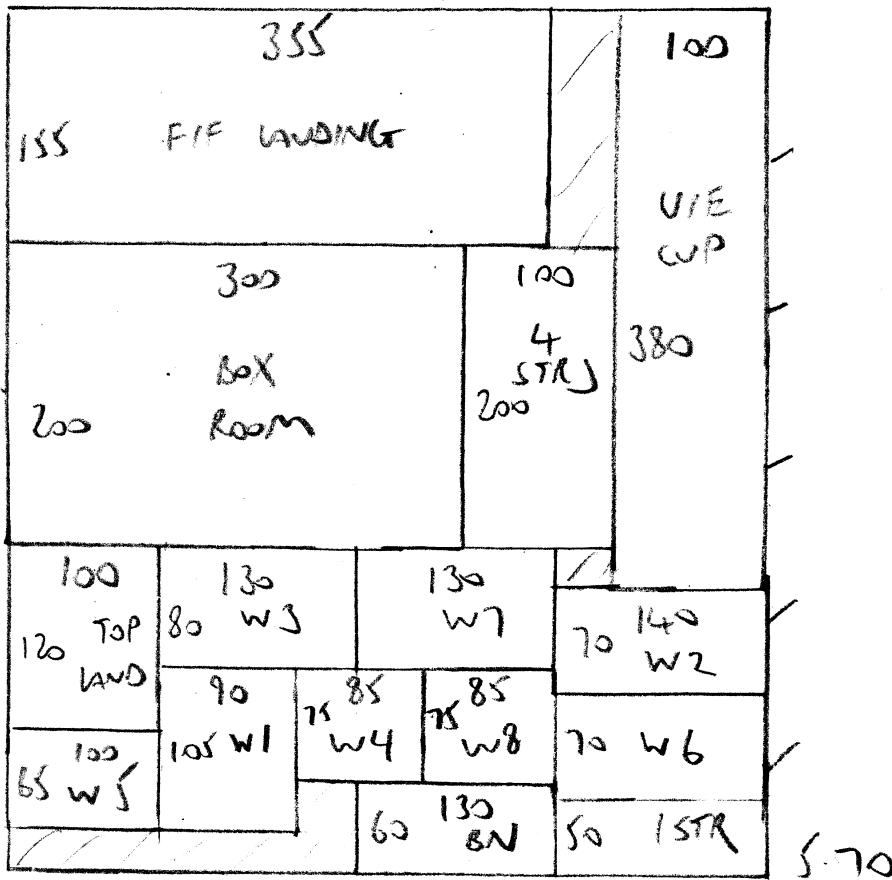
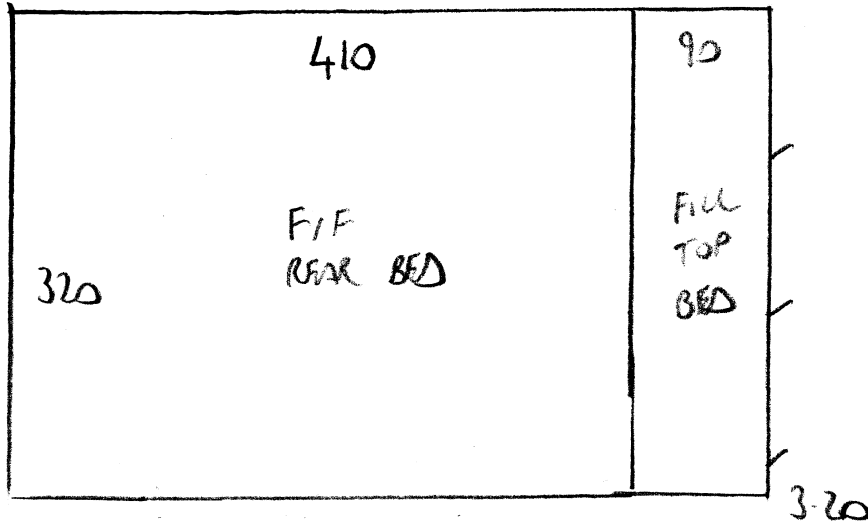
TOP FLOOR



- 1 STR 75
- 1 W 81x52 -
- 2 W 108x57 -
- 3 W 104x67 -
- 4 W 78x54 -
- 4 STRS 78
- 5 W 85x52 -
- 6 W 107x56 -
- 7 W 107x74 -
- 8 W 74x57 -
- DN 115x45

F28177
BLACKFORD
23 EURLINE ROAD
W6 9N2





325 - TOP ROOM
 310 - FIF FRONT
 320 } CIP
 570 }
1525 x 500 76.25M²

65M² UNDERLAY
 60SIE