

F29374

1st call of 5

Notes for Measure

Estimator: Paul

Seymour Diamond Ltd, 73 Lexham Gardens

Date of Measure: Wed, 17 May 23

At: 10am -11am

Site Address:  
73 Lexham Gardens

Customer Address:  
9 Alexa Court  
73 Lexham Gardens  
LONDON W8 6JL

LONDON W8 6JL

CONTACT: Fiona

Mobile	Home	Office
07710-603666		020-3588-5444

Email:  
fd@seymourdiamond.com

Areas to be done and Description of Measure

Measure communal stairs & landings

Instructions and Estimators comments

Carpet to select

Floors a bit uneven.  
 4th Floor ramps each end of landing  
 any building work to be done?  
 look over floors would be recommended

<b>Must Read!</b>	<b>Meet Fiona on site</b>
-------------------	---------------------------

Office Ref: F29374

Seymour Diamond Ltd, 73 Lexham Gardens

Date of Measure Wed, 17 May 23

At 10am -11am

Floor:  Wood /  Concrete / other STONE

S/edge:  Wood /  Concrete /  No pin / existing (if existing, allow \_\_ sticks to supplement where necessary)

Sticking Req'd:  Yes /  No Type:  Fastset / Other *EXISTING SIE OKAY STONE STAIRS - DRILLED & PLUGGED*

Underlay: Re-use Existing /  New required

Type: 42oz Felt / Fomalux / PU Foam / Luxury PU Foam / LowTog / Durafit ?

Doorbars: Alloy / Satin Ali / Polished Ali / Anod / Solid Brass / Chrome / Nisheen ?  
Seam/Wood/T/Holds: colour \_\_\_\_\_

Door Clearance:  OK / Low (advise on quote)

Uplift: No /  Yes (if "Yes" - what type?) \_\_\_\_\_ *TWIST WILTON ON FELT*

Furniture:  No / Yes (if YES, please specify the following) - 1 man / 2 men (Fitter to get paid) £ \_\_\_\_\_ total/per room

Parking Cost: Free / £ 5.00 per hour *- NO SPACES NEAR*

Parking Restrictions: (type) / £ ADD

Congestion Zone:  No / Yes

Access: Easy / Hard /  2 men req'd / \_\_\_\_\_ floor?

Runners: Whipping / Binding (if binding, specify type)

Tape size: 1½" / 2" / 3" / 5"

Style: Top taping / Side binding

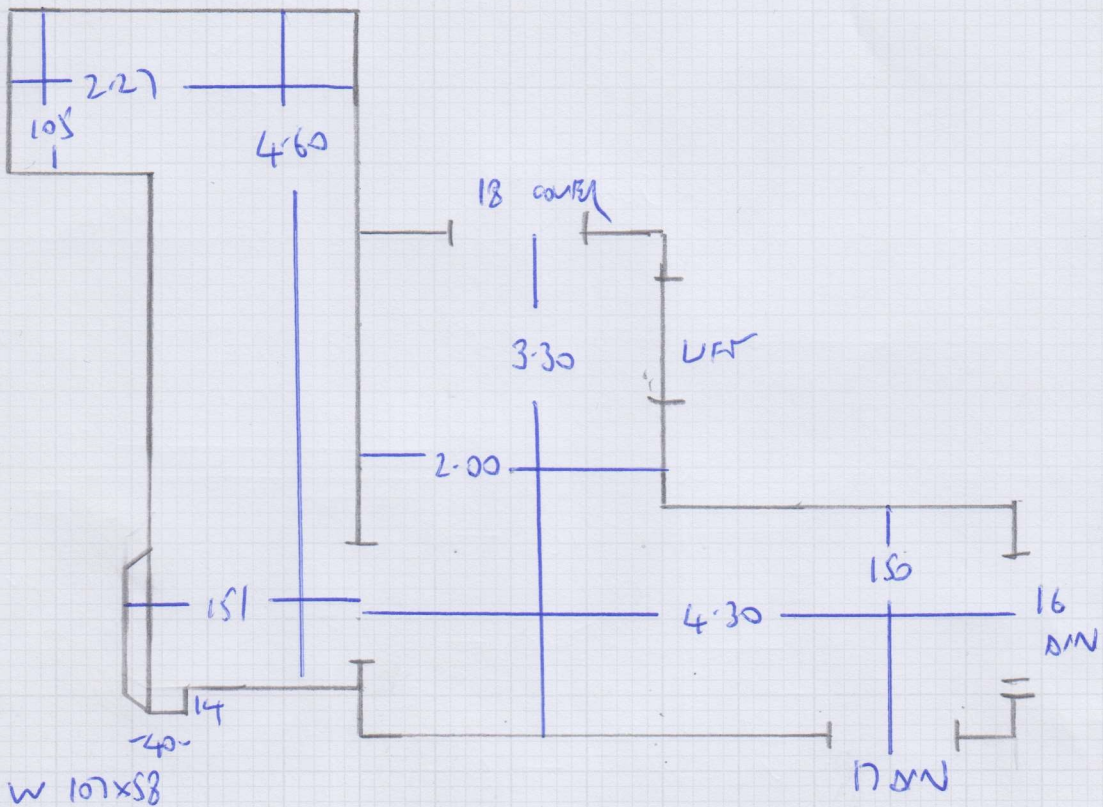
Stairrods: Type \_\_\_\_\_ Nr \_\_\_\_\_ Size \_\_\_\_\_

**Must Read: Meet Fiona on site**

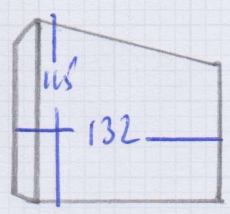


Job No: F29374  
 Name: SEYMOUR DIAMOND  
 Address: 73 LEXHAM GARDENS  
 W8 6JL  
 Tel: \_\_\_\_\_  
 Sheet: \_\_\_\_\_ of: \_\_\_\_\_

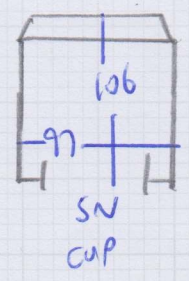
3RD Floor



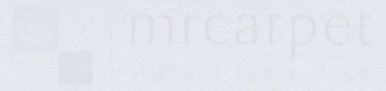
- W 107x58
- W 130x58
- W 130x70
- W 106x56
- W 89x50
- W 89x47
- 8 STPS 89
- W 92x47
- W 96x49
- W 106x48
- \*



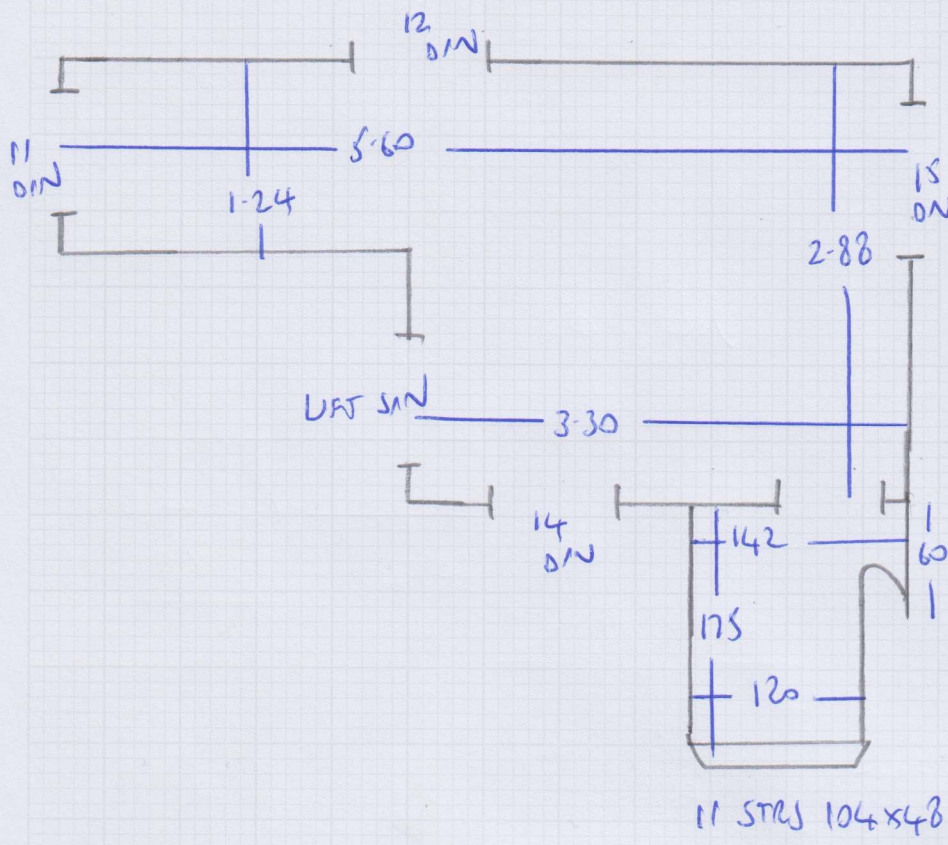
3 STPS 97



2nd Floor



Job No: F29374  
 Name: SEYMOUR DIAMOND  
 Address: 73 LEXHAM GARD  
 W8 6JL  
 Tel: \_\_\_\_\_  
 Sheet: \_\_\_\_\_ of: \_\_\_\_\_



11 STRS 104x48

- 9 STRS 100x48
- BN 101x46
- BN 102x50
- BN 107x55

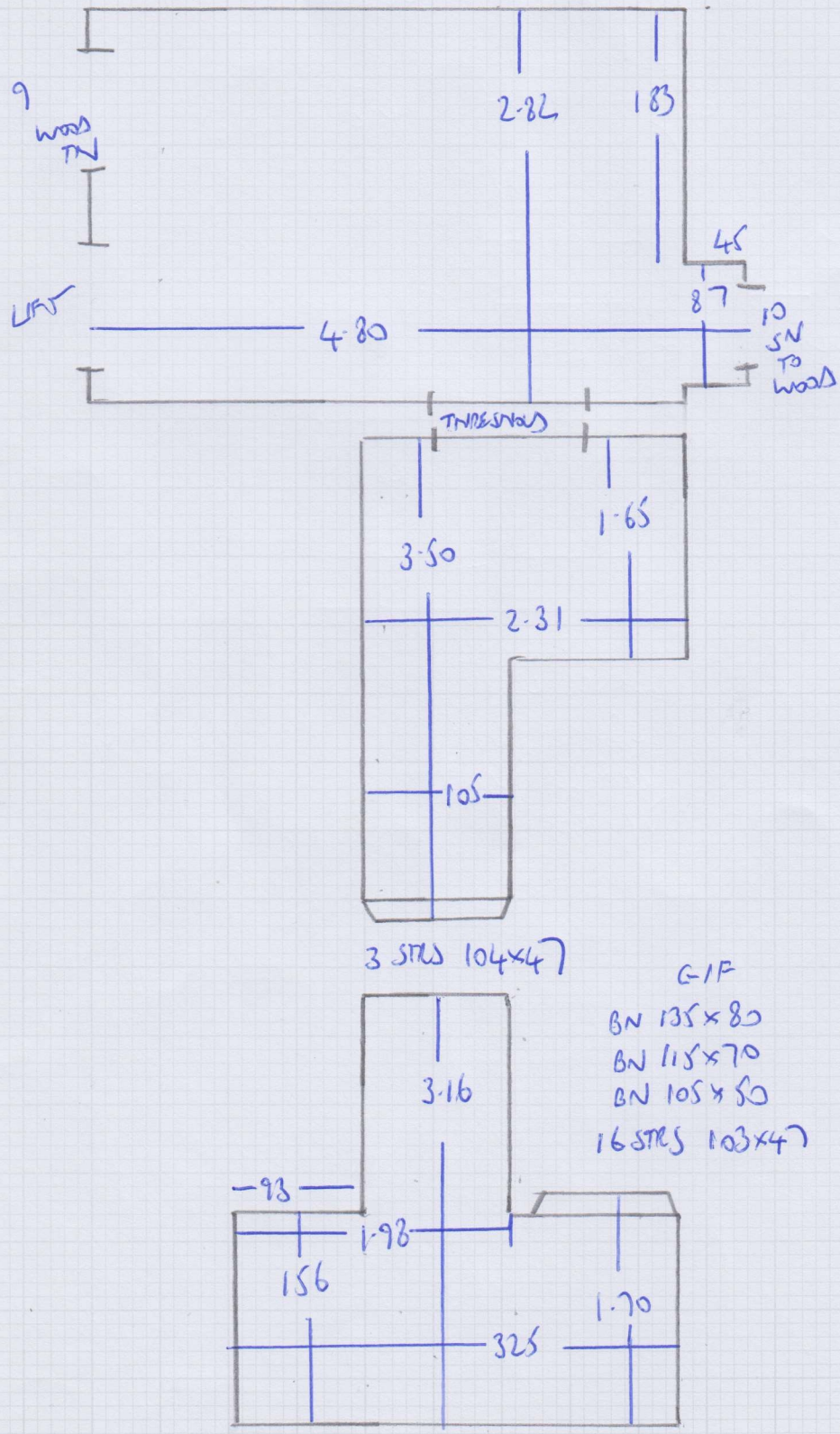


mrcarpet

Job No: F29374  
Name: SEYMOUR DIAMOND  
Address: 73 LEXHAM GARDENS  
W8 6JL

Tel: \_\_\_\_\_  
Sheet: \_\_\_\_\_ of: \_\_\_\_\_

### FIRST FLOOR



LIFT ROOM 112 x 105

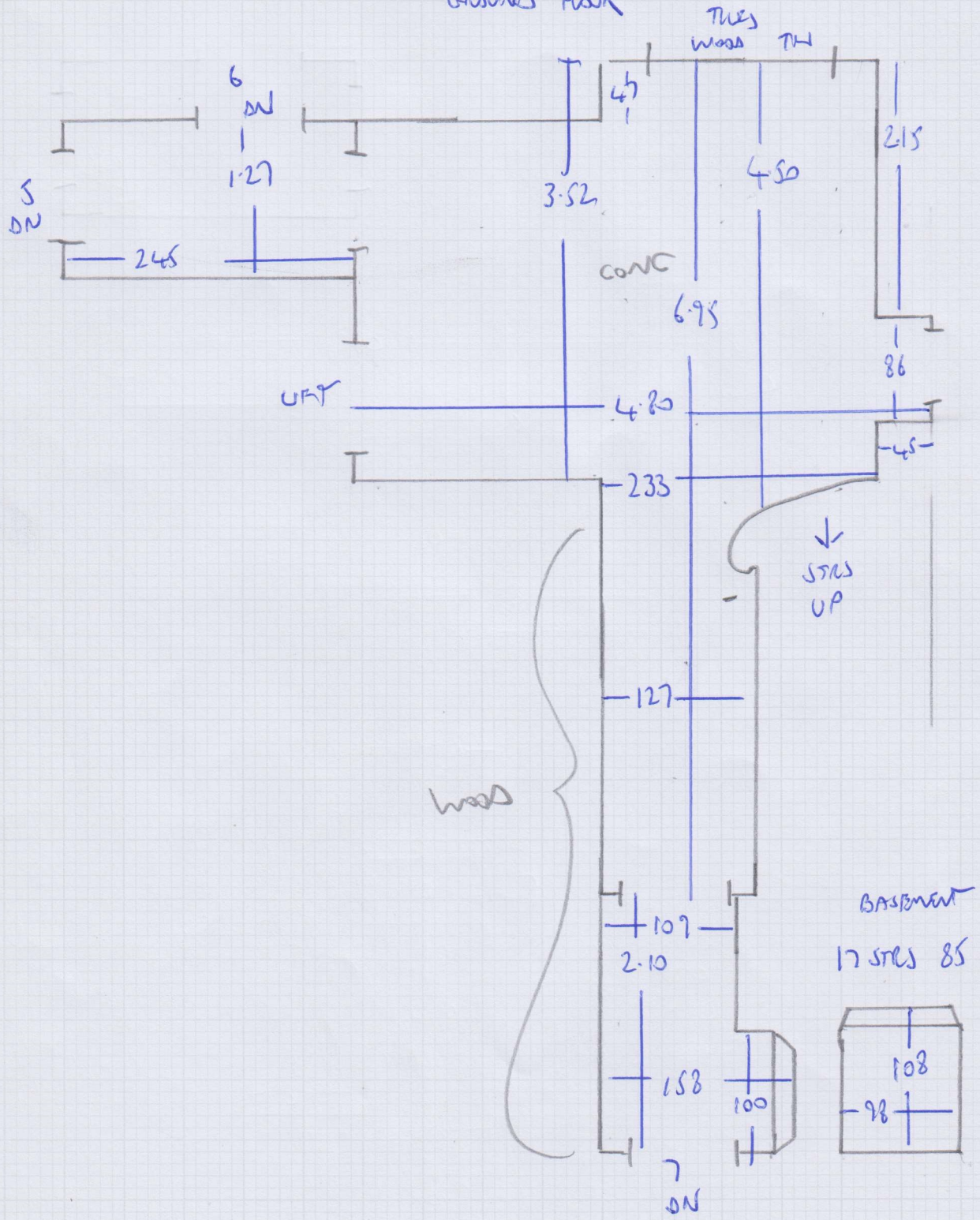
MAT 148 x 100

EXTERNAL MAT 120 x 120

Job No: F29374  
 Name: SEYMOUR DIAMOND  
 Address: 73 LEXHAM GARDENS  
 W8 6JL

Tel: \_\_\_\_\_  
 Sheet: \_\_\_\_\_ of: \_\_\_\_\_

GROUND FLOOR



Job No: F29374  
Name: SEYMOUR DIAMOND  
Address: 73 LEXHAM GARD  
W8 6JL  
Tel: \_\_\_\_\_  
Sheet: \_\_\_\_\_ of: \_\_\_\_\_

