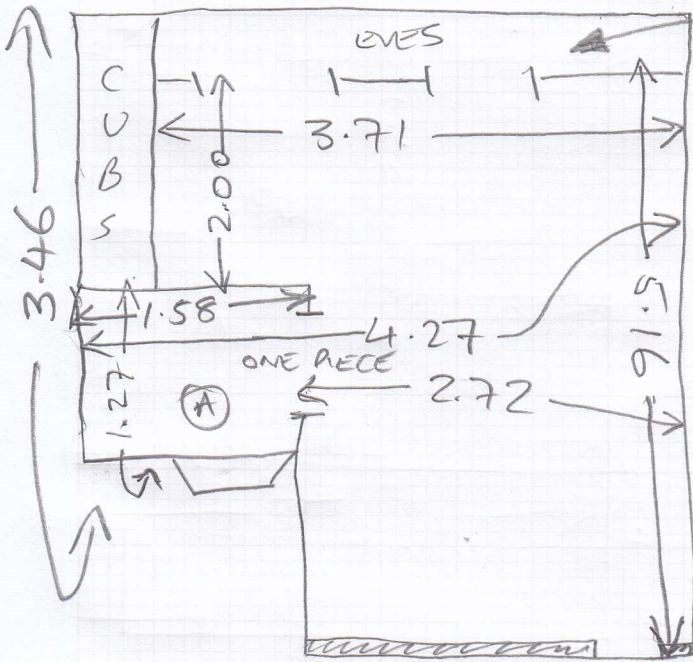


FRONT OF HOUSE

Job No: F30027
Name: DONATELLI

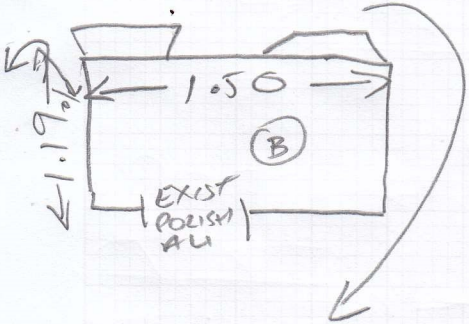
CPT RUN
IN FEW C/M



Top floor

520.72 x 0.44 OR
+TH

MOST HANDLES
+ SOCKETS ARE
SATIN ALU



820.72 + TH x 0.45 OR

Area: Top Room
Floor: Wood / ~~Conc~~ /
S/Edge: Existing / ~~Reqd~~ / NA
U/lay: Existing / ~~Reqd~~ / NA
Uplift: Yes / ~~No~~ / NA
Furn: ~~Yes~~ / No / ~~NA~~
Door: OK / ~~Needs Cutting~~
UFH: ~~Yes~~ / No / ~~NA~~
Notes:

Area: STAIRS
Floor: Wood / ~~Conc~~ /
S/Edge: Existing / ~~Reqd~~ / NA
U/lay: Existing / ~~Reqd~~ / NA
Uplift: Yes / ~~No~~ / NA
Furn: ~~Yes~~ / No / ~~NA~~
Door: OK / ~~Needs Cutting~~
UFH: ~~Yes~~ / No / ~~NA~~
Notes:

Area: _____
Floor: Wood / Conc / _____
S/Edge: Existing / Reqd / NA
U/lay: Existing / Reqd / NA
Uplift: Yes / No / NA
Furn: Yes / No / NA
Door: OK / Needs Cutting
UFH: Yes / No / NA
Notes:

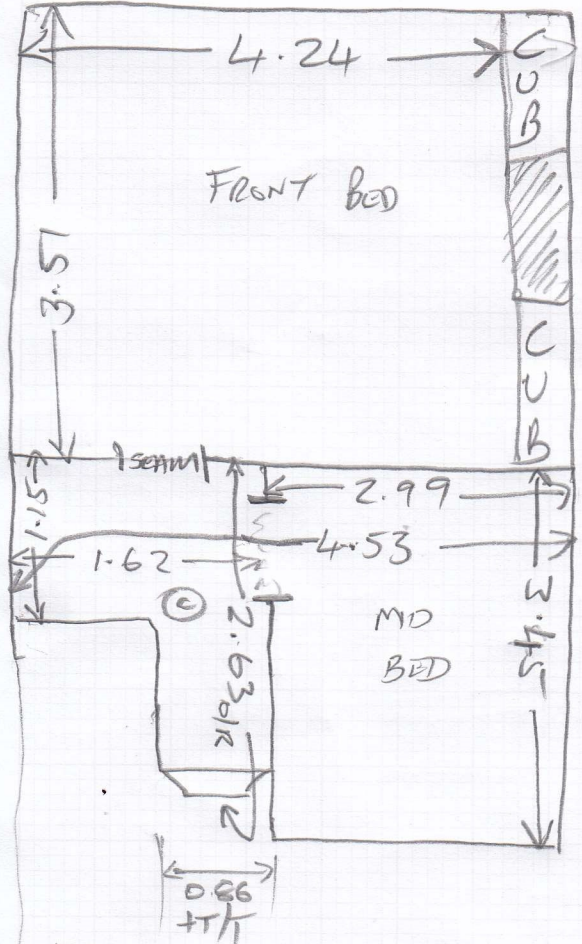
Area: _____
Floor: Wood / Conc / _____
S/Edge: Existing / Reqd / NA
U/lay: Existing / Reqd / NA
Uplift: Yes / No / NA
Furn: Yes / No / NA
Door: OK / Needs Cutting
UFH: Yes / No / NA
Notes:

Area: _____
Floor: Wood / Conc / _____
S/Edge: Existing / Reqd / NA
U/lay: Existing / Reqd / NA
Uplift: Yes / No / NA
Furn: Yes / No / NA
Door: OK / Needs Cutting
UFH: Yes / No / NA
Notes:

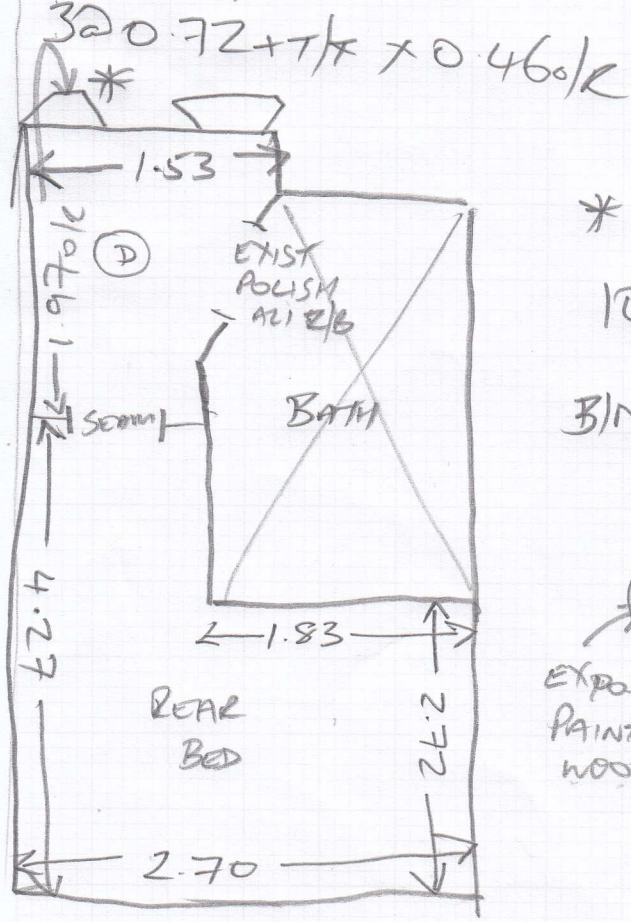
FRONT OF HOUSE

Job No: F30027
 Name: DONATELLI

1ST FLR

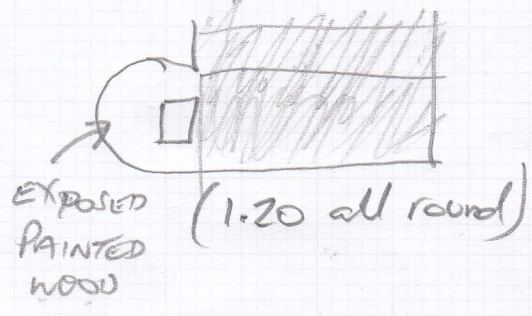


Area: FRONT BED
 Floor: Wood / ~~Conc~~
 S/Edge: Existing / ~~Reqd~~ / NA
 U/lay: Existing / ~~Reqd~~ / NA
 Uplift: Yes / ~~No~~ / NA
 Furn: Yes / No / NA
 Door: OK / Needs Cutting (RIGHT)
 UFH: Yes / No / ~~NA~~
 Notes: CUT BACK IN FRONT OF CUBS ALLOW S/E



Area: REAR BED
 Floor: Wood / ~~Conc~~
 S/Edge: Existing / ~~Reqd~~ / NA
 U/lay: Existing / ~~Reqd~~ / NA
 Uplift: Yes / ~~No~~ / NA
 Furn: ~~Yes~~ / No / NA
 Door: OK / Needs Cutting
 UFH: Yes / No / ~~NA~~
 Notes:

* TO GROUND FLR
 10 @ 0.72 + 1/4 x 0.44 1/2
 3 @ 0.71 x 0.41 1/2



Area: _____
 Floor: Wood / Conc / _____
 S/Edge: Existing / ~~Reqd~~ / NA
 U/lay: Existing / ~~Reqd~~ / NA
 Uplift: Yes / No / NA
 Furn: Yes / No / NA
 Door: OK / Needs Cutting
 UFH: Yes / No / NA
 Notes:

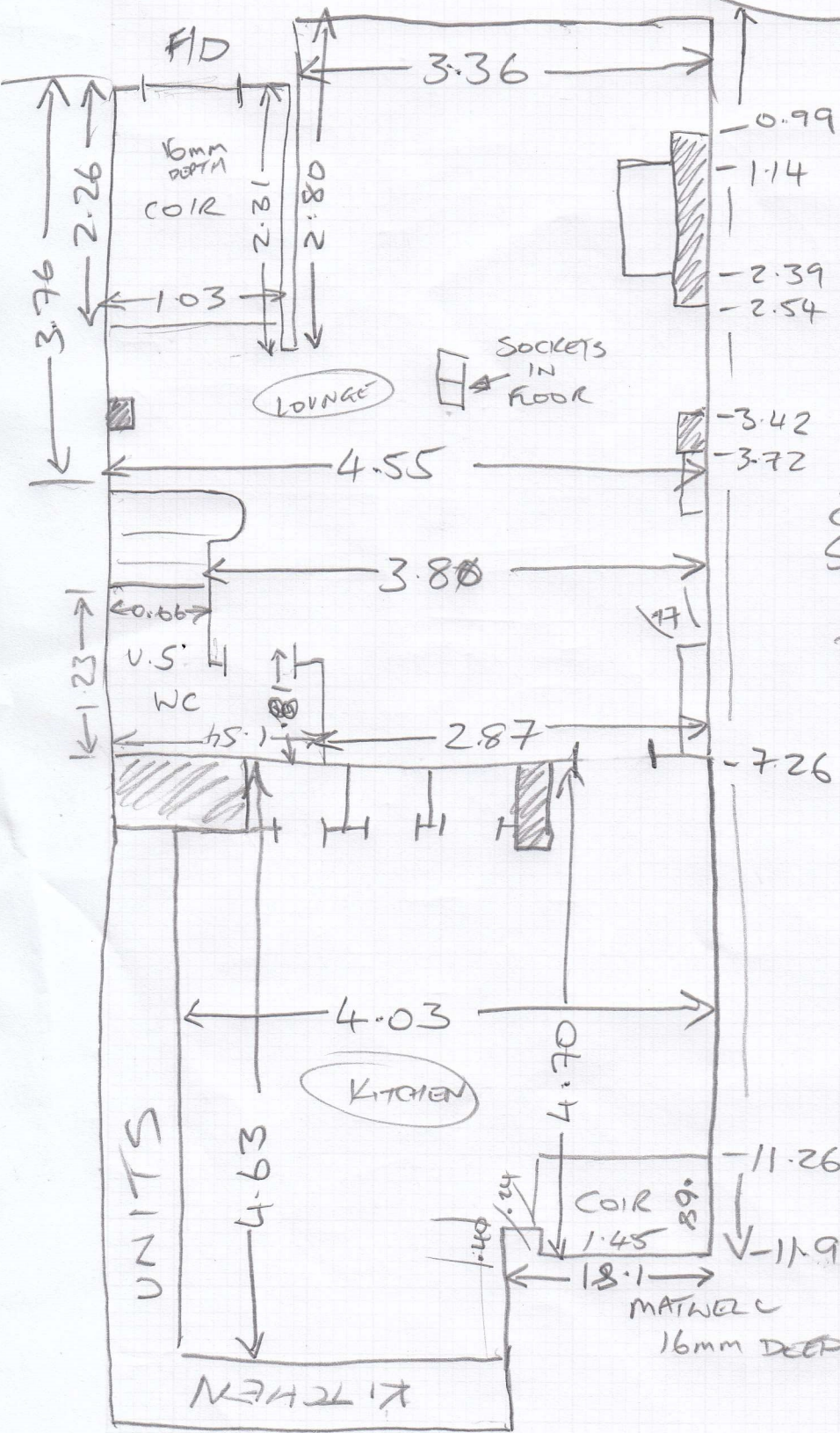
Area: _____
 Floor: Wood / Conc / _____
 S/Edge: Existing / ~~Reqd~~ / NA
 U/lay: Existing / ~~Reqd~~ / NA
 Uplift: Yes / No / NA
 Furn: Yes / No / NA
 Door: OK / Needs Cutting
 UFH: Yes / No / NA
 Notes:

FRONT OF HOUSE

NOT RECD
CONFIRMED
20/8/24

mrcarpets
DESIGNING FOR FLOORS

F30027
DONATELLI



(GROUND) floor

Area: GRND flr
 Floor: Wood / ~~Conc~~ /
 S/Edge: Existing / Req'd / NA
 U/lay: Existing / Req'd / NA
 Uplift: Yes / No / NA ?
 Furn: Yes / No / NA
 Door: OK / Needs Cutting POSS
 UFH: Yes / No / NA
 Notes:

Area: _____
 Floor: Wood / Conc / _____
 S/Edge: Existing / Req'd / NA
 U/lay: Existing / Req'd / NA
 Uplift: Yes / No / NA
 Furn: Yes / No / NA
 Door: OK / Needs Cutting
 UFH: Yes / No / NA
 Notes:

Area: _____
 Floor: Wood / Conc / _____
 S/Edge: Existing / Req'd / NA
 U/lay: Existing / Req'd / NA
 Uplift: Yes / No / NA
 Furn: Yes / No / NA
 Door: OK / Needs Cutting
 UFH: Yes / No / NA
 Notes:

Area: _____
 Floor: Wood / Conc / _____
 S/Edge: Existing / Req'd / NA
 U/lay: Existing / Req'd / NA
 Uplift: Yes / No / NA
 Furn: Yes / No / NA
 Door: OK / Needs Cutting
 UFH: Yes / No / NA
 Notes:

Area: _____
 Floor: Wood / Conc / _____
 S/Edge: Existing / Req'd / NA
 U/lay: Existing / Req'd / NA
 Uplift: Yes / No / NA
 Furn: Yes / No / NA
 Door: OK / Needs Cutting
 UFH: Yes / No / NA
 Notes:

F30027

1st call of 2

Notes for Measure

Estimator: PeterG

Anthony Donatelli, 37 Hannell Road

Date of Measure: Mon, 19 Aug 24

At: 9.00am prompt

Site Address:

37 Hannell Road

Customer Address:

37 Hannell Road

LONDON

SW6 7RA

LONDON

SW6 7RA

CONTACT:

As customer details

Mobile

Home

Office

07455-948889

Email:

adonatelli3@gmail.com

Areas to be done and Description of Measure

Measure - ground floor dining area only - stairs / landings / 3 x 1st floor bedrooms & top floor bedroom

Instructions and Estimators comments

Stairs Anywhere PET Ca-Arpet Herringbone / rooms either Viborg or LVT Moduleo

Must Read!

Recommended by Lizzie from Elgin & Ellis

Office Ref: F30027

Anthony Donatelli, 37 Hannell Road

Date of Measure Mon, 19 Aug 24

At 9.00am prompt

Floor: Wood / Concrete / other _____

S/edge: Wood/Concrete/No pin/existing (if existing, allow ___ sticks to supplement where necessary)

Sticking Req'd: Yes/No No Type: Fastset/Other

Underlay: Re-use Existing / New required

Type: TBC 42oz Felt / Fomalux / PU Foam / Luxury PU Foam / LowTog / Durafit

Doorbars: SOME EXIST Alloy / Satin Ali / Polished Ali / Anod / Solid Brass / Chrome / Nisheen
SOME SEMI Seam/Wood/T/Holds: colour _____

Door Clearance: OK / Low (advise on quote) POSS NEEDS CUTTING

Uplift: No / Yes (if "Yes" - what type?) _____

Furniture: No/Yes (if YES, please specify the following) - 1 man / 2 men (Fitter to get paid) £ _____ total/per room

Parking Cost: Free / £ 6 per hour

Parking Restrictions: (type) / £ N/A

Congestion Zone: No / Yes

Access: Easy / Hard / 2 men req'd / _____ floor?

Runners: Whipping / Binding (if binding, specify type)

Tape size: N/A 1½" / 2" / 3" / 5"

Style: Top taping / Side binding

Stairrods: Type _____ Nr _____ Size _____

Must Read: Recommended by Lizzie from Elgin & Ellis