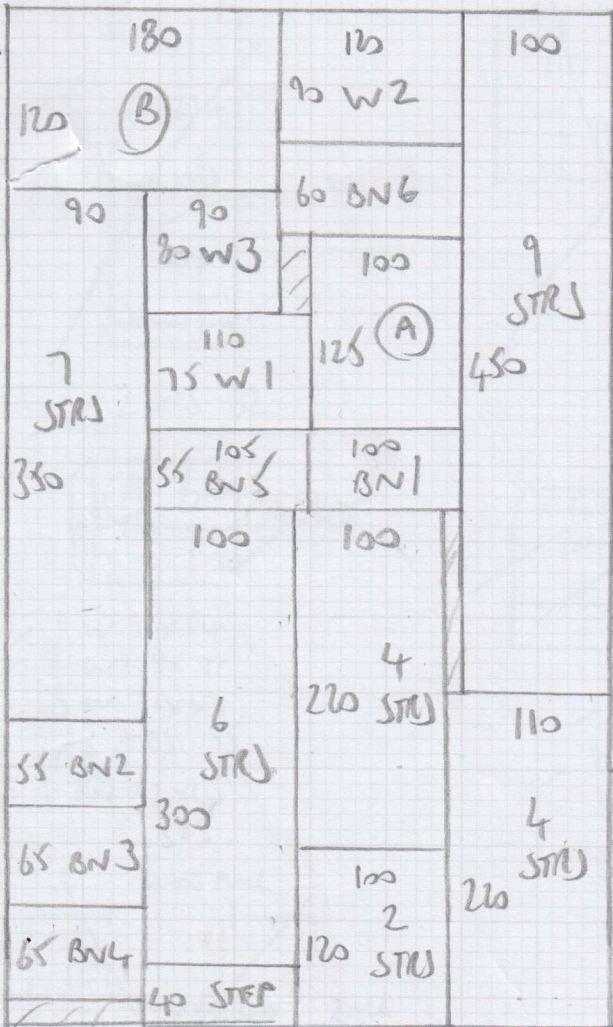


Job No: F25821
 Name: MCFARLANE
 Address: 179 GREYHOUND RD
 WB 8NL

Tel:
 Sheet: 1 of 2



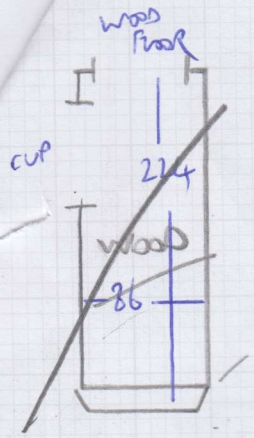
$6.70 \times 4.00 = 26.8m^2$

IF INCLUDING WINDOW (C) & STEP + $.70 \times 4.00 = 2.8m^2$

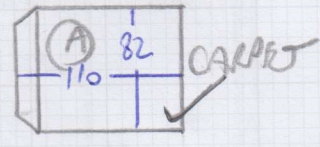
SO MEASURES TRAPING

Job No: F25821
 Name: MCFARLANE
 Address: 179 GREYHOUND ROAD
 W6 8NL

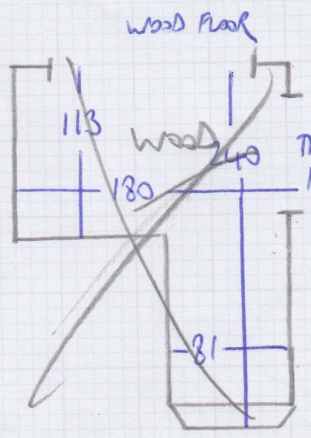
Tel:
 Sheet: 2 of 2



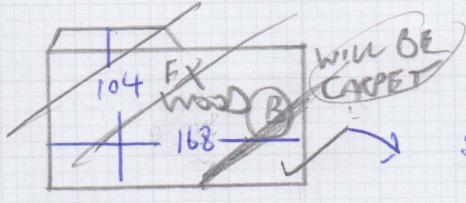
- 2 STPS - 82



- 1 W 91x64
- 2 W 108x72
- 3 W 71x67
- 6 STPS - 75
- 1 BN 92x45

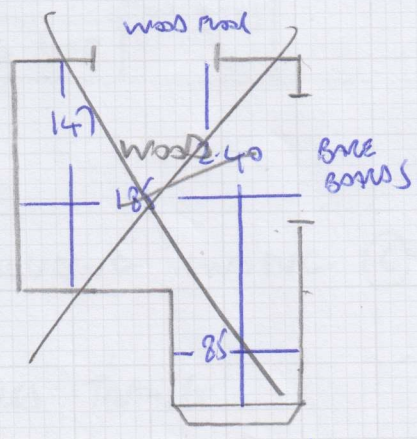


- 4 STPS - 74



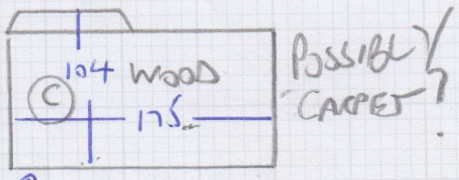
- 7 STPS - 74
 - 2 BN 74x43
 - 3 BN 79x52
 - 4 BN 82x55
- GIF

STPS TO BATHROOM
 75x30
 6 BN 86x40
 6 BN 109x45



- 4 STPS - 76

WOOD - ENGINEERED BOARD
 STAIRS - CAR ON PU FIRM
 UH STAPLED TO STAIRS.



STAIR TO ROOF TERRACE (NOT AREA) 84x50

9 STPS - 84

155