

P27175

3rd call of 4

Notes for Measure

Estimator: Colin

Lets In Southfields Ltd, 91 Arnal Crescent

Date of Measure: Mon, 18 Jul 16

At: 11-12 KEYS

Site Address:

91 Arnal Crescent

Customer Address:

12 Deepdale

LONDON

SW18 5PY

LONDON

SW19 5EZ

CONTACT: As customer details

Mobile	Home	Office
N/P	N/P	020-8947-7022

Email:

fiona@letsinsouthfields.co.uk

Areas to be done and Description of Measure

Stairs & Landings for Easicare Heartland 40 - Cookley @ £17.25m<sup>2</sup> -20% (Note for shop: selected as used on previous job)

Instructions and Estimators comments

\*RENTAL PROPERTY\* Quote 42oz Felt + options. Standard Bars + options.

Client asked for painted the bars to MATCH Door HANDLES!

Must Read!

COLLECT KEYS FROM 12 DEEPDALE, SW19 5EZ

Office Ref: P27175

Lets In Southfields Ltd, 91 Arnal Crescent

Date of Measure Mon, 18 Jul 16

At 11-12 KEYS

**Floor:**  Wood / Concrete / other \_\_\_\_\_

**S/edge:**  Wood/Concrete/No pin/existing (if existing, allow \_\_ sticks to supplement where necessary)

**Sticking Req'd:** Yes/ No Type: Fastset/Other

**Underlay:** Re-use Existing /  New required

**Type:**  42oz Felt + others / Fomalux / PU Foam /  Luxury PU Foam / LowTog / Durafit

**Doorbars:**  Alloy /  Satin Ali /  Polished Ali / Anod / Solid Brass / Chrome / Nisheen Seam/Wood/T/Holds: colour \_\_\_\_\_

**Door Clearance:**  OK / Low (advise on quote)

**Uplift:**  No / Yes (if "Yes" - what type?) \_\_\_\_\_

**Furniture:**  No/Yes (if YES, please specify the following) - 1 man / 2 men (Fitter to get paid) £ \_\_\_\_\_ total/per room

**Parking Cost:**  Free / £ \_\_\_\_\_ per hour

**Parking Restrictions:** (type) / £ \_\_\_\_\_

**Congestion Zone:**  No / Yes

**Access:**  Easy / Hard / 2 men req'd <sup>Concrete</sup> <sub>1ST</sub> floor?

**Runners:** Whipping / Binding (if binding, specify type)

**Tape size:** 1½" / 2" / 3" / 5"

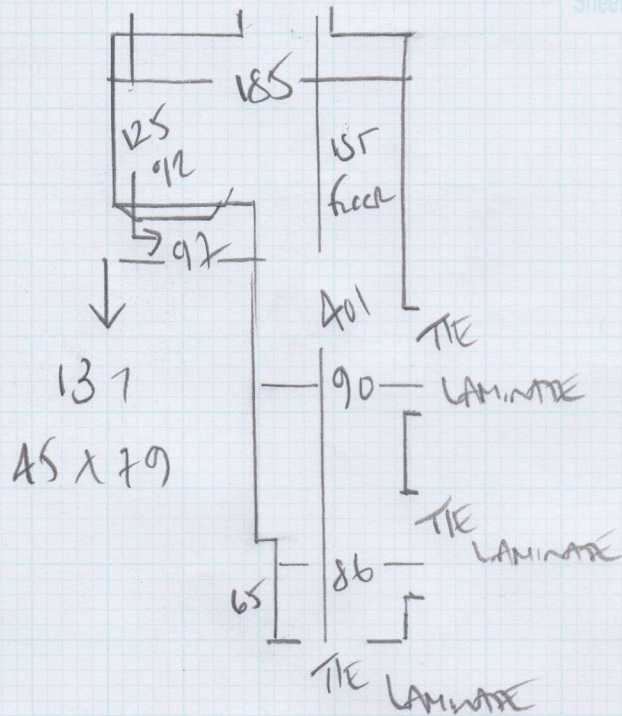
**Style:** Top taping / Side binding

**Stairrods:** Type \_\_\_\_\_ Nr \_\_\_\_\_ Size \_\_\_\_\_

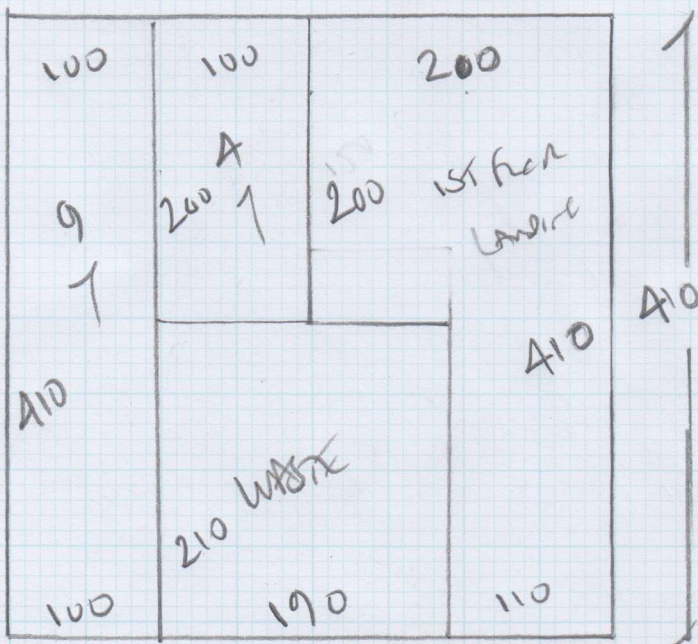
**Must Read: COLLECT KEYS FROM 12 DEEPPDALE, SW19 5EZ**

Job No: P27175  
 Name: Loris Sumhwa  
 Address: 91Ammal Street  
 SW8 SP-1  
 Tel:  
 Sheet: 1 of 1

6mm com 1160  
 TIE + 12mm Shim



6mm Shims  
 optional?  
 To 3 x LAMINATE  
 DOWNWAYS



BASICARE HEATLAD 'A0'  
 Cover COOKTOP

410 x 410 m

16.40 m<sup>2</sup>