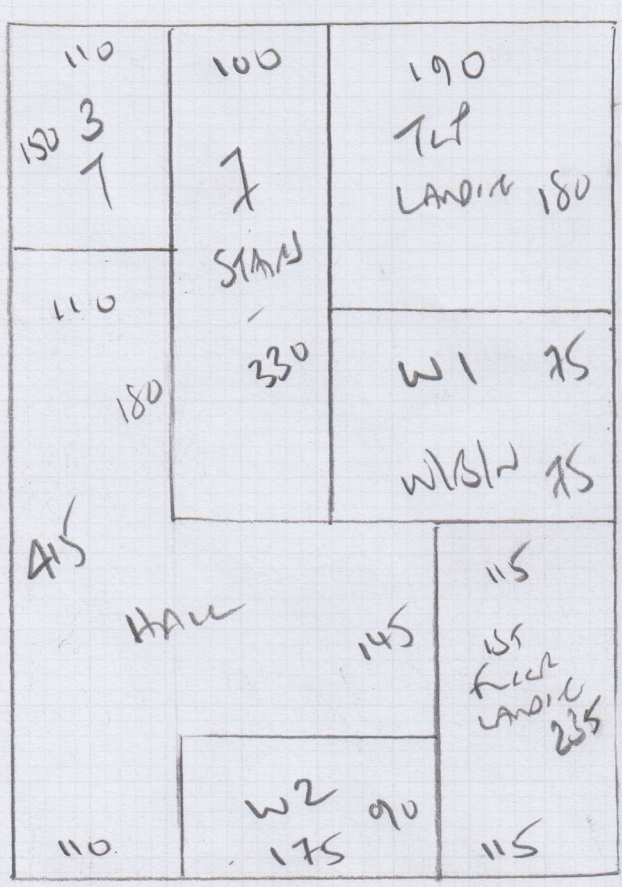


mrcarpet  
 Job No: P 28625  
 Name: OLIVIERE  
 Address: 135 Turkey Road  
 Switz 7&H  
 Tel:  
 Sheet: of:



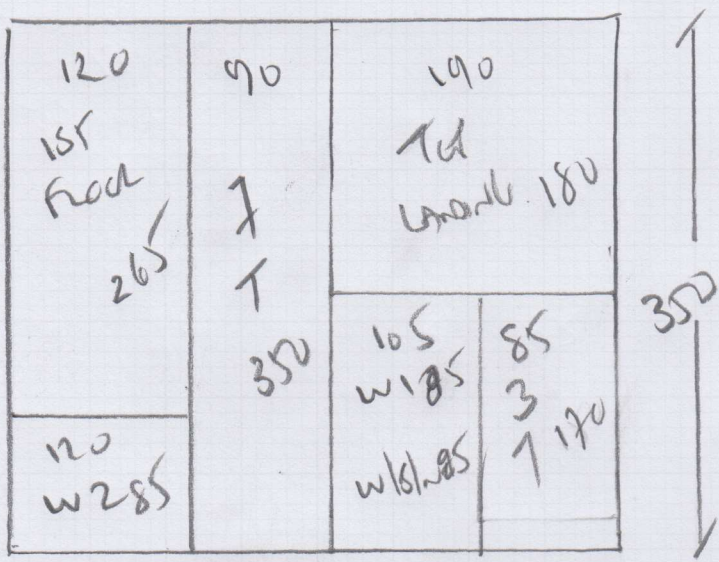
HALL STAIRS LAWNS

DEBORA  
 GARANT GREEN

565 x 400

2260 m<sup>2</sup>

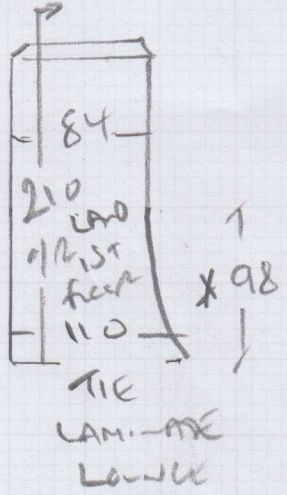
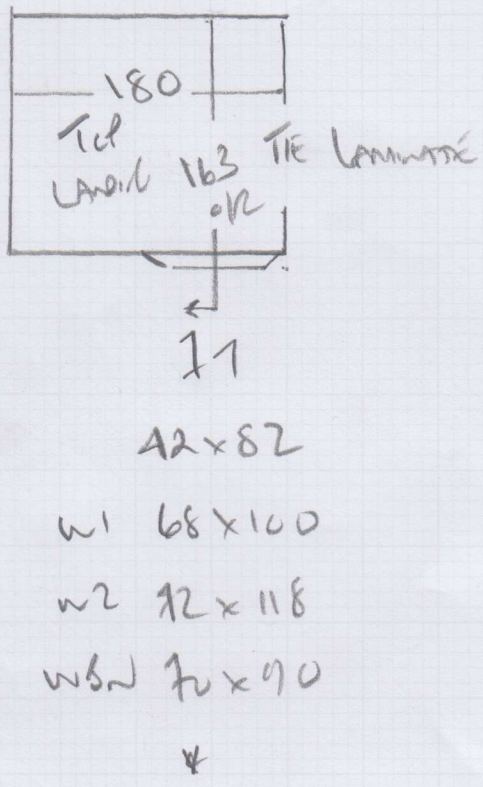
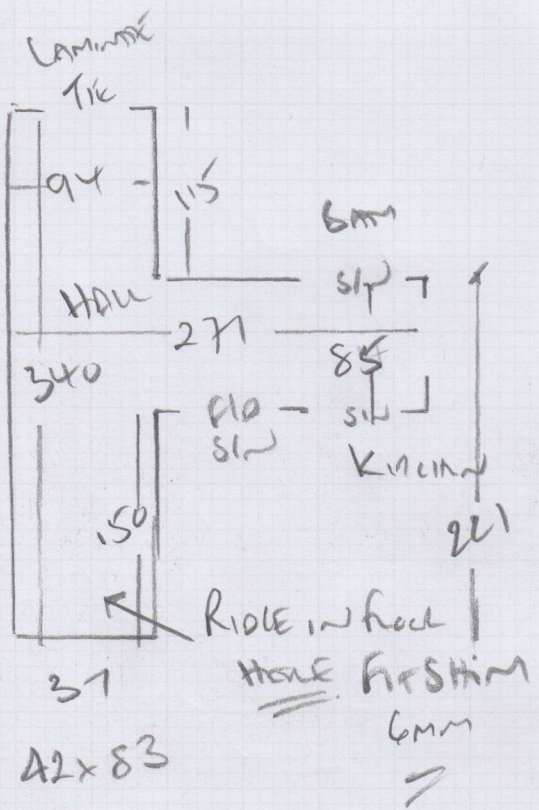
mrcarpet  
 Job No: P28625  
 Name: OLALINE  
 Address: 1361 Wemyss Ave  
 SW17 7QH  
 Tel:  
 Sheet: of



STAIRS + LANDINGS  
 EXCLUDES HALLWAY

350 x ACU  
 14m<sup>2</sup>

mrcarpet  
 Job No: P28625  
 Name: OLALINE  
 Address: 13 B Tunney Road  
 SW17 7QH  
 Tel:  
 Sheet: of:



WOOD floors  
 white first back on old wooden  
 EXISTING SKOPE + Allow some NEW (5 Stricks)  
 Ali BARS To Relieve An EXISTING COVERTURES.  
 RIDGE in HALLWAY floor JUST in front of 3 STAIRS

P28625

1st call of 4

Notes for Measure

Estimator: Colin

Ms Pauline Olarinde, 13b Tunley Road

Date of Measure: Tue, 2 Oct 18

At: 8:30-9am

Site Address:  
13b Tunley Road

Customer Address:  
13b Tunley Road

LONDON SW17 7QH

LONDON SW17 7QH

CONTACT: As customer details

Mobile	Home	Office
07904-384110		

Email:  
polarinde@googlemail.com

**Areas to be done and Description of Measure**

Hall, Stairs & Landing (all full width) for:- [1]Debonair 'Clearance' - Gallant Grey [2]Finelooop - FLO-489

1) An Area  
2) Carpet

2 Items Attached  
for Approval

**Instructions and Estimators comments**

Quote 42oz Felt +Options. Standard bars +Options. (Carpet Right have quoted - keep tight)

**Must Read!**

**Customer will be home**

**Office Ref: P28625**

Ms Pauline Olarinde, 13b Tunley Road

Date of Measure Tue, 2 Oct 18

At 8:30-9am

Floor:  Wood / Concrete / other \_\_\_\_\_

S/edge:  Wood/Concrete/No pin/existing (if existing, allow 5 sticks to supplement where necessary)

Sticking Req'd: Yes/ No Type: Fastset/Other

Underlay: Re-use Existing /  New required

Type:  + chairs 42oz Felt / Fomalux / PU Foam / Luxury PU Foam / LowTog / Durafit

Doorbars:  Alloy / Satin Ali / Polished Ali / Anod / Solid Brass / Chrome / Nisheen Seam/Wood/T/Holds: colour \_\_\_\_\_

Door Clearance:  OK / Low (advise on quote)

Uplift: No /  Yes (if "Yes" - what type?) Trust that base on rubber

Furniture:  No/Yes (if YES, please specify the following) - 1 man / 2 men (Fitter to get paid) £ \_\_\_\_\_ total/per room

Parking Cost: Free / £ 2.50 per hour

Parking Restrictions: (type) / £ 9.30-5.30 termid only  
Ring 60

Congestion Zone:  No / Yes

Access: Easy / Hard / 2 men req'd / 1st-2nd floor?

Runners:  Whipping / Binding (if binding, specify type)

Tape size: 1 1/2" / 2" / 3" / 5"

Style:  Top taping / Side binding

Stairrods: Type \_\_\_\_\_ Nr \_\_\_\_\_ Size \_\_\_\_\_

**Must Read: Customer will be home**