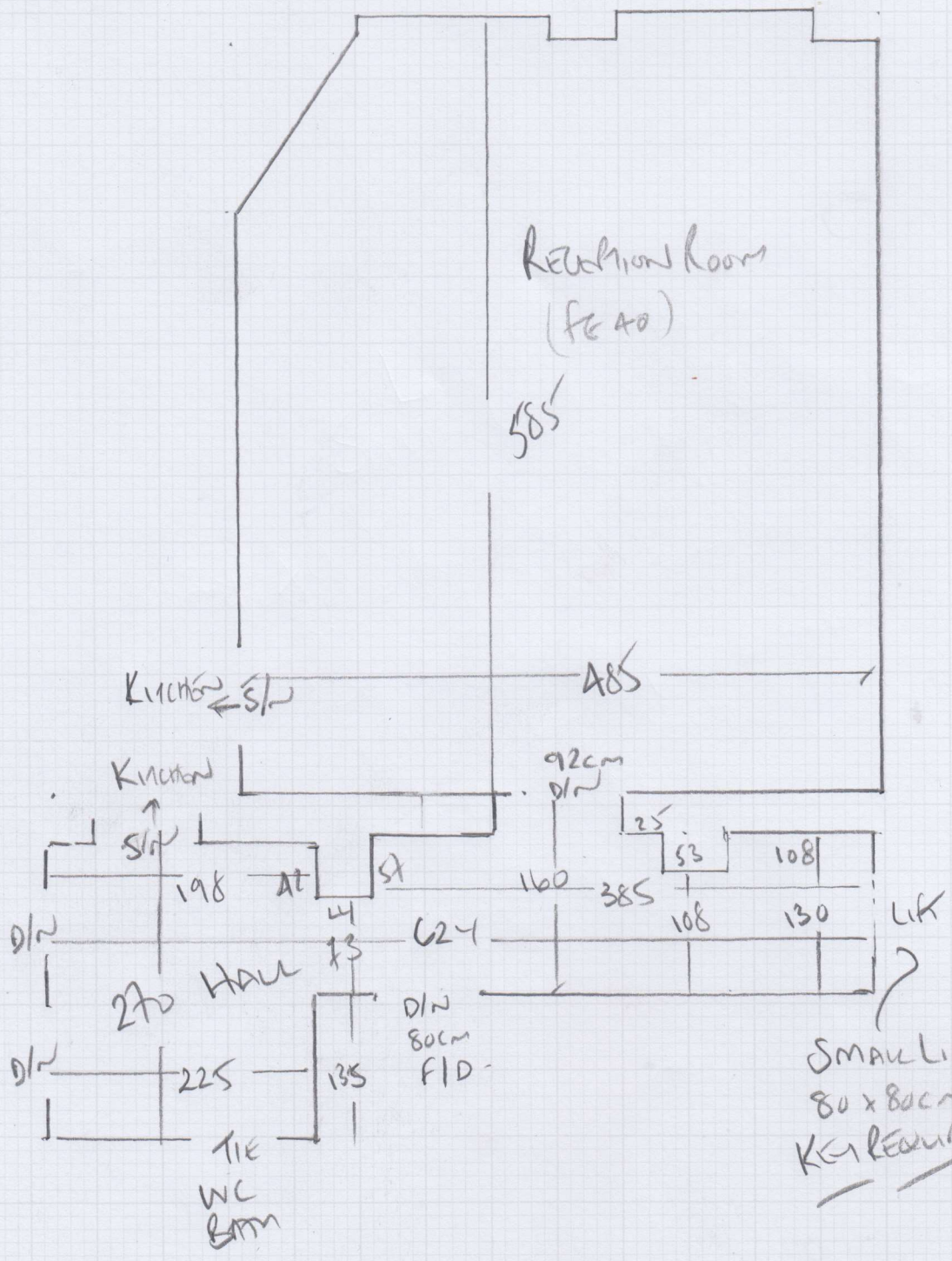


Job No: P28756
 Name: CONTE DESIGN
 Address: FURT 5
 50 ELMWOOD ROAD
 SW3 20Z
 Sheet: of:



SMALL LIFT
80 x 80cm
KEY REQUIRED !!

P28756

1st call of 2

Notes for Measure

Estimator: Colin

Conte Design, Flat 5, 50 Egerton Gardens

Date of Measure: Thu, 6 Dec 18

At: 10-11am

Site Address:

Flat 5, 50 Egerton Gardens

Customer Address:

Unit 2, Sullivan Enterprise Centre

Sullivan Road

LONDON

SW6 3DJ

LONDON

SW3 2DZ

CONTACT: Jack Conte

Mobile

Home

Office

07778-354048

020-3266-1031

Email:

OBTAIN EMAIL ADDRESS PLEASE

Areas to be done and Description of Measure

Entrance Hall & Sitting Room for carpet to select - JACK CONTE TO COME IN TO SHOP TO SELECT

Instructions and Estimators comments

Quote appropriate u'lay & doorbars + upgrade options. CHECK FURN / UPLIFT.

Must Read!

Client will be home / Jack MIGHT be there

Office Ref: P28756

Conte Design, Flat 5, 50 Egerton Gardens

Date of Measure Thu, 6 Dec 18

At 10-11am

Floor: Wood / Concrete / other _____

S/edge: Wood/Concrete/No pin/existing (if existing, allow ___ sticks to supplement where necessary)

Sticking Req'd: Yes/No Type: Fastset/Other

Underlay: Re-use Existing / New required

Type: 42oz Felt / Fomalux / PU Foam / Luxury PU Foam / LowTog / Durafit

Doorbars: Alloy / Satin Ali / Polished Ali / Anod / Solid Brass / Chrome / Nisheen
Seam/Wood/T/Holds: colour _____

Door Clearance: OK / Low (advise on quote)

Uplift: No / Yes (if "Yes" - what type?) Lock line on very old floor

Furniture: No/Yes (if YES, please specify the following) - 1 man / 2 men (Fitter to get paid) £ 40 total/per room

Parking Cost: Free / £ 4.00 per hour

Parking Restrictions: (type) / £ pay by phone

Congestion Zone: No / Yes

Access: Easy / Hard / 2 men req'd / 2nd floor?

Runners: X Whipping / Binding (if binding, specify type)

Tape size: 1½" X / 2" / 3" / 5"

Style: X Top taping / Side binding

Stairrods: Type _____ Nr _____ Size _____

SMALL LIFT CAR
GOES INTO FLAT
APPROX 80cm x 80cm
BUT KEY WILL BE
REQUIRES
OTHERWISE WIDE STAIRCASE
BUT EXTENSIVELY DECORATED

Must Read: Client will be home / Jack MIGHT be there