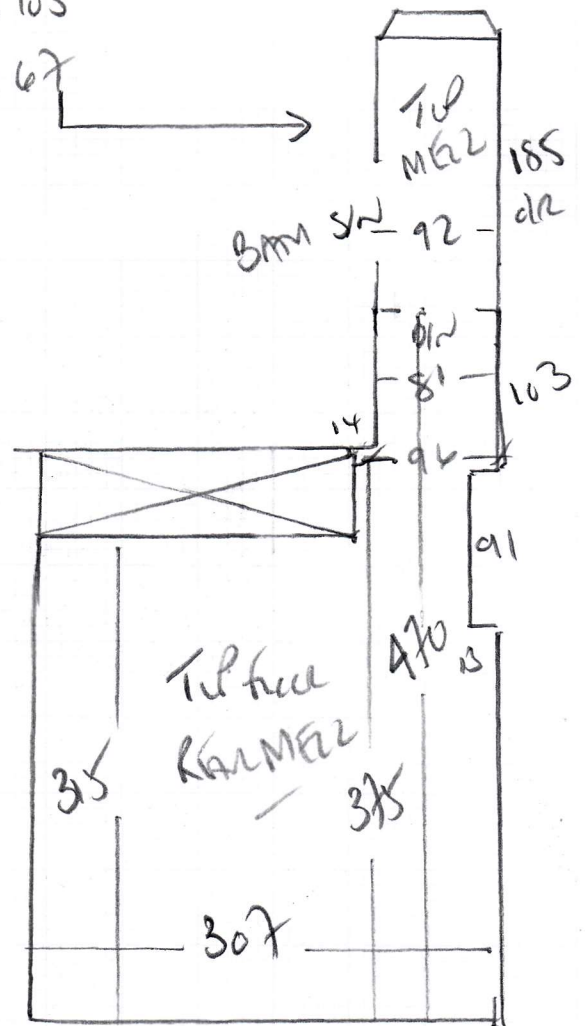
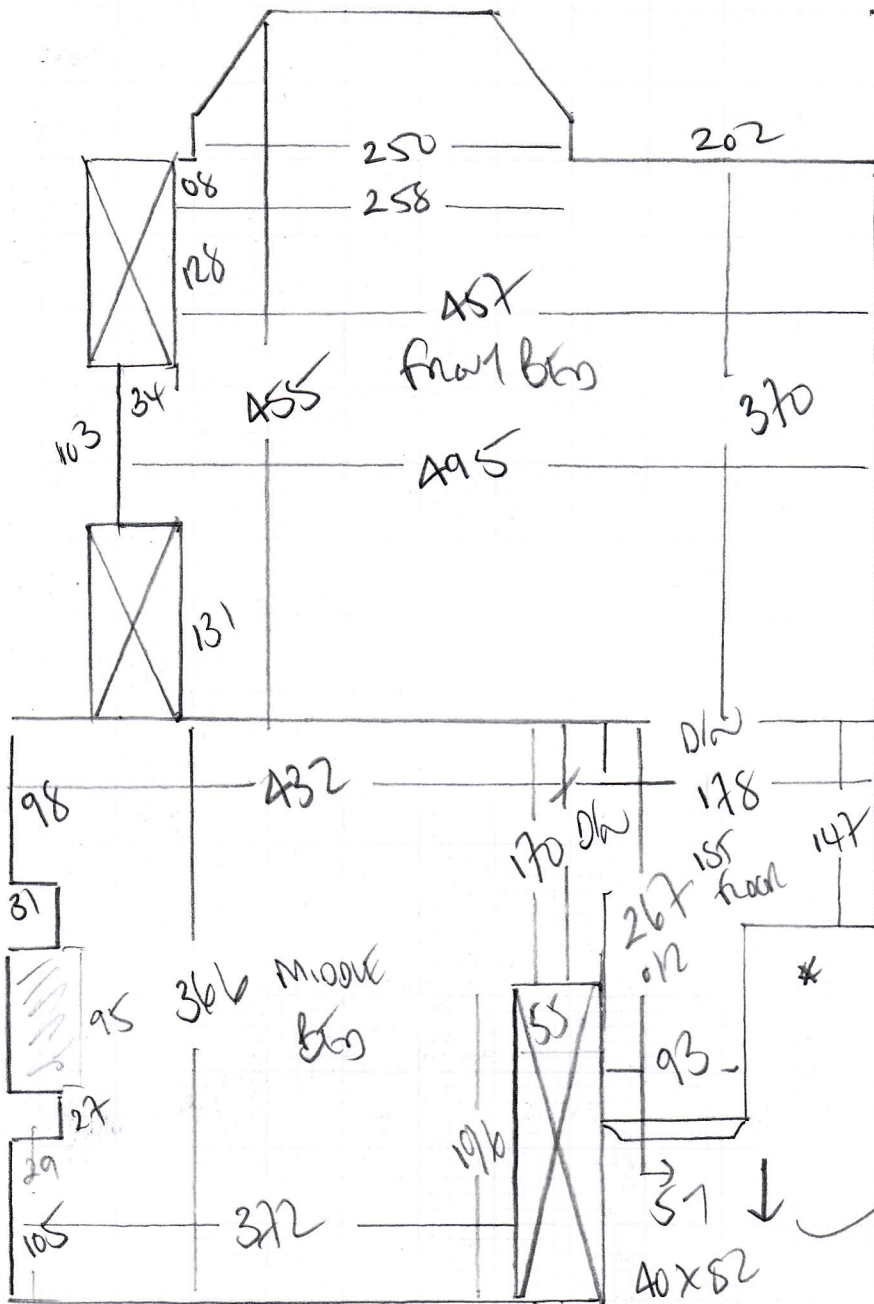


P29169
 HACKIN
 AS Broomway to
 SW 16th

*
 81
 ↑
 42x82

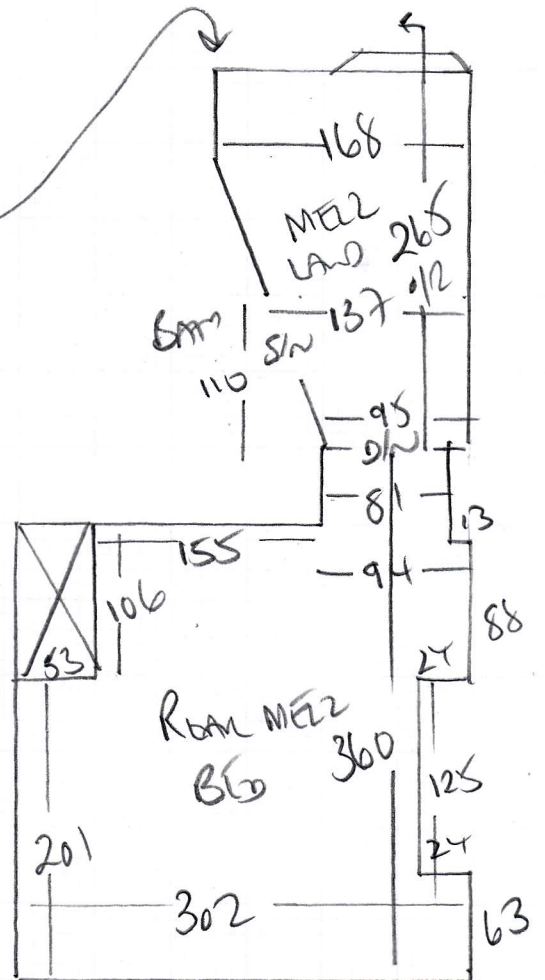
- w1 65x92
- w2 75x105
- w3 60x67



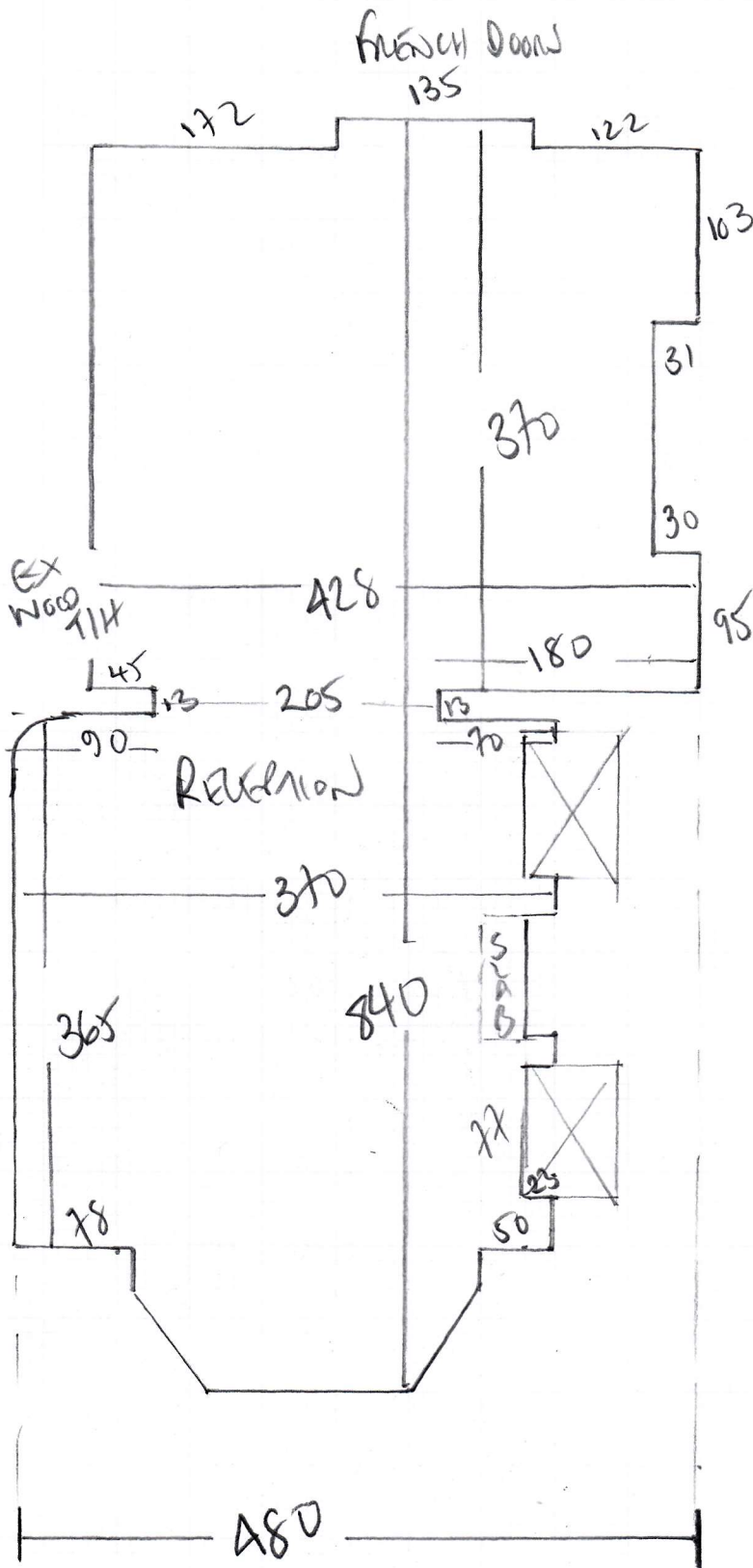


P29169
 HACK
 AS Bloomwood Rd
 SW 11 & HV

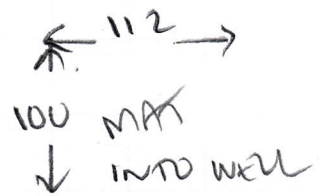
To wood floor
 HACK
 BLW 42x98
 ↑ 117
 42x82



P29169
 HALLWAY
 45 Broomwood Rd
 SW 116TH



CON MAX TO ENTRANCE



P29169

2nd call of 3

Notes for Measure

Estimator: Colin

Mr Anthony Hackin, 45 Broomwood Road

Date of Measure: Thu, 1 Aug 19

At: 10am MEET

Site Address:

45 Broomwood Road

Customer Address:

25b Eckstein Street

LONDON

SW11 6HU

LONDON

SW11 1QE

CONTACT: Tom Crouch (Agent) 07801 185932

Mobile	Home	Office
07976-374426		N/P

Email: ahackin@hotmail.com

Areas to be done and Description of Measure

Double Reception, S/L & 5 beds for carpet to select. (Cust. to call into the showroom to confirm selections post measure)

Instructions and Estimators comments

Call Estate Agent "Tom Crouch" when on way to advise ETA & he will meet you at the house

Uplift -
 front bed Trust on Rubber + H/Bead
 Middle bed Trust on PU foam
 Top bed Trust on Rubber + H/Bead
 Left bed Trust on Rubber + Plywood
 Sub-floor
 Reception Trust on Uplift.

Must Read!

RING TOM ON WAY 07801-185932

Office Ref: P29169

Mr Anthony Hackin, 45 Broomwood Road

Date of Measure Thu, 1 Aug 19

At 10am MEET

Floor: Wood / Concrete / other H/SCAND DOWN IN SOME AREAS

S/edge: Wood/Concrete/No pin/existing (if existing, allow ___ sticks to supplement where necessary)

Sticking Req'd: Yes/No No Type: Fastset/Other

Underlay: Re-use Existing / New required

Type: 42oz Felt / Fomalux / PU Foam / Luxury PU Foam / LowTog / Durafit

Doorbars: Alloy / Satin Ali / Polished Ali / Anod / Solid Brass / Chrome / Nisheen Seam/Wood/T/Holds: colour _____

Door Clearance: OK / Low (advise on quote)

Uplift: No / Yes (if "Yes" - what type?) JUST PILES - VARIOUS PLANT ON VARIOUS RUBBERS + PU FAMS

Furniture: No/Yes (if YES, please specify the following) - 1 man / 2 men (Fitter to get paid) £ NO total/per room TO BE CLEAR?

Parking Cost: Free / £ 3.00 per hour

Parking Restrictions: (type) / £ RING GO

Congestion Zone: No / Yes

Access: Easy / Hard / 2 men req'd / Ground - 2nd floor floor?

Runners: ~~Whipping~~ / Binding (if binding, specify type)

Tape size: ~~1 1/2"~~ / 2" / 3" / 5"

Style: ~~Top~~ taping / Side binding

Stairrods: Type _____ Nr _____ Size _____

CUSTOMER NOT EXCHANGED CONTRACTS MET - AT TIME OF MEASURE + NO SELECTIONS MADE ON CARPETS?

Must Read: RING TOM ON WAY 07801-185932