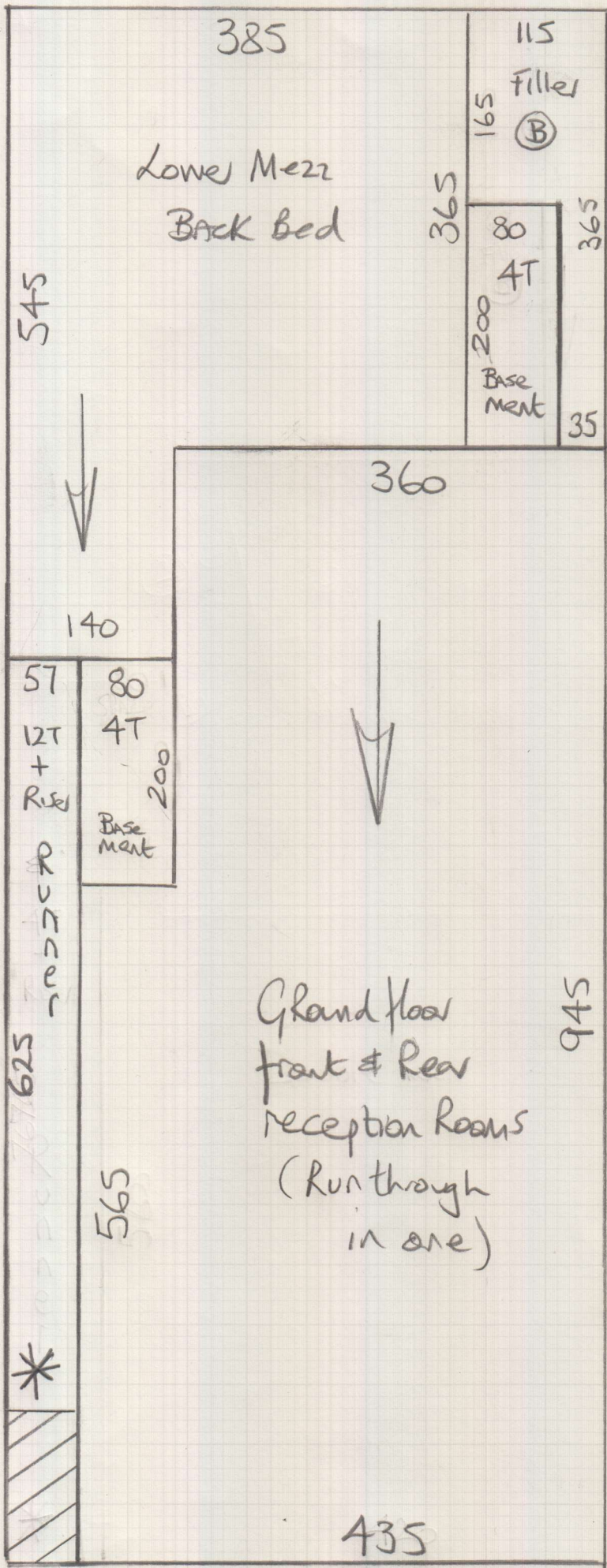


①



mrcarpet
 Job No: P29414
 Name: Rubix Construction
 Address:
 Tel:
 Sheet: of:

Arabica
Col. Platinum

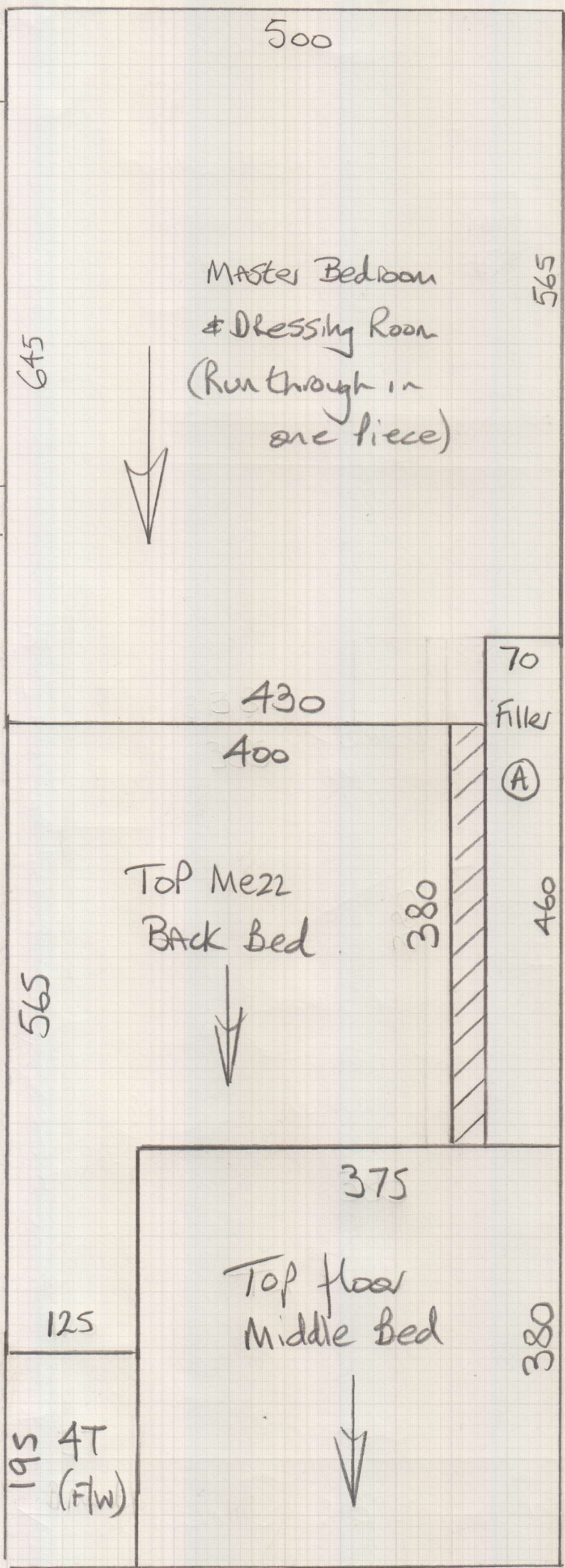
- Cut Plan ① 1310x500
 - Cut Plan ② 14.05x500
 - Cut Plan ③ 590x500
 - Cut Plan ④ 585x500
 - Cut Plan ⑤ 425x500
- = 43.15x500
 = 215.75m²

Heavy Rubber to Run on 1st flight only & Lux PU v/lay to all remaining areas

* Cut Runner @ 57cm at width

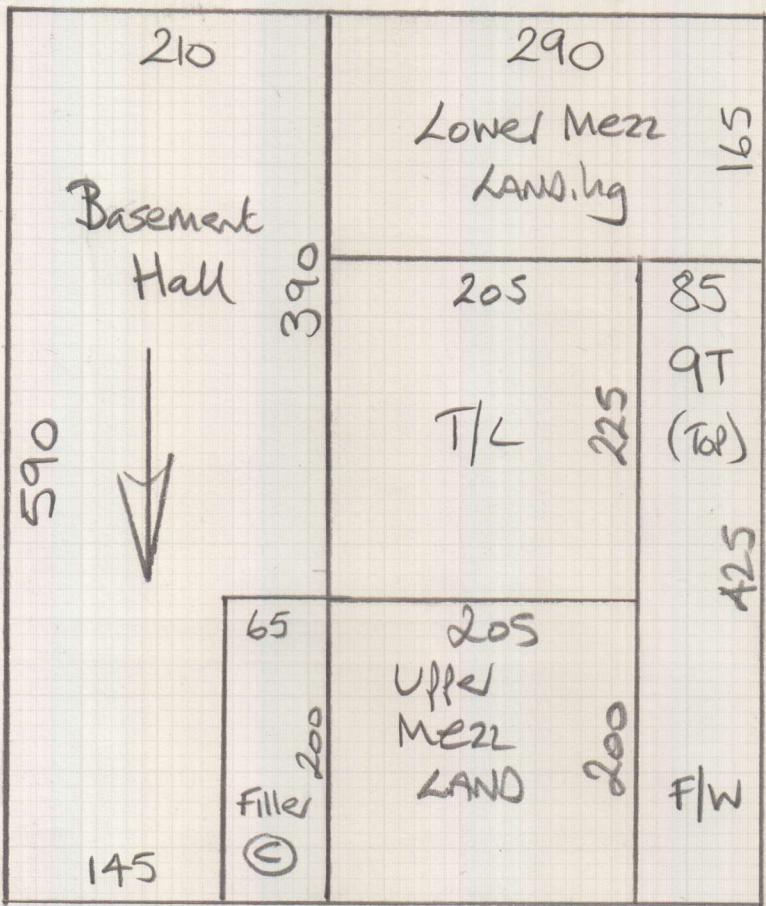
②

65
B
35
65
C



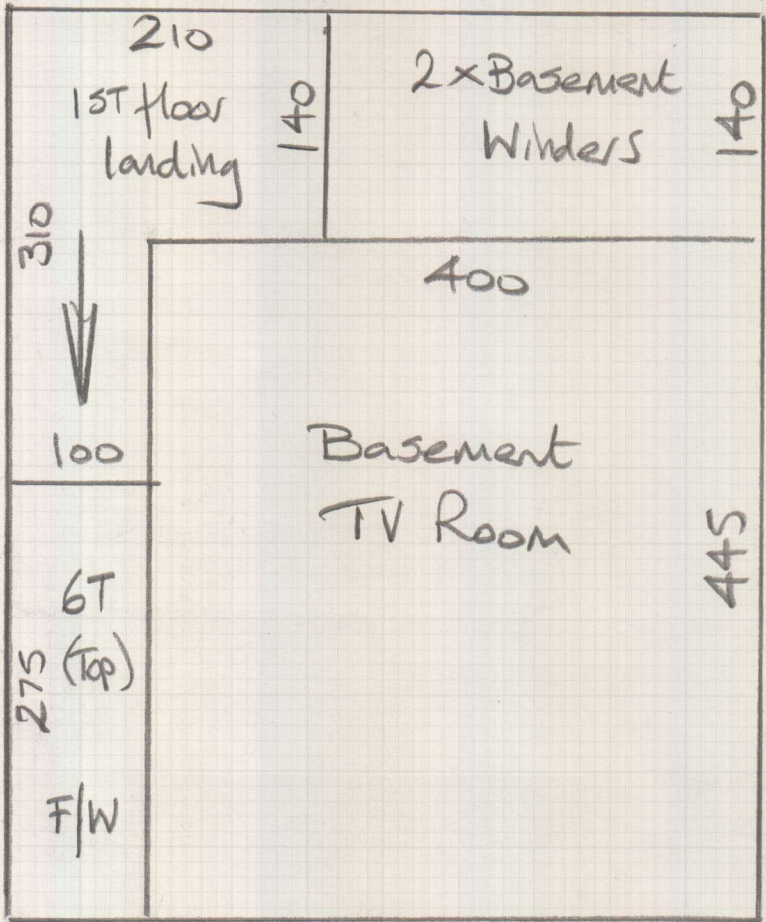
mrcarpet
 Job No: P29414
 Name: Rubix Construction
 Address: _____
 Tel: _____
 Sheet: _____ of: _____
Arabica
Col. Platinum

③



mrcarpet
 Job No: P29414
 Name: Rubix Construction
 Address: _____
 Tel: _____
 Sheet: _____ of _____

④



5

70

500

Filled

A

TOP floor
front Bedroom

425

425

mrcarpet

Job No: P29414
Name: Rubix Construction
Address:
Tel:
Sheet: of:

FRONT

557

192

(A)

Top floor front bed

413

167

363

D/N 196

Top floor Middle Bed

D/N

216

Top LAND

363

60

45x71 +TURN

90

14x71 +TURN

Full width

Full width

upper Mezz LAND 183 185

BATH (No Tiles yet)

D/N 115

555

370

Top Mezz Back Bed

374

mrcarpet

P29414

Job No:

Name:

Rubix Construction

Address:

Tel:

Sheet:

of:

Job No: P29414
 Name: Rubix Construction
 Address: _____
 Tel: _____
 Sheet: _____ of _____

