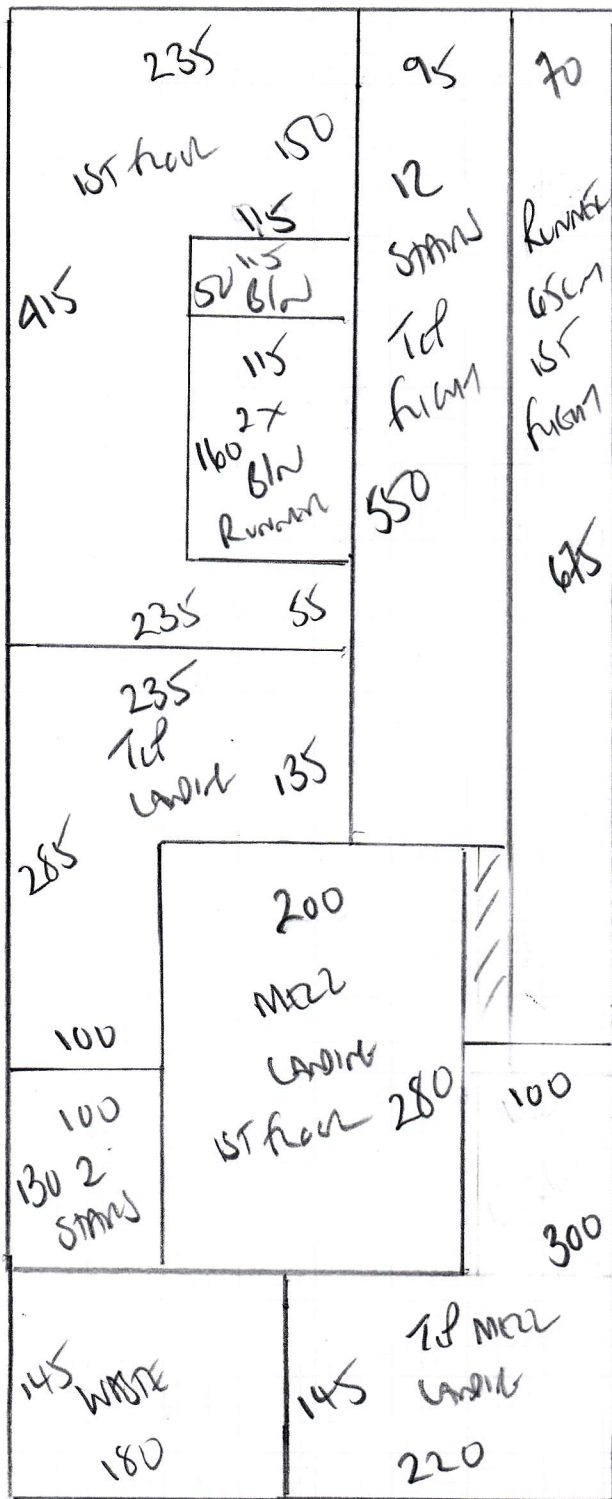


P29446  
 HOWARD  
 20 RAVENSWAY RD  
 SW12 8RY



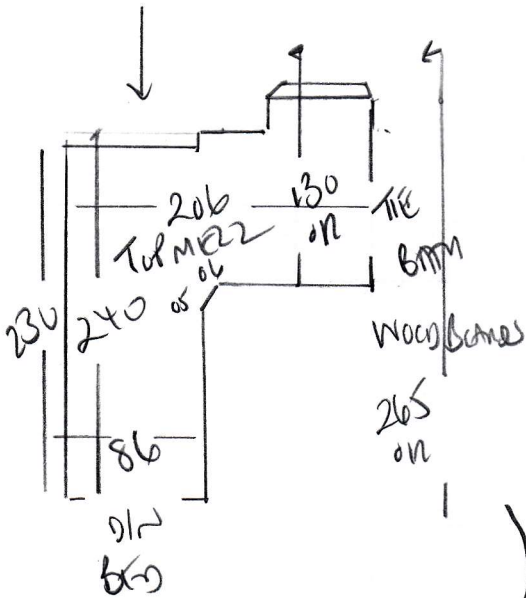
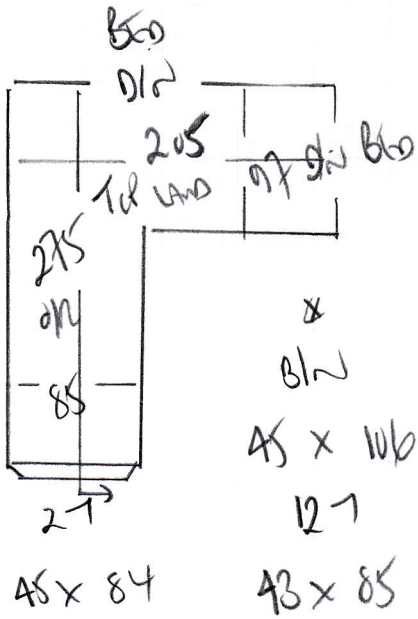
STAIRS + LANDINGS  
1st floor to Ground floor  
Runway 65cm to 1st floor

15LAM  
 Colored Doorkin

RAW 975 x 400  
 39m<sup>2</sup>

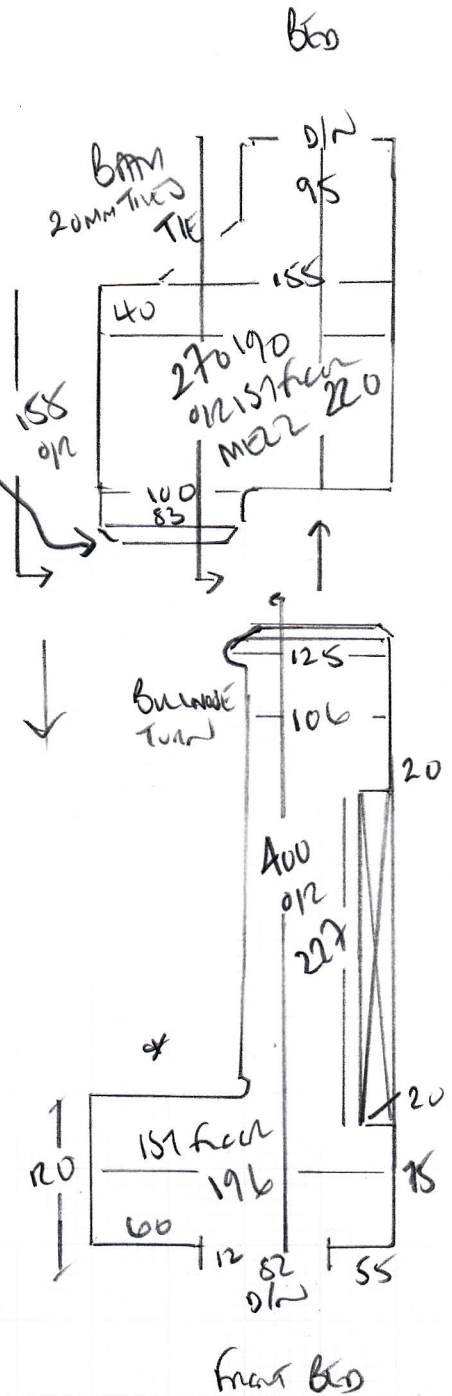
65cm Runway to 1st floor  
 TAKE Colored 3045 CALIBRA

P29446  
 HOWARD  
 20 RAVENSGEAR ROAD  
 SW12 8RY



65cm  
 RUMBLE  
 TAPED  
 TEMPLATE  
 BRUNNERS  
 ON SITE

- ↓ WIRES HERE
- RIVEN
- 20 x 85
- 197
- 48 x 85
- B/W 75 x 90
- B/W 75 x 110
- TO HALL



**P29446**

**2nd call of 3**

**Notes for Measure**

**Estimator: Colin**

**Mr Andrew Howard, 20 Ravenslea Road**

**Date of Measure: Thu, 16 Jan 20**

**At: 10-11**

**Site Address:**

**20 Ravenslea Road  
Balham**

**LONDON**

**SW12 8RY**

**CONTACT: As customer details**

Mobile

Home

Office

**07899-062546**

**Customer Address:**

*20 Ravenslea Road*

*Balham*

*LONDON*

*SW12 8RY*

**Email:**

*andrewmichaelhoward@hotmail.com*

**Areas to be done and Description of Measure**

Stairs x 2 / Landings x 3 ( C/C Landings runner on 1st stair run ) 14.50 x 4m on Res

**Instructions and Estimators comments**

Islay - Doeskin 4m wide / Tape for runner 3045 Calibra

**Must Read!**

**Andrew at home**

**Office Ref: P29446**

Mr Andrew Howard, 20 Ravenslea Road

Date of Measure Thu, 16 Jan 20

At 10-11

Floor:  Wood / Concrete / other \_\_\_\_\_  
 S/edge:  Wood / Concrete / No pin / existing (if existing, allow \_\_\_ sticks to supplement where necessary)  
 Sticking Req'd: Yes /  No Type: Fastset / Other  
 Underlay: Re-use Existing /  New required  
 Type: 42oz Felt / Fomalux / PU Foam /  Luxury PU Foam /  LowTog / Durafit  
 Doorbars:  Alloy / <sup>of wood</sup> Satin Ali / Polished Ali / Anod / Solid Brass / Chrome / Nisheen Seam / Wood / T / Holds: colour \_\_\_\_\_  
 Door Clearance: OK /  Low (advise on quote)  
 Uplift: No /  Yes (if "Yes" - what type?) 1mst on wood floor  
 Furniture:  No / Yes (if YES, please specify the following) - 1 man / 2 men (Fitter to get paid) £ \_\_\_\_\_ total/per room  
 Parking Cost:  Free / £ \_\_\_\_\_ per hour  
 Parking Restrictions: (type) / £ 1030-1130 AM TENTS ONLY  
 Congestion Zone:  No / Yes  
 Access:  Easy / Hard / 2 men req'd / 2nd-2nd floor?  
 Runners: Whipping /  Binding (if binding, specify type)  
 Tape size: 1½" / 2" / 3" /  5"  
 Style:  Top taping / Side binding  
 Stairrods: Type X Nr X Size X

**Must Read: Andrew at home**