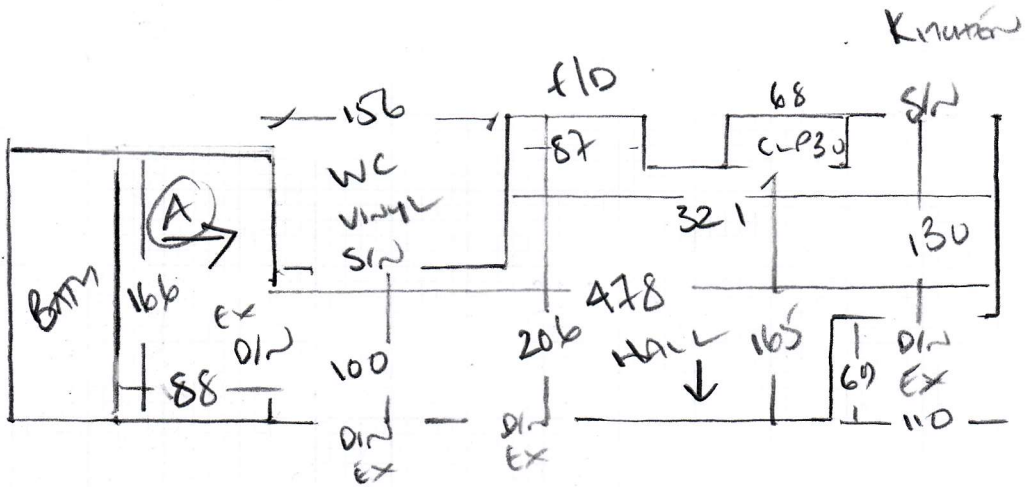
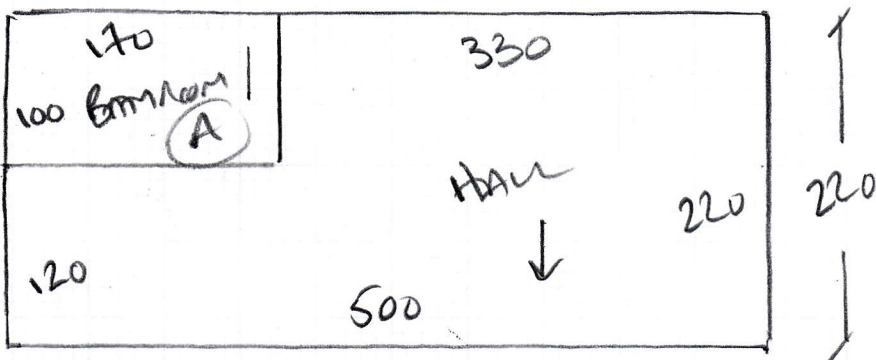


Concrete floors (Ex Council Block?)  
 white timber on old RUBBER (Moms!!)  
 Existing ANCO BARS (old + SCAFFOLD)

P29996  
 CAMBER  
 134 Working Case  
 off Priority Lane  
 SWISSLO



Current Plan



**P29496**

1st call of 1

**Notes for Measure**

Estimator: Colin

**Ms Katie Campbell, 134 Woking Close**

**Date of Measure: Tue, 11 Feb 20**

**At: 10-11 Ring on way**

**Site Address:**  
134 Woking Close

**Customer Address:**  
55 Festing Road

**LONDON SW15 5LD**

**LONDON SW15 1LW**

**CONTACT: As customer details**

Mobile	Home	Office
07538-889290		

**Email:**  
katiegcampbell@gmail.com

**Areas to be done and Description of Measure**  
RENTAL PROPERTY - Hall & Bath for carpet to select.

**Instructions and Estimators comments**

Cust ordered vinyl for Bath for others to fit but can't - may want us to fit all cpt or vinyl + cpt?

*! CUSTOMER WILL KEEP VINYL  
FOR USE AT LATER DATE.*

**Must Read!**

**RING CUSTOMER ON WAY TO MEET**

**Office Ref: P29496**

Ms Katie Campbell, 134 Woking Close

Date of Measure Tue, 11 Feb 20

At 10-11 Ring on way

Floor: Wood / Concrete / other \_\_\_\_\_

S/edge: Wood/Concrete/No pin/existing (if existing), allow 2 sticks to supplement where necessary)

Sticking Req'd: Yes/No Type: Fastset/Other

Underlay: Re-use Existing / New required

Type: 42oz Felt / Fomalux / PU Foam / Luxury PU Foam / LowTog / Durafit

Doorbars: Alloy / Satin Ali / Polished Ali / Anod / Solid Brass / Chrome / Nisheen Seam/Wood/T/Holds: colour USE EXISTING (OLD + SCRATCHED)

Door Clearance: OK / Low (advise on quote)

Uplift: No / Yes (if "Yes" - what type?) JUST LIKE AN OLD RUBBER  
MATT DAMAGED IN HALLWAY

Furniture: No/Yes (if YES, please specify the following) - 1 man / 2 men (Fitter to get paid) £ \_\_\_\_\_ total/per room

Parking Cost: Free / £ \_\_\_\_\_ per hour

Parking Restrictions: (type) / £ \_\_\_\_\_

Congestion Zone: No / Yes

Access: Easy / Hard / 2 men req'd / 1st floor? PORCHWAY!  
50-100 YARDS FROM ROAD

Runners: X Whipping / Binding (if binding, specify type)

Tape size: 1 1/2 / 2" / 3" / 5"

Style: X Top taping / Side binding

Stairrods: Type X \_\_\_\_\_ Nr \_\_\_\_\_ Size \_\_\_\_\_

CUSTOMER ADVISED THAT WE DO NOT DISPOSE OF MATT DAMAGED CARPETS ON SITE

Must Read: RING CUSTOMER ON WAY TO MEET

Office Ref: P29496