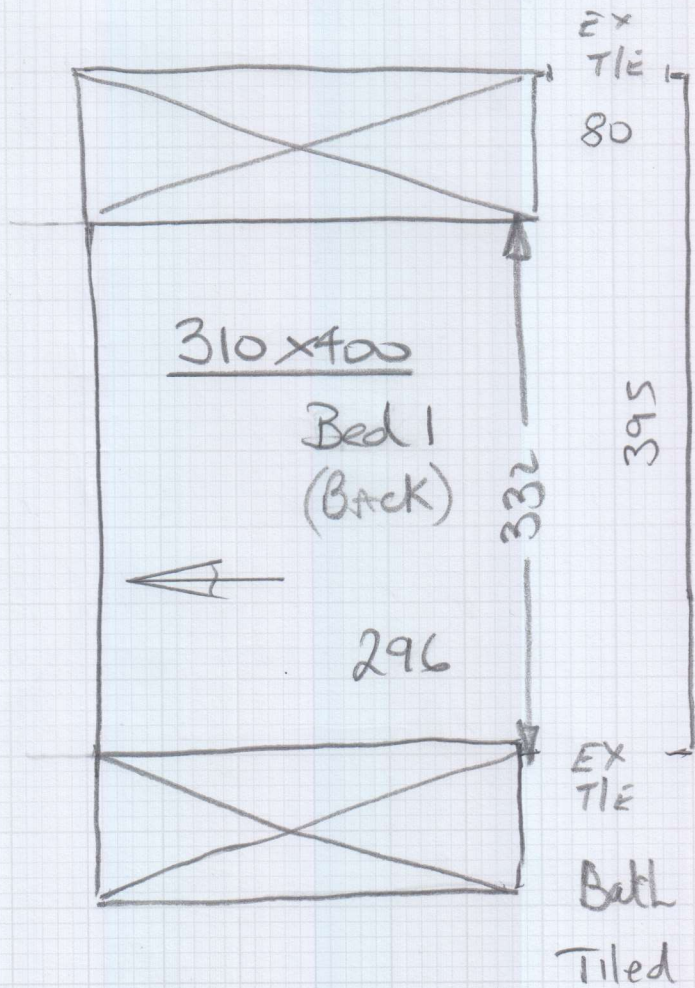


Keys from TRAKA

Hall
ENGWOOD



mrcarpet

Job No: P29517

Name: Hdwe

Address:

Tel:

Sheet: 1 of 1

SWING 'Clearance'

Col. 104.

Bed 1 310 x 400

Bed 2 265 x 400

575 x 400

= 23m²

u/Lay = 20.50m²

W/ft wool loop
stuck to Cloud 9
u/Lay which has
been tackified.

Currently No ste
filled.