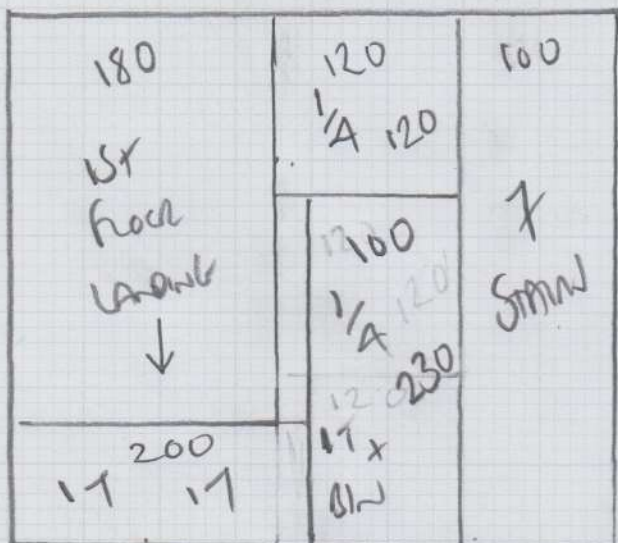


Job No: P2967A
 Name: SINGH
 Address: 16 FAIRDAVE GARD
 SWIS 6074
 Tel:
 Sheet: of



Mississippi Smile
 Colour 104

P29674

1st call of 3

Notes for Measure

Estimator: Colin

Mr & Mrs Singh, 16 Fairdale Gardens

Date of Measure: Wed, 5 Aug 20

At: Not entered

8:30AM - 9:00AM

Site Address:

16 Fairdale Gardens

Customer Address:

16 Fairdale Gardens

Bas

LONDON

SW15 6JW

LONDON

SW15 6JW

CONTACT: Mrs Singh (Mobile)

Mobile

Home

Office

07958-908615

Email:

jyotisingh@live.co.uk

Areas to be done and Description of Measure

1st Front: Woolcord Diagonal-128 PR4360. 1st Small Rear: Moorland-Cream PR4358. 1st Large Rear: Colonial Parat-Patience PR4361.

4369
375 x 500

4367

4368

380 x AM

Instructions and Estimators comments

S&L for Mississippi Stripe-104 (PR4359). Quote PU Foam + Luxury PU option. FREE U'LAY ON BED CARPETS

Must Read!

Customer will meet on site

Office Ref: P29674

Mr & Mrs Singh, 16 Fairdale Gardens

Date of Measure Wed, 5 Aug 20

At Not entered

Floor: Wood / Concrete / other _____

S/edge: Wood / Concrete / No pin / existing (if existing, allow ___ sticks to supplement where necessary)

Sticking Req'd: Yes / No Type: Fastset / Other

Underlay: Re-use Existing / New required

Type: 42oz Felt / Fomalux / PU Foam / Luxury PU Foam / LowTog / Durafit

Doorbars: Alloy / ^{al}Satin Ali / Polished Ali / Anod / Solid Brass / Chrome / Nisheen
Seam/Wood/T/Holds: colour _____

Door Clearance: OK / Low (advise on quote) *All Doors HAVE 20mm + CLEARANCE*

Uplift: No / Yes (if "Yes" - what type?) _____

Furniture: No / Yes (if YES, please specify the following) - 1 man / 2 men (Fitter to get paid) £_____ total/per room

Parking Cost: Free / £_____ per hour *OUTSIDE HOUSE - NOT IN BAYS*

Parking Restrictions: (type) / £ *NOT IN RESIDENTS ONLY BAYS*

Congestion Zone: No / Yes

Access: Easy / Hard / 2 men req'd / 1st floor?

Runners: Whipping / Binding (if binding, specify type)

Tape size: 1½" / 2" / 3" / 5"

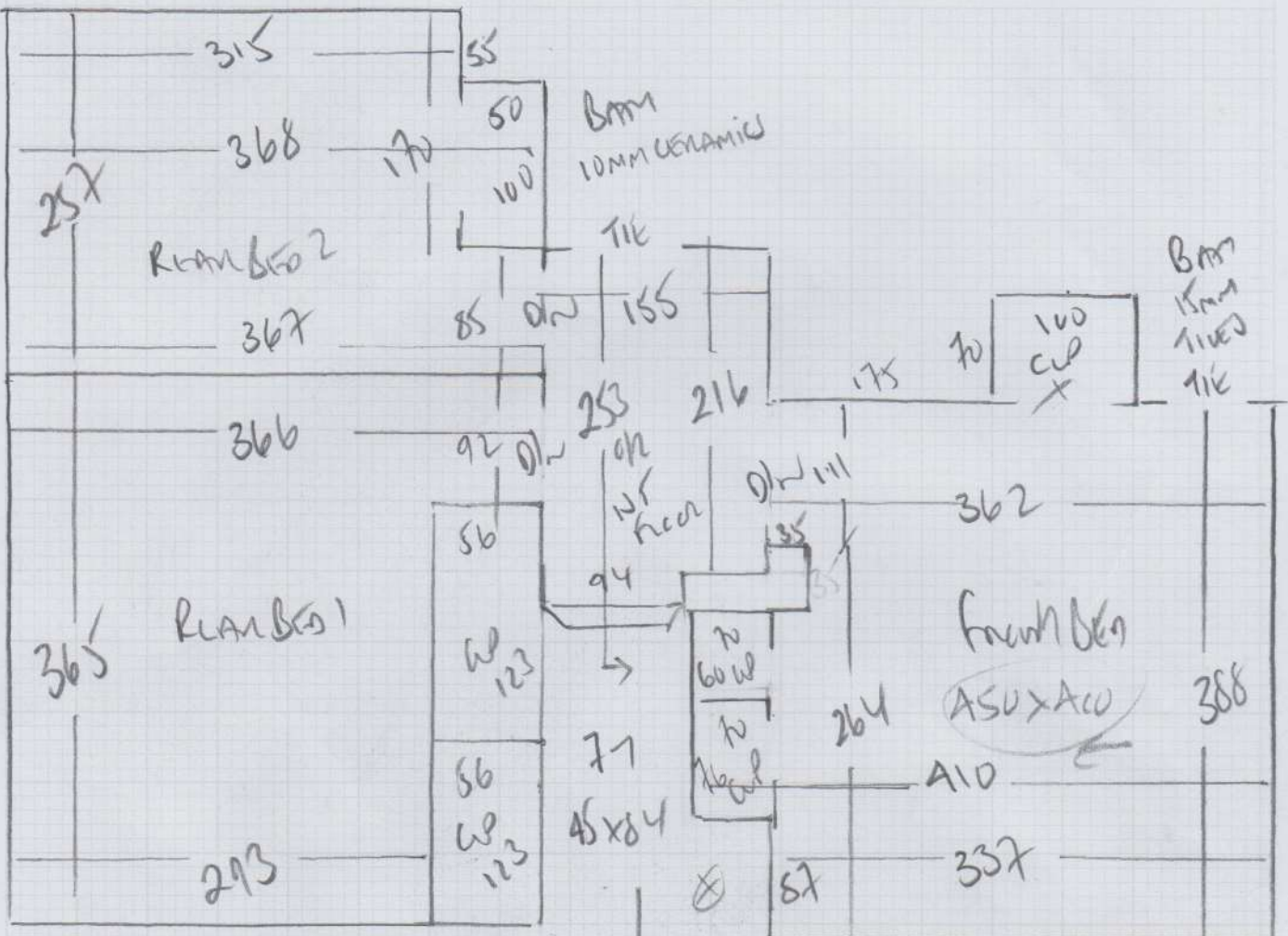
Style: Top taping / Side binding

Stairrods: Type _____ Nr _____ Size _____

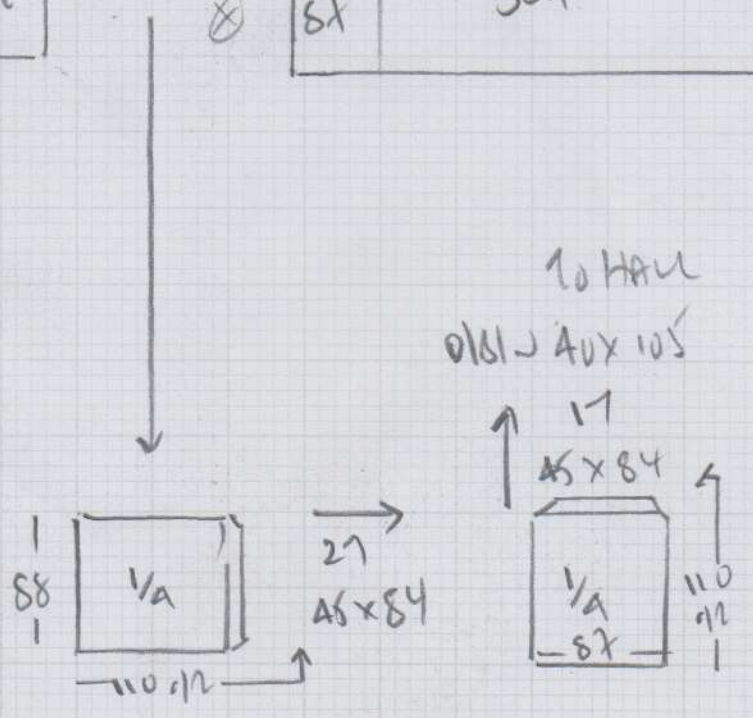
Must Read: Customer will meet on site

Office Ref: P29674

mrcarpet
 Job No: P29674
 Name: SINGH
 Address: 16 FAIRLOVE ROAD
 SWIS 6JW
 Tel:
 Sheet: of:



WOOD FLOORBOARDS
 NO WELIX
 NO FRANKLINE
 AIR BARS? / CHROME HANDLES



TO HALL
 OLD 40x105