

mrcarpet  
DESIGNS FOR KIDS

Job No: P29709  
 Name: Hjort  
 Address:  
 Tel:  
 Sheet: of:

Cut Plan  $610 \times 500$   
 $= \underline{\underline{3050m^2}}$

$V/LAY = 23m^2$

Front Bed  $435 \times 100$   
 Nursery  $355 \times 100$   
 $790 \times 100$   
 $= \underline{\underline{3160m^2}}$

$V/LAY = 23m^2$

1st floor

FRONT

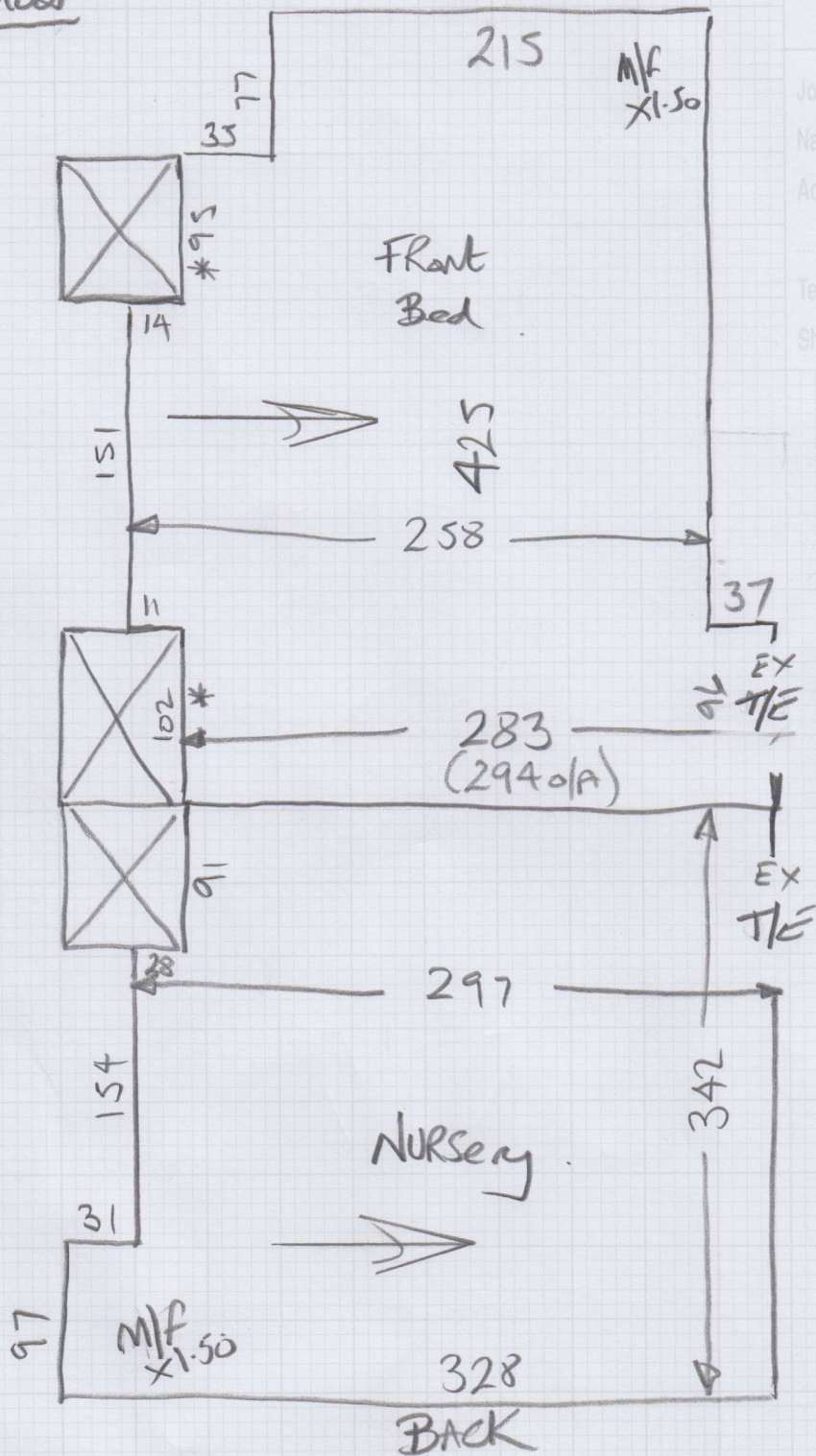
mrcarpet  
RESILIENT CARPET FLOORS

Job No: P29709  
Name: Hjoith

Address:

Tel:

Sheet: of:



1st floor landing  
(Engineered Wood)

U/D - Plain loop or 10mm pu.

Re-use mostly ex s/p + fit New around New W/Robes  
in front Bed (Approx x 3 sticks)

Re-use ex Solid BRASS D/W

\* Remove Pieces of MDF fitted in front of  
the W/Robes as these are temporary.

P29709

3rd call of 3

Notes for Measure

Estimator: Nigel

Mrs Sophie Hjorth, 18 Fanthorpe Street

Date of Measure: Tue, 18 Aug 20

At: TBA

9am

Site Address:  
18 Fanthorpe Street

Customer Address:  
18 Fanthorpe Street

LONDON SW15 1DZ

LONDON SW15 1DZ

CONTACT: As customer details

Mobile	Home	Office
07957-357109		

Email:  
sophs914@hotmail.com

Areas to be done and Description of Measure

Nursery + Additional Bedroom for carpet to select. Customer due in to showroom on 22/8 to make selection.

Instructions and Estimators comments

Please quantify & forward to branch.

Must Read!

Customer will be home

Office Ref: P29709

Mrs Sophie Hjorth, 18 Fanthorpe Street

Date of Measure Tue, 18 Aug 20

At TBA

**Floor:** Wood / Concrete / other \_\_\_\_\_

**S/edge:** Wood/Concrete/No pin/existing (if existing, allow 3 sticks to supplement where necessary)

**Sticking Req'd:** Yes/No Type: Fastset/Other

**Underlay:** Re-use Existing / New required

**Type:** 42oz Felt / Fomalux / PU Foam / Luxury PU Foam / LowTog / Durafit

**Doorbars:** Alloy / Satin Ali / Polished Ali / Anod / EXISTING Solid Brass / Chrome / Nisheen  
Seam/Wood/T/Holds: colour \_\_\_\_\_

**Door Clearance:** OK / Low (advise on quote) *Flat Bed might need a trim if Saxony Carpet Selected.*

**Uplift:** No / Yes (if "Yes" - what type?) Wood loop on 10mm pu.

**Furniture:** No/Yes (if YES, please specify the following) - 1 man / 2 men (Fitter to get paid) £ \_\_\_\_\_ total/per room *would cope* *better*

**Parking Cost:** Free / £ 270 per hour

**Parking Restrictions:** (type) / £ P40 930-430

**Congestion Zone:** No / Yes

**Access:** Easy / Hard / 2 men req'd / 157 floor?

**Runners:** Whipping / Binding (if binding, specify type)

**Tape size:** 1½" / 2" / 3" / 5"

**Style:** Top taping / Side binding

**Stairrods:** Type \_\_\_\_\_ Nr \_\_\_\_\_ Size \_\_\_\_\_

Must Read: Customer will be home

Office Ref: P29709