



KITCHEN

DINING

RISEK 25 x 60

21

47 x 64

w1 75 x 65

w2 62 x 108

w3 91 x 80

91

45 x 81

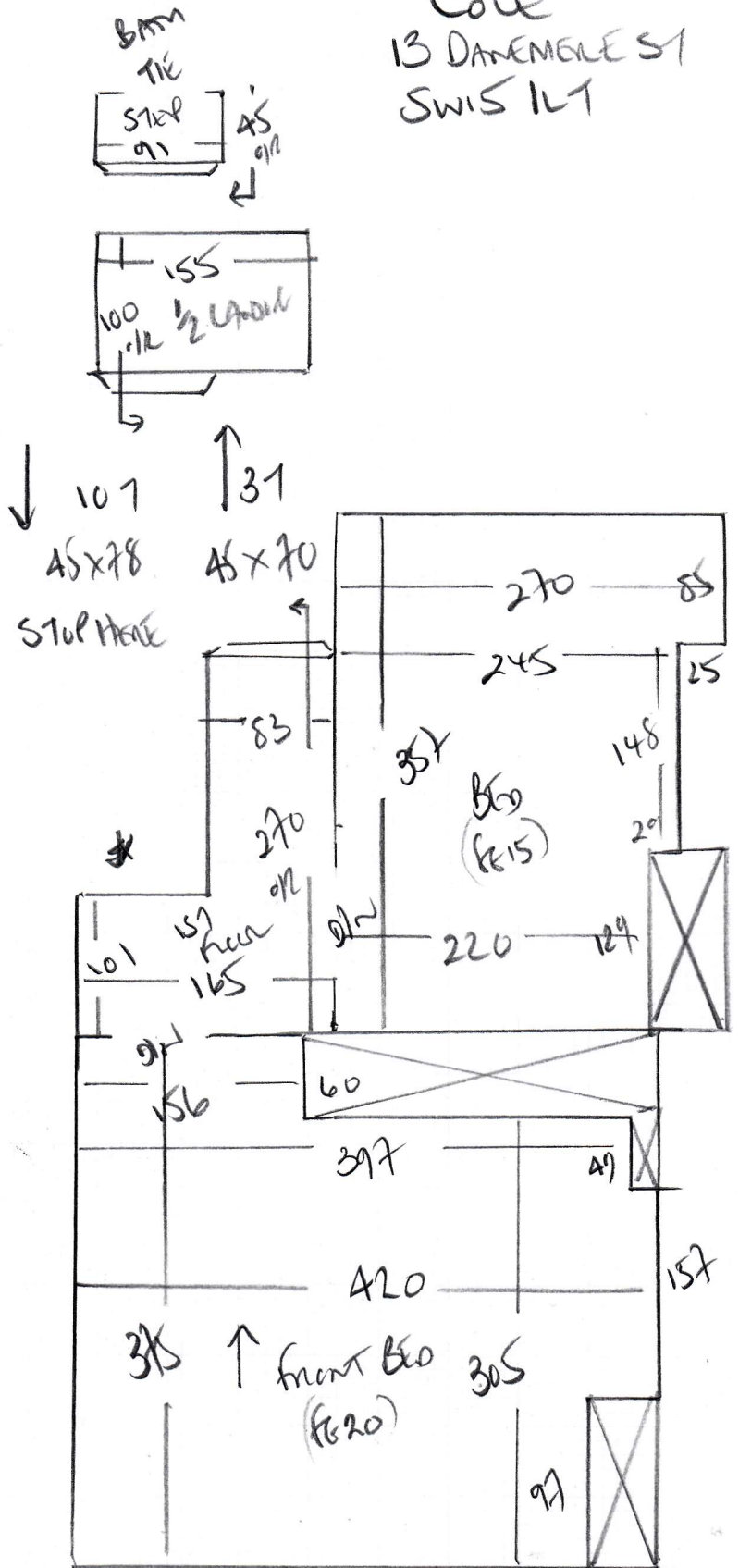
\*

P29877

COLE

13 DANEMERE ST

SWIS ILT



P29877

ISL

3rd call of 3

Notes for Measure

Estimator: Colin

Ms Sarah Cole, 13 Danemere Street

8.15-8.30

ISL

Date of Measure: Mon, 7 Dec 20

At: TBA

9.30AM-10.30AM

Site Address:

13 Danemere Street

Customer Address:

13 Danemere Street

LONDON

SW15 1LT

LONDON

SW15 1LT

CONTACT:

As customer details

Mobile

Home

Office

07958-740348

Email:

slc13@btinternet.com

Areas to be done and Description of Measure

TOP FLOOR FLAT - 2 x 1st Floor Beds, Stair & Landings for carpet to select - JACK SENT LOOP PILE PDF 26/11 & due to shop 3/12

Quote NALus - Colan NAL - R03

Instructions and Estimators comments

Full width on all stairs. Check furn/uplift.

Must Read!

Customer will be home

Office Ref: P29877

Ms Sarah Cole, 13 Danemere Street

Date of Measure Mon, 7 Dec 20

At TBA

**Floor:** Wood / Concrete / other \_\_\_\_\_  
**S/edge:** Wood/Concrete/No pin/existing (if existing, allow \_\_\_ sticks to supplement where necessary)  
**Sticking Req'd:** Yes/No Type: Fastset/Other  
**Underlay:** Re-use Existing / New required  
**Type:** 42oz Felt / Fomalux / PU Foam / Luxury PU Foam / LowTog / Durafit  
**Doorbars:** Alloy / Satin Ali / Polished Ali / Anod / Solid Brass / Chrome / Nisheen Seam/Wood/T/Holds: colour \_\_\_\_\_  
**Door Clearance:** OK / Low (advise on quote)  
**Uplift:** No / Yes (if "Yes" - what type?) \_\_\_\_\_  
2 doors only  
**Furniture:** No/Yes (if YES, please specify the following) - 1 man / 2 men (Fitter to get paid) £ 15 total/per room  
**Parking Cost:** Free / £ 290 per hour  
**Parking Restrictions:** (type) / £ link to 930-1036am  
**Congestion Zone:** No / Yes  
**Access:** Easy / Hard / 2 men req'd / 1st + 2nd floor floor?  
**Runners:** ~~Whipping~~ / Binding (if binding, specify type)  
**Tape size:** ~~1 1/2"~~ / 2" / 3" / 5"  
**Style:** ~~Top~~ taping / Side binding  
**Stairrods:** Type \_\_\_\_\_ Nr \_\_\_\_\_ Size \_\_\_\_\_

**Must Read: Customer will be home**