

SLAVE  
1\*100

P2997  
HISLIP  
13 CITRINE GOLF  
SW35Q1.

1685

CANAL TO STREET

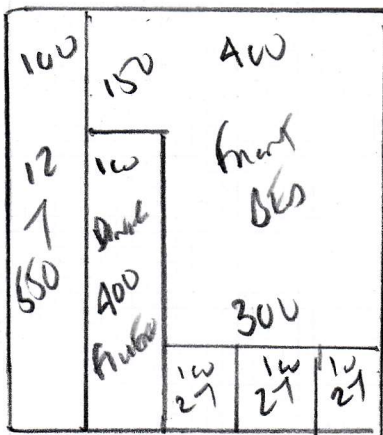
PLAN 1 1685 x 500

PLAN 2 550 x 500

REAR HALL 640 x 500

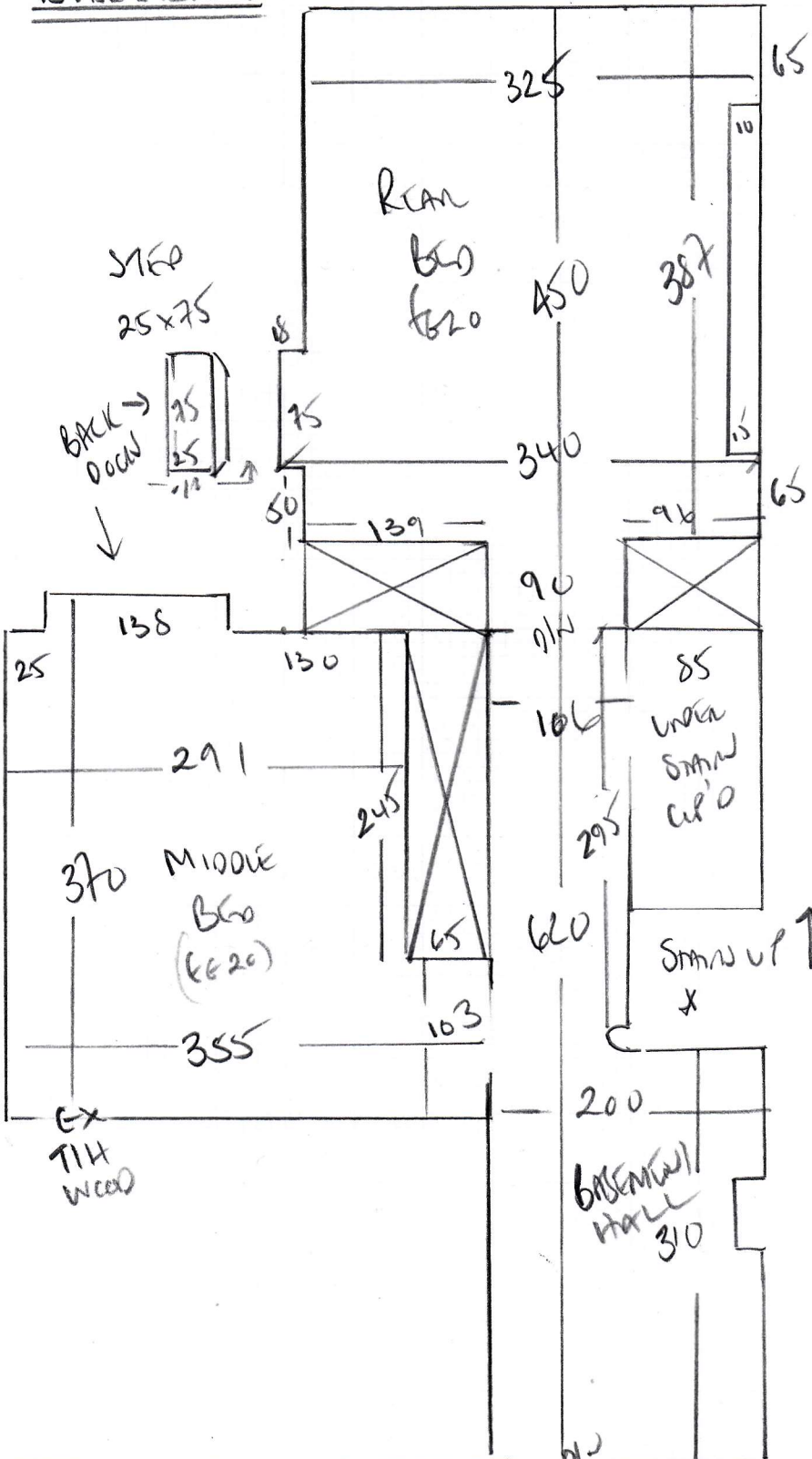
2875 x 500

14375 m<sup>2</sup>



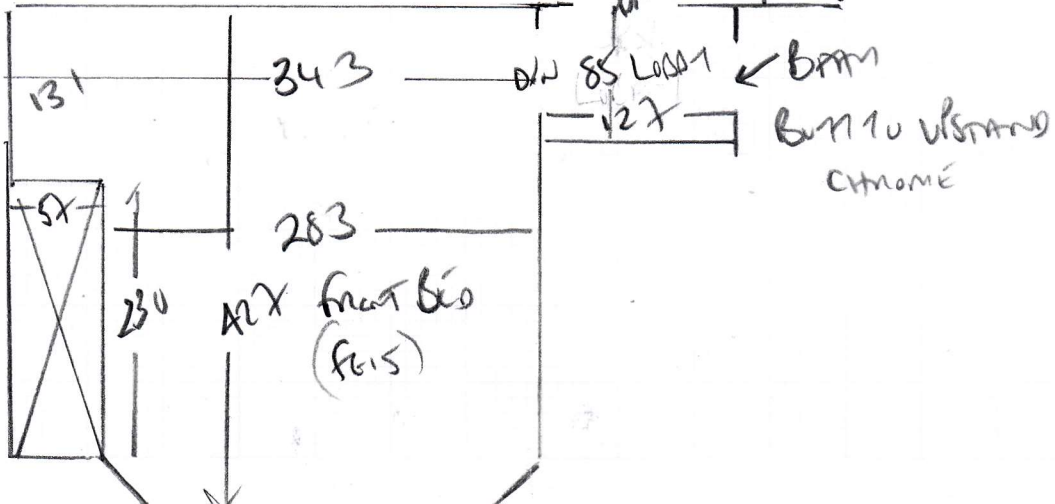
550

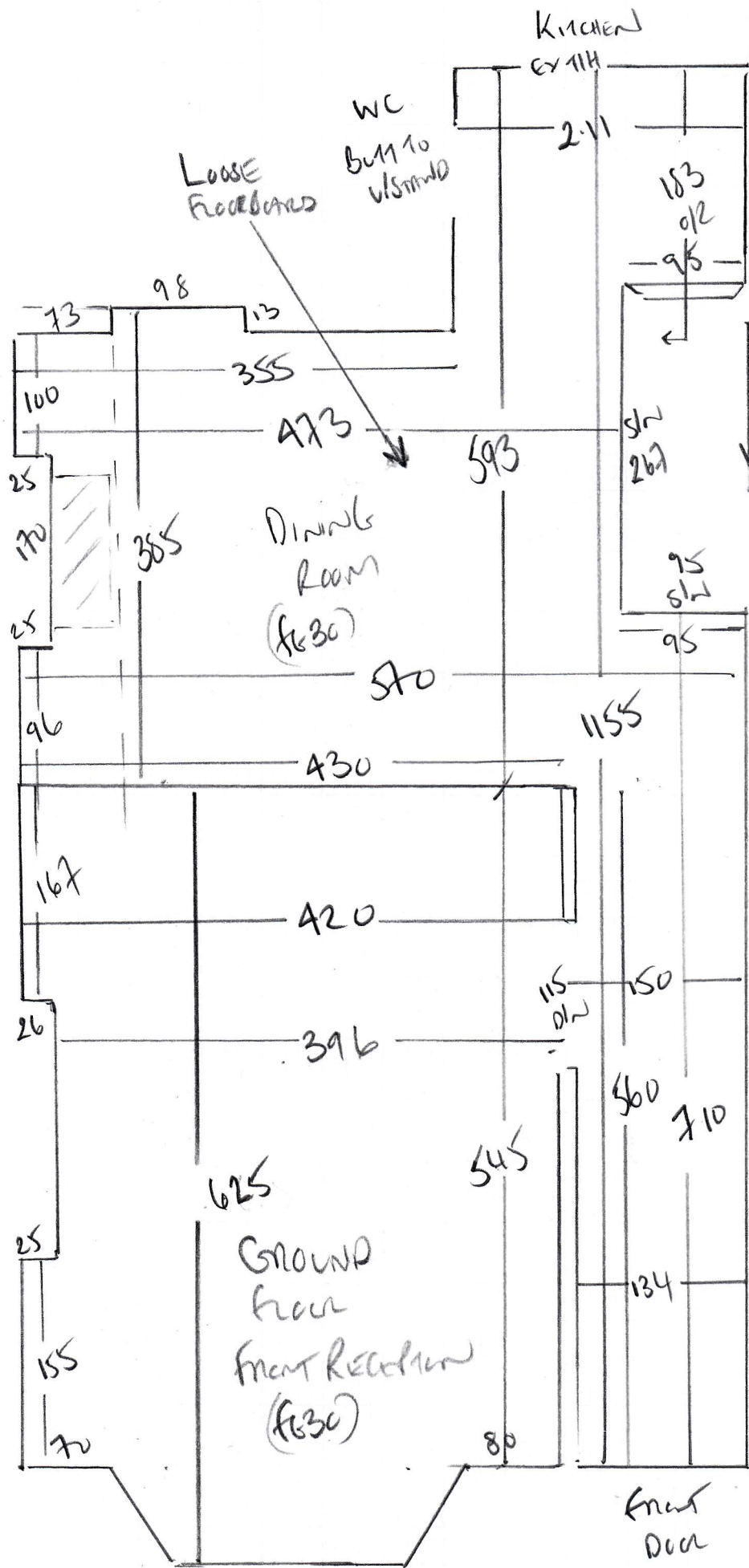
BASEMENT



P29917  
 H1504  
 13 CHROME COUS  
 SW3 5Q1

CONCRETE TRANS  
 WITH PUT FORM BUCKLE  
 ON RUBBER STRIP





P29917  
 Hisset  
 BCHENE COOK  
 SW3 5Q7

14 STANDS  
 45 x 80  
 BLN 45 x 80  
 CAN BLN AS STRAIGHT

WOOD floors  
 UP IN WOOD HEADBOARD  
 ON OLD FECT + STAGE

P29917

2nd call of 3

Notes for Measure

Estimator: Colin

DAVID + DONNA

Hislop, 13 Cheyne Gardens

Date of Measure: Thu, 21 Jan 21

At: 8.30am-9.00am

Site Address:

13 Cheyne Gardens

Customer Address:

13 Cheyne Gardens

LONDON

SW3 5QT

LONDON

SW3 5QT

CONTACT:

As customer details

Mobile

Home

Office

07985-251094

Email:

dhislop4@aol.co.uk

**Areas to be done and Description of Measure**

Maisonette: 3 Beds, Sitting Room, Dining Room, H/S/L for clearance carpet to select - JACK ORDERED CUTTINGS 11/1/21

QUOTE 1) SWING 115  
2) DESIGNER LOFT 159 } INSUFFICIENT STUCK !!

**Instructions and Estimators comments**

Stairs FULL WIDTH. Free underlay + options please.

**Must Read!**

**Customer working from home**

**Office Ref: P29917**

Ms Donna Hislop, 13 Cheyne Gardens

Date of Measure Thu, 21 Jan 21

At 9.00am-10.00am

Floor: Wood / Concrete / other Concrete

S/edge: Wood/Concrete/No pin/existing (if existing, allow \_\_\_ sticks to supplement where necessary)

Sticking Req'd: Yes/No Type: Fastset/Other

Underlay: Re-use Existing / New required

Type: 42oz Felt / Fomalux / PU Foam / Luxury PU Foam / LowTog / Durafit

Doorbars: Alloy / Satin Ali / Polished Ali / Anod / Solid Brass / Chrome / Nisheen  
Seam/Wood/T/Holds: colour \_\_\_\_\_

Door Clearance: OK / Low (OK on quote)

Uplift: No / Yes (if "Yes" - what type?) Bounce - by hand on ladder

Furniture: No/Yes (if YES, please specify the following) - 1 man / 2 men (Fitter to get paid) £ \_\_\_\_\_ total/per room

Parking Cost: Free / £ 430 per hour

Parking Restrictions: (type) / £ RING GO - NBARS

Congestion Zone: No / Yes

Access: Easy / Hard / 2 men req'd / \_\_\_\_\_ floor?  
Grass + lower ground

Runners: X Whipping / Binding (if binding, specify type)

Tape size: 1 1/2" / 2" / 3" / 5"

Style: X Top taping / Side binding

Stairrods: Type X \_\_\_\_\_ Nr \_\_\_\_\_ Size \_\_\_\_\_

**Must Read: Customer working from home**