

mrcarpet

Job No: P30037
 Name: Robinson

Address:
 Tel:
 Sheet: of:

$$\text{Cut Plan } 580 \times 400$$

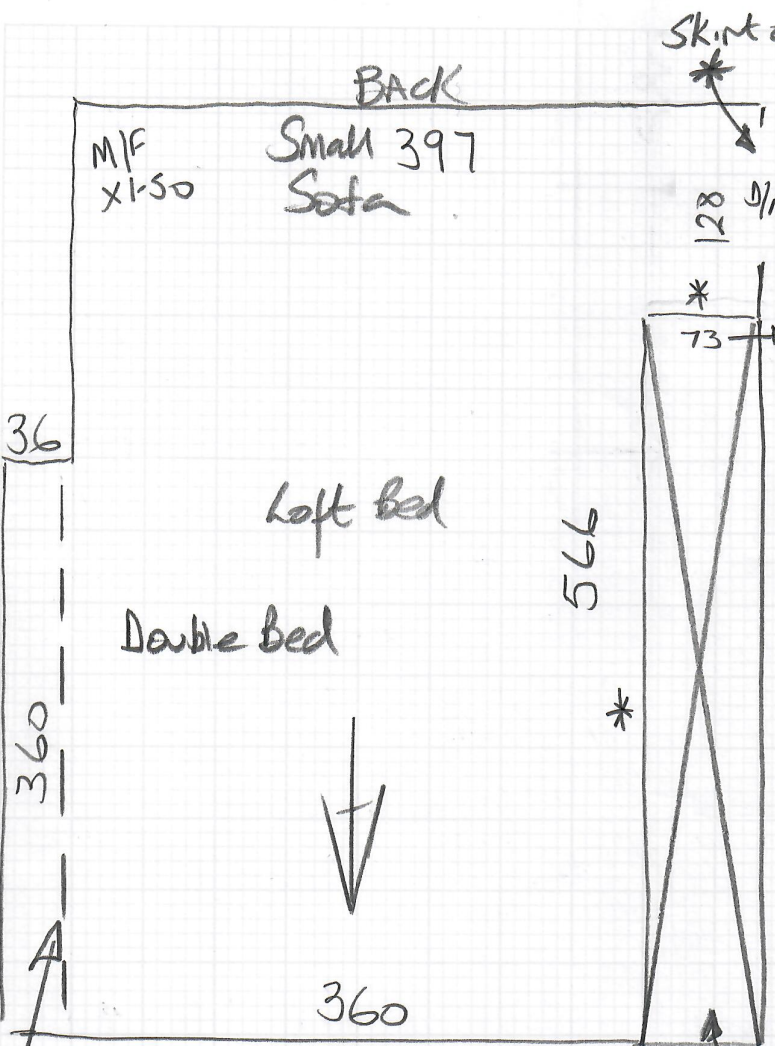
$$= \underline{23.20\text{m}^2}$$

$$\text{u/Lay} = 22.50\text{m}^2$$

$$\text{1st floor front Bed } 555 \times 400$$

$$= \underline{22.20\text{m}^2}$$

$$\text{u/Lay} = 18\text{m}^2$$

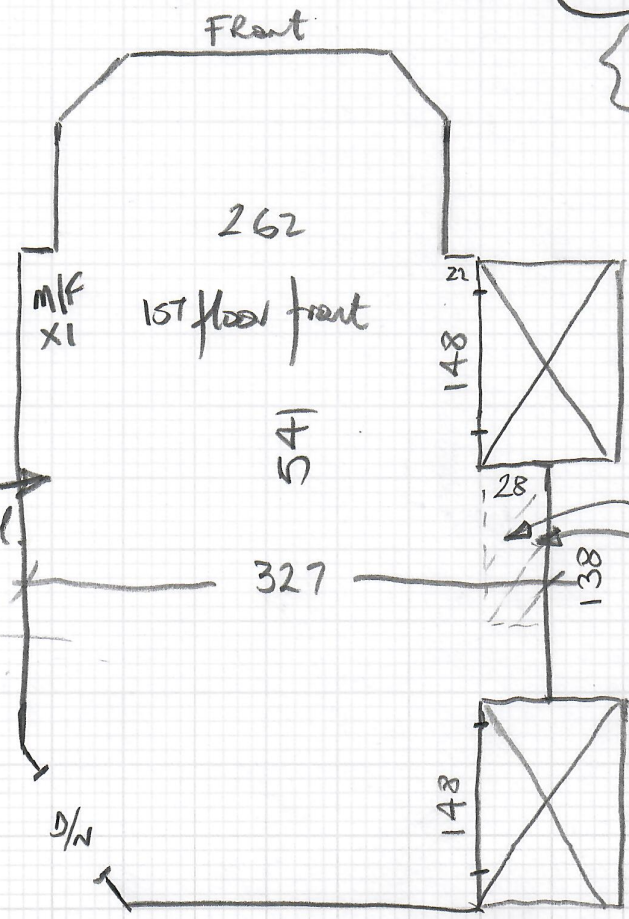


mrcarpet
 Job No: P30037
 Name: Robinson
 Address:
 Tel:
 Sheet: of

* New slie Req
 U/D twist on felt
 Mostly ex slie + New
 around felled w/ Ropes
 Door tight to ex cfr.
 Tight access up
 Loft stairs

Fitted cupds are
 Built out of ex cupds
 Fit New slie *

Seam Here
 Mostly under
 the Bed



New slie Req Here
 Part Tiled / Part Wool
 Customer to get Builder
 to remove ex tiles &
 level the floors

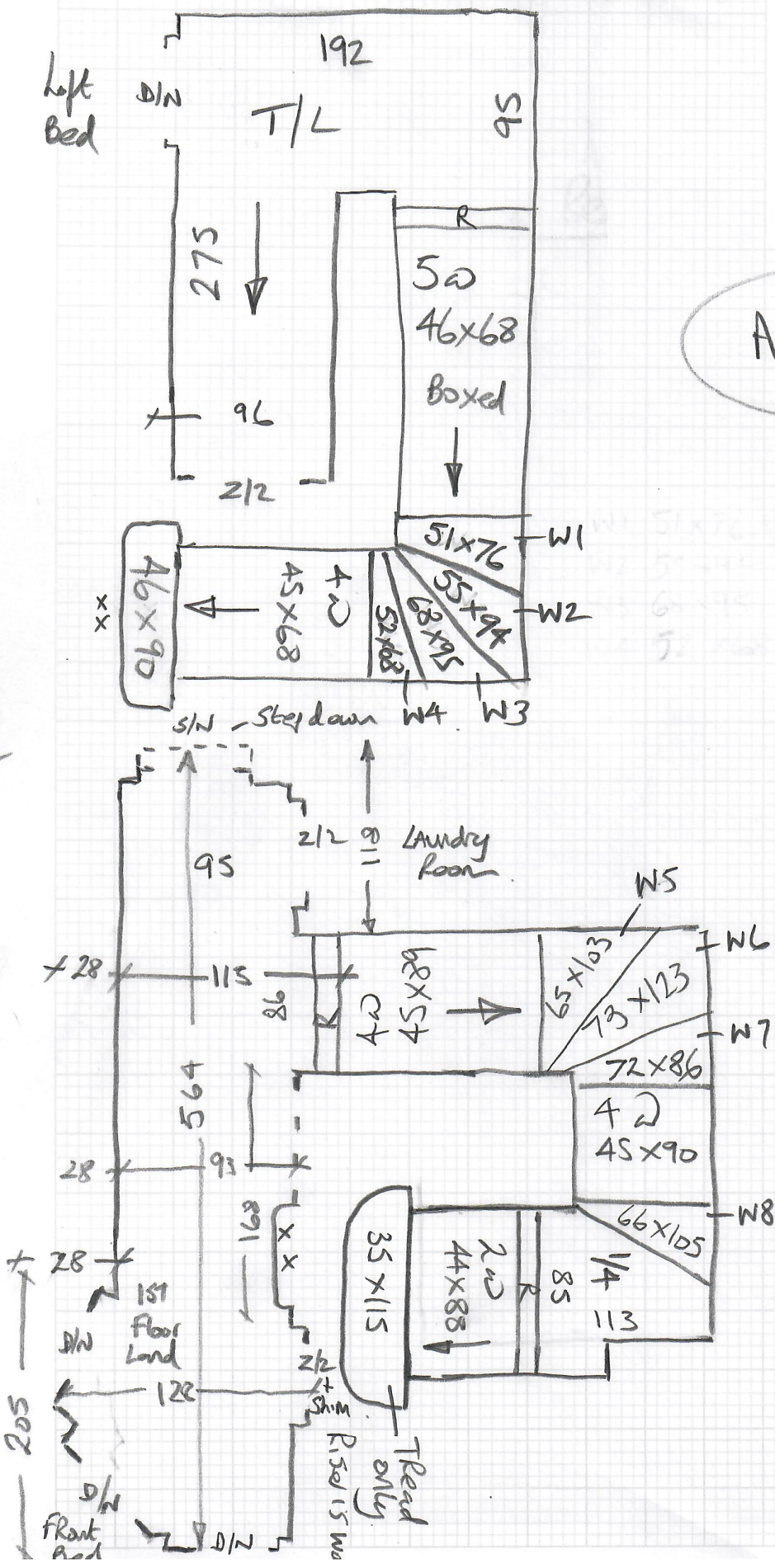
U/D Wool Twist on 8mm
 Pu form hid over H/B
 Doors OK

* Keep on file for future Ref: *

Job No: Robinson
 Name: Robinson
 Address: 43 Dora Road
 SW19 7E2
 Tel: _____
 Sheet: _____ of _____

Awaiting Selection

115
87



ULD Wool Twist
 on 8mm Pa
 Re-use Mostly
 exsle.
 EXBALS are Ali.
 STAIRS currently
 fitted Full width

P30037

1st call of 2

Notes for Measure

Estimator: Jack

Mrs Rachel Robinson, 43 Dora Road

Date of Measure: Tue, 27 Apr 21 *Mon 26/4*

At: ~~Not entered~~ *8:30am*

Site Address:
43 Dora Road

Customer Address:
43 Dora Road

LONDON SW19 7EZ

LONDON SW19 7EZ

CONTACT: As customer details

Mobile	Home	Office
07919-186876		N/P

Email:
rachel.robinson74@gmail.com

Areas to be done and Description of Measure

Two bedrooms - VISITING PUTNEY SHOP TUESDAY 27/4 @ 9am TO SELECT

** Customer Also asked me to measure the s/l whilst on site for future ref.*

Instructions and Estimators comments

Sloane Twist 5027 (sample sent to confirm)

Must Read! Rachel working from home

Office Ref: P30037

Mrs Rachel Robinson, 43 Dora Road

Date of Measure Tue, 27 Apr 21

At Not entered

Floor: Wood / Concrete / other _____

S/edge: Wood / Concrete / No pin / existing (if existing, allow ___ sticks to supplement where necessary) *Heartz mostly*

Sticking Req'd: Yes / No Type: Fastset / Other *Heartz in 1st floor front Bed*

Underlay: Re-use Existing / New required *Not specified yet*

Type: 42oz Felt / Fomalux / PU Foam / Luxury PU Foam / LowTog / Durafit *? 80*

Doorbars: Alloy / Satin Ali / Polished Ali / Anod / Solid Brass / Chrome / Nisheen
Seam/Wood/T/Holds: colour _____

Door Clearance: OK / Low (advise on quote) *1st floor left*

Uplift: No / Yes (if "Yes" - what type?) *TWIST on u/LAY*

Furniture: No / Yes (if YES, please specify the following) - 1 man / 2 men (Fitter to get paid) £ 35 total/per room *1st floor left*

Parking Cost: Free / £ _____ per hour

Parking Restrictions: (type) / £ *permits only 11am-3pm (maybe able to PARK on Small Drive)*

Congestion Zone: No / Yes

Access: Easy / Hard / 2 men req'd / _____ floor? *1st floor Portage x1.*

Runners: Whipping / Binding (if binding, specify type)

Tape size: 1½" / 2" / 3" / 5"

Style: Top taping / Side binding

Stairrods: Type _____ Nr _____ Size _____

Must Read: Rachel working from home

Office Ref: P30037