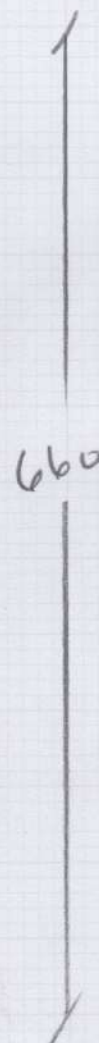


Job No: P30109  
 Name: SLOVEN  
 Address: 27 HENDERSON  
 SW6 5ED  
 Tel:  
 Sheet: of:



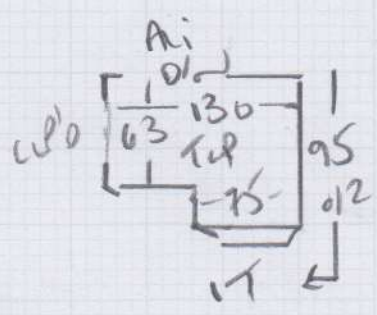
STAIRS + LANDING  
107 floor to Grand floor

NEW HOME INST  
 Local London

Plan 660 x 400

2640 m<sup>2</sup>

Job No: P30109  
 Name: SCOVERL  
 Address: 27 Handover Road  
 SW6 5ED  
 Tel:  
 Sheet: of:



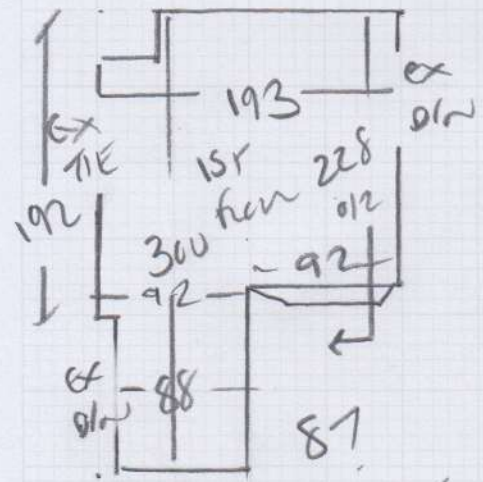
45 x 77

- w1 56 x 85
- w2 55 x 103
- w3 80 x 103
- w4 55 x 74
- w5 60 x 85
- w6 60 x 110
- w7 75 x 100
- w8 55 x 76

31

45 x 76

Blw 45 x 100



\* 45 x 75

w9 75 x 105

w10 90 x 116

w11 68 x 77

27

45 x 76

To Ground floor

P30109

2nd call of 3

Notes for Measure

Estimator: Colin

Ms Lourdes Scovell, 27 Horder Road

Date of Measure: Tue, 22 Jun 21

At: am 9:30 - 10:00 AM

Site Address:  
27 Horder Road

Customer Address:  
27 Horder Road

LONDON SW6 5ED

LONDON SW6 5ED

CONTACT: As customer details

Mobile	Home	Office
07920-060617	N/P	N/P

Email:  
lourdes1scovell@gmail.com

Areas to be done and Description of Measure

Stairs and landings Finelooop customer has samples

1) *100-A18*  
*QUOTE 1) NEW HUME TWIST A0*  
*COACH LONDON*  
*(SAME AS TUBED)*  
*P29577*  
*660 x A00 on RESERVE*  
*CITICIL MEASURES END OF ROW!*  
*2) Finelooop Coach fro A18*

Instructions and Estimators comments

Not entered

*P29577*  
*New Hume Twist*  
*660 x*  
*A900*  
*A00*  
*S25\**

**Must Read!** am ring customer

Office Ref: P30109

Ms Lourdes Scovell, 27 Horder Road

Date of Measure Tue, 22 Jun 21

At am

Floor: Wood / Concrete / other \_\_\_\_\_

S/edge: Wood/Concrete/No pin/existing (if existing, allow \_\_\_ sticks to supplement where necessary)

Sticking Req'd: Yes/No Type: Fastset/Other

Underlay: Re-use Existing / New required

Type: 42oz Felt / Fomalux / PU Foam / Luxury PU Foam / LowTog / Durafit

Doorbars: Alloy / Satin Ali / Polished Ali / Anod / Solid Brass / Chrome / Nisheen Seam/Wood/T/Holds: colour EXISTING

Door Clearance: OK / Low (advise on quote)

Uplift: No / Yes (if "Yes" - what type?) MATROLOMA **MOMS!!**  
**BAG UP + TAKE AWAY**

Furniture: No/Yes (if YES, please specify the following) - 1 man / 2 men (Fitter to get paid) £\_\_\_\_\_ total/per room

Parking Cost: Free / £ 300 per hour

Parking Restrictions: (type) / £ Link 60

Congestion Zone: No / Yes

Access: Easy / Hard / 2 men req'd / 1st floor?

Runners: X Whipping / Binding (if binding, specify type)

Tape size: X 1 1/2" / 2" / 3" / 5"

Style: X Top taping / Side binding

Stairrods: Type \_\_\_\_\_ Nr \_\_\_\_\_ Size \_\_\_\_\_

**Must Read: am ring customer**