

P30200
 CHARTERED
 SA LANTIER RD
 SW13 9NU

Sons Bedroom

550 x 400

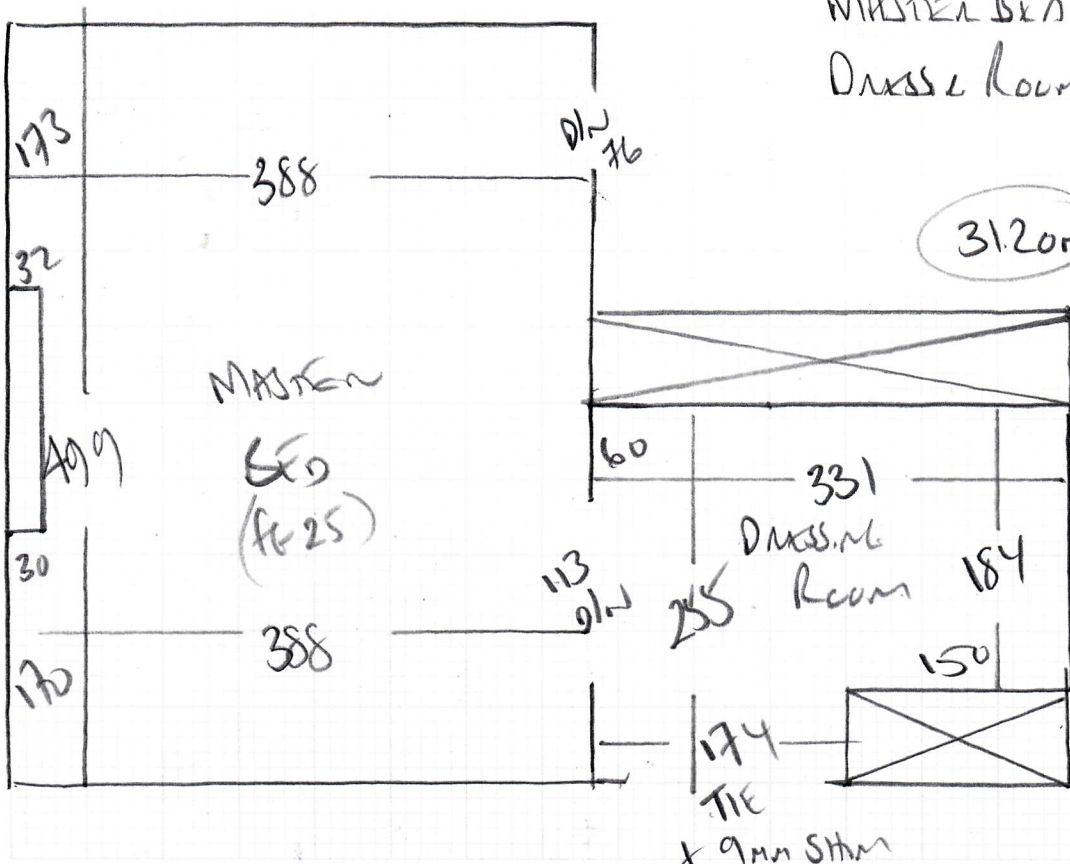
22m²

UNUSUAL FRAME
 FUTURE VINTAGE ←

260 x 200m

5.6m²

Living Room
 A/C or Ceiling
 2.65m x 2.65m REQUIRES!
 CARPET TO BE SPECIFIED YET!



MASTER BED 510 x 400

DRESSING ROOM 270 x 400

780 x 400

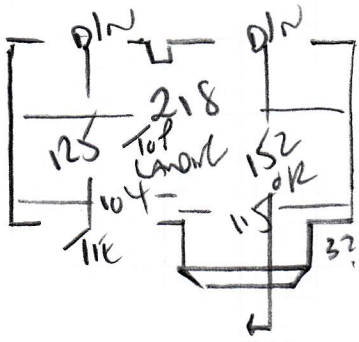
31.20m²

x 9mm SHIM

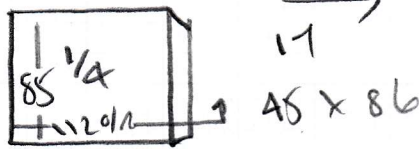
STAIRS + LANDINGS

Tot floor Down to 1st floor only

P30200
CHELSEA
54 LUMBER HEAD
SW13 92U



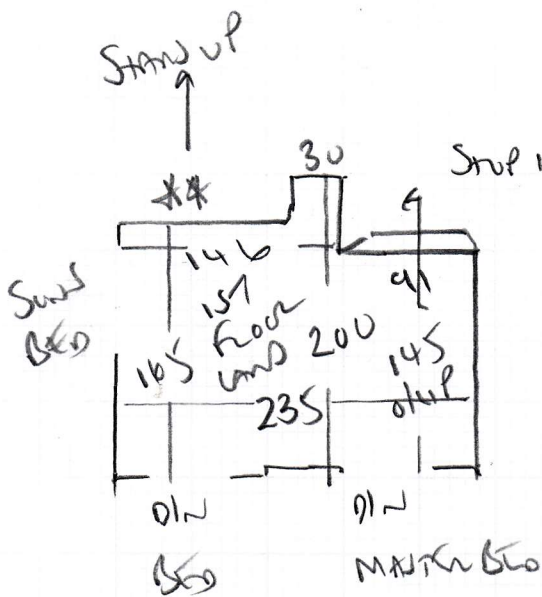
↓ ST
45 x 86



BL1 55 x 120
BL2 45 x 90

↑ 27
45 x 86

W3 75 x 84
W2 77 x 120
W1 72 x 100



MATCH TO SWAL H/BONE
TAKEO RUNNER ON PT FLOOR
- CUSTOMER ADVISED THAT WE DO
NOT FIT SWAL !!
RE-SELECT?

Sarah Chelton, 54 Lowther Road

Date of Measure: Tue, 31 Aug 21

At: 8.30am-9.0am ETA

Site Address:

54 Lowther Road
Barnes

LONDON

SW13 9NU

CONTACT: As customer details

Mobile
07919-444068

Home

Office
N/P

Customer Address:

54 Lowther Road
Barnes
LONDON

SW13 9NU

Email:

sarahchelton@willowcashmere.com

Areas to be done and Description of Measure

1st Floor Main Bathroom for Unnatural Flooring (woven vinyl). 2 x 1st Floor Bedrooms for carpet to select.

AFC on CURCUL TRADE Rug
WITH ROOM TAPED BORDER
Approx 2.65m x 2.65m

Instructions and Estimators comments

Check prep for bathroom - over existing Porcelain tiles? U'floor heating? Check furn/uplift in rooms

LANDINGS CARPET TO BE SELECTED?
CUSTOMER ADVISED THAT WE DO NOT FIT
SEAL HANGING BAR.
BEDROOM CARPETS - TO BE SELECTED

Must Read!

Customer will be home

Office Ref: P30200

Sarah Chelton, 54 Lowther Road

Date of Measure Tue, 31 Aug 21

At 8.30am-9.0am ETA

Floor: Wood / Concrete / other _____

S/edge: Wood/Concrete/No pin/existing (if existing, allow ___ sticks to supplement where necessary)

Sticking Req'd: Yes/ No Type: Fastset/Other

Underlay: Re-use Existing / New required

Type: 42oz Felt / Fomalux / PU Foam / Luxury PU Foam / LowTog / Durafit

Doorbars: Alloy / ^{+ options} Satin Ali / Polished Ali / Anod / Solid Brass / Chrome / Nisheen Seam/Wood/T/Holds: colour _____

Door Clearance: OK / Low (advise on quote)

Uplift: No / Yes (if "Yes" - what type?) LowPile on QA PU foam

Furniture: No/ Yes (if YES, please specify the following) - 1 man / 2 men (Fitter to get paid) £ 25 total/per room

Parking Cost: Free / £ _____ per hour

Parking Restrictions: (type) / £ 10-12 permits only

Congestion Zone: No / Yes

Access: Easy / Hard / 2 men req'd / 1st floor?

Runners: Whipping / Binding (if binding, specify type)

Tape size: 1½" / 2" / 3" / 5". Decide on CASE width!

Style: Top taping / Side binding

Stairrods: Type _____ Nr _____ Size _____

Must Read: Customer will be home