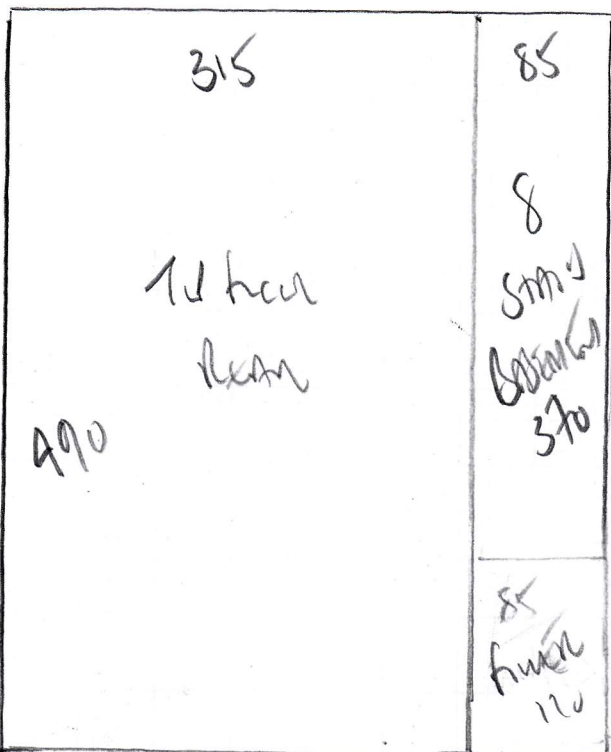


720



490

R 18252
BEESE
1240m MENS
ROCKMAN
SW19 ARP

6 Benches to Room
Stairs + Landing from
1st floor to basement 1

HAVANA
Corridor

- Room 1 720 x 400
- Room 2 490 x 400
- Room 3 1055 x 400
- Room 4 800 x 400
- MASKEN 550 x 400
- 3615 x 400

14460m²

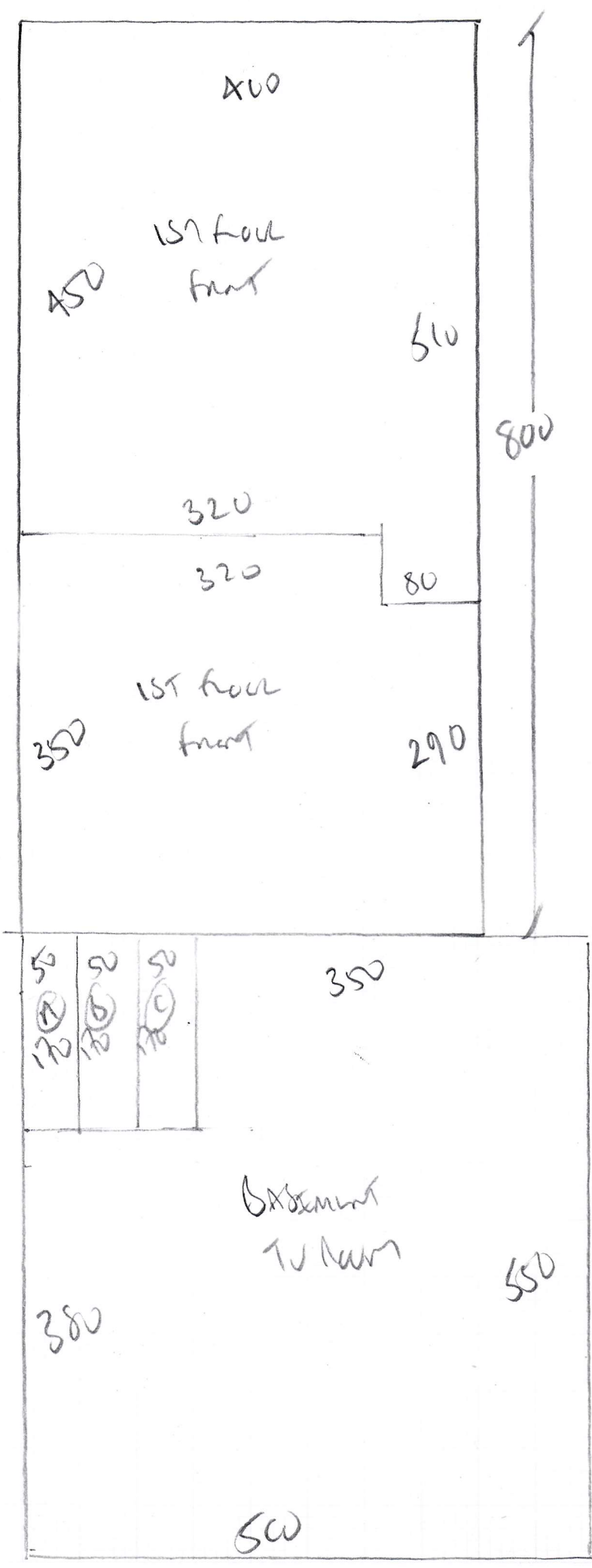
BASEMENT TO ROOM
550 x 500

2750m²

160 Basement 340 Main		d/w 240 T8 Landing 305	
80 160 W1 80		240 (d/w) 1st floor Landing 340	
95 140 W2			
95 160 W5			
160 95 W8			
160 80 W4		120 1/4 140	120 1/4 110 8/12 30
100 85 W3	100 W6	100 W9	100 W12 85
85 115 W7	115 W10	170 W11 85	
85 W8 100	115 W9 2	120 W3	80 W4

1055

R18256
BUNSE
LONDON MANS
KOLIAN
SUN 94/1

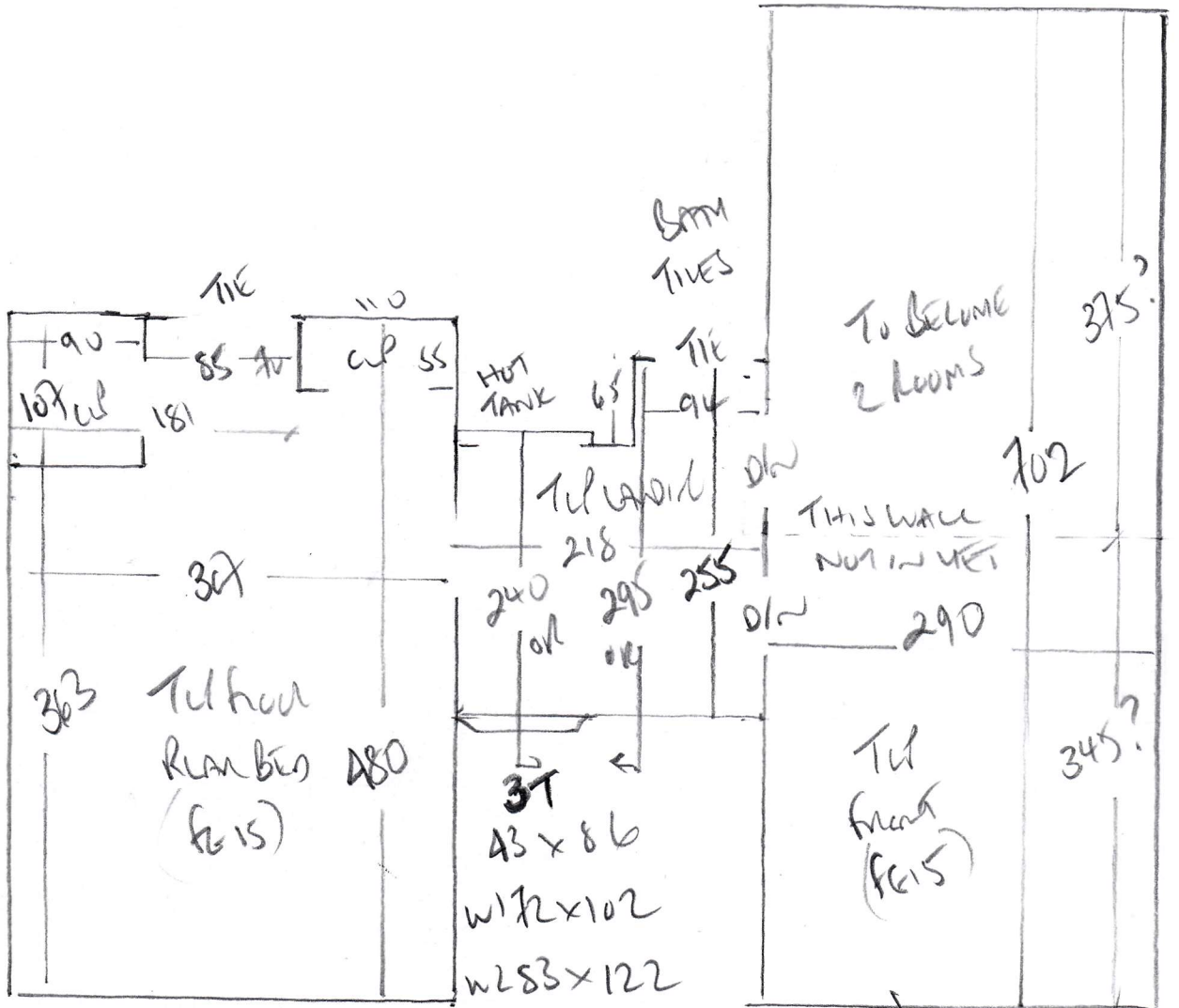


R18256
 BUASE
 1 CLOW MASS
 SWQALP

SM Width
 NO GUARANTEE of
 Color MATCH!

550
 X 550

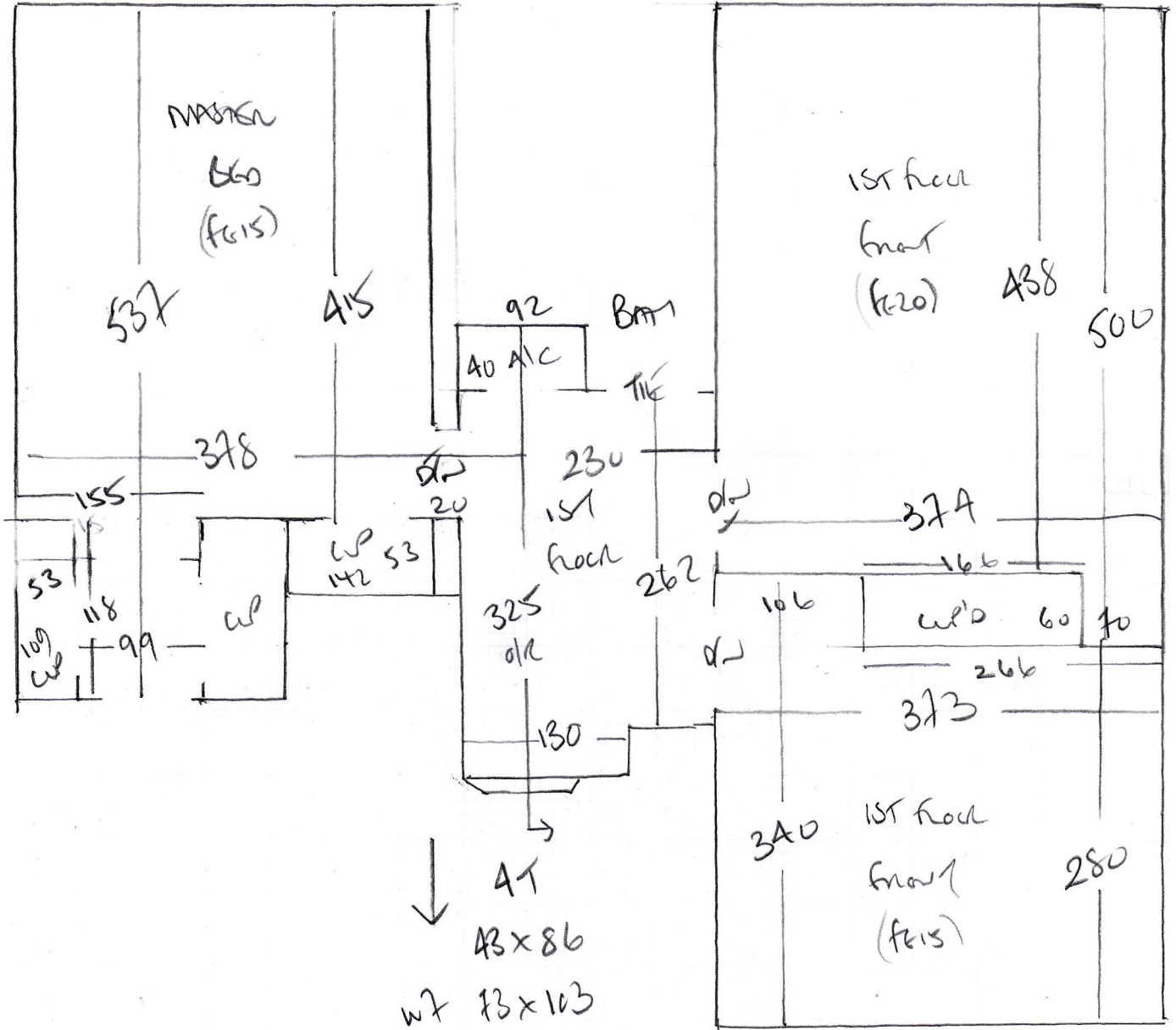
R 18256
 BLEASE
 1 RYDON MENS
 THE RYDON WAY
 SW19 4LP



- w3 45 x 87
- w4 73 x 103
- w5 85 x 122
- w6 75 x 86
- 41
- 42 x 86
- 51 w 42 x 103

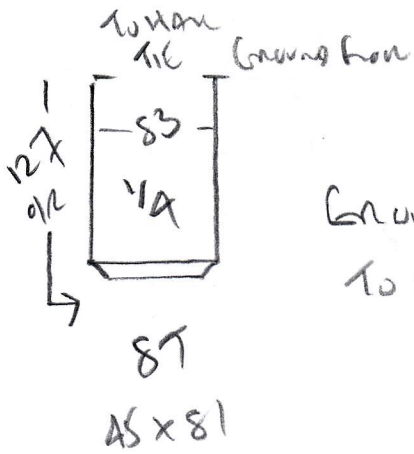
THIS WALL NOT IN YET

R18256
 BUASE
 1 RYDOW MENS
 THE RYDOW WAY
 SWIG 4RF



- ↓ 41
 43x86
 W7 73x103
 W8 83x123
 W9 75x87
 W10 73x103
 W11 83x122
 W12 75x86

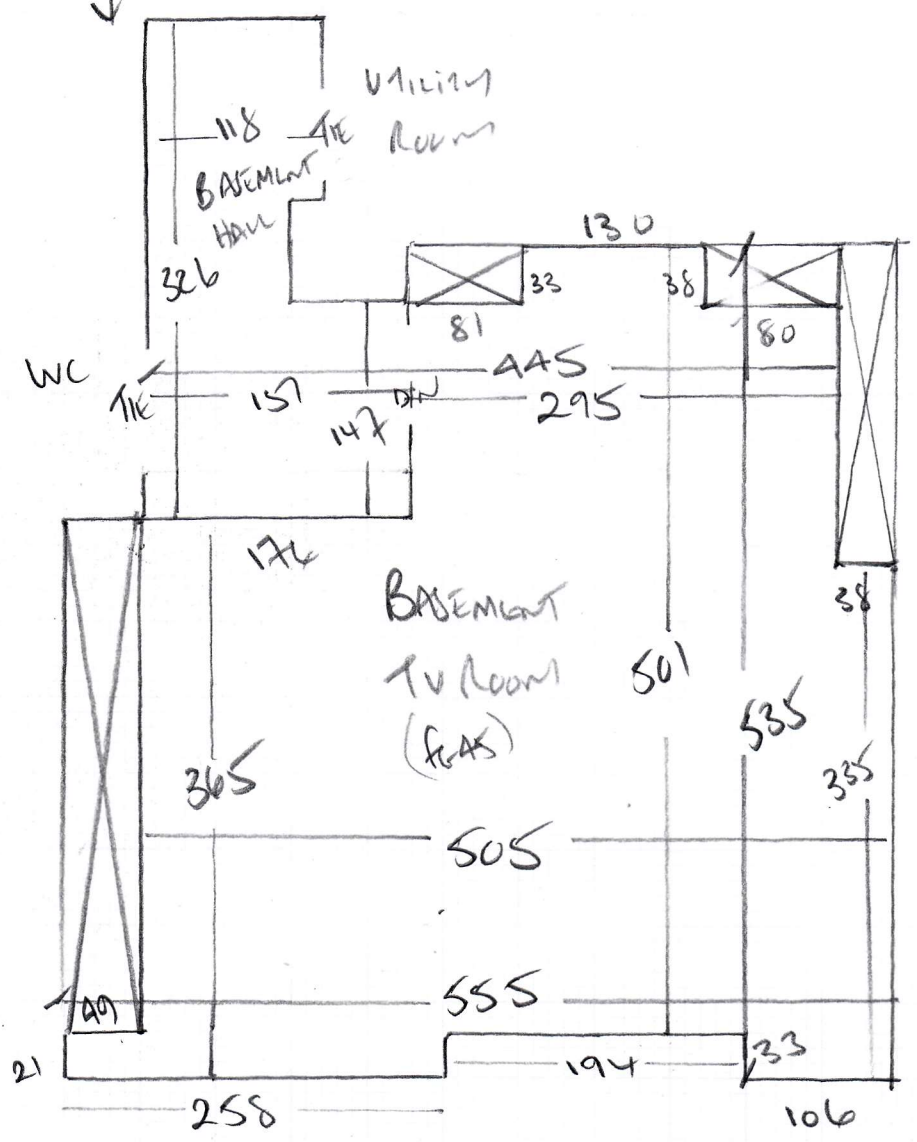
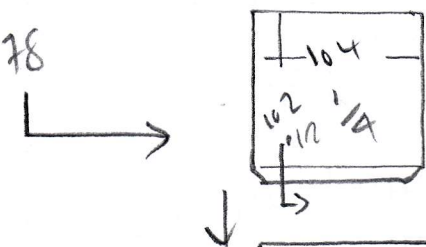
- 41
 42x86
 B/W
 42x101
 FIT TREAD ONLY

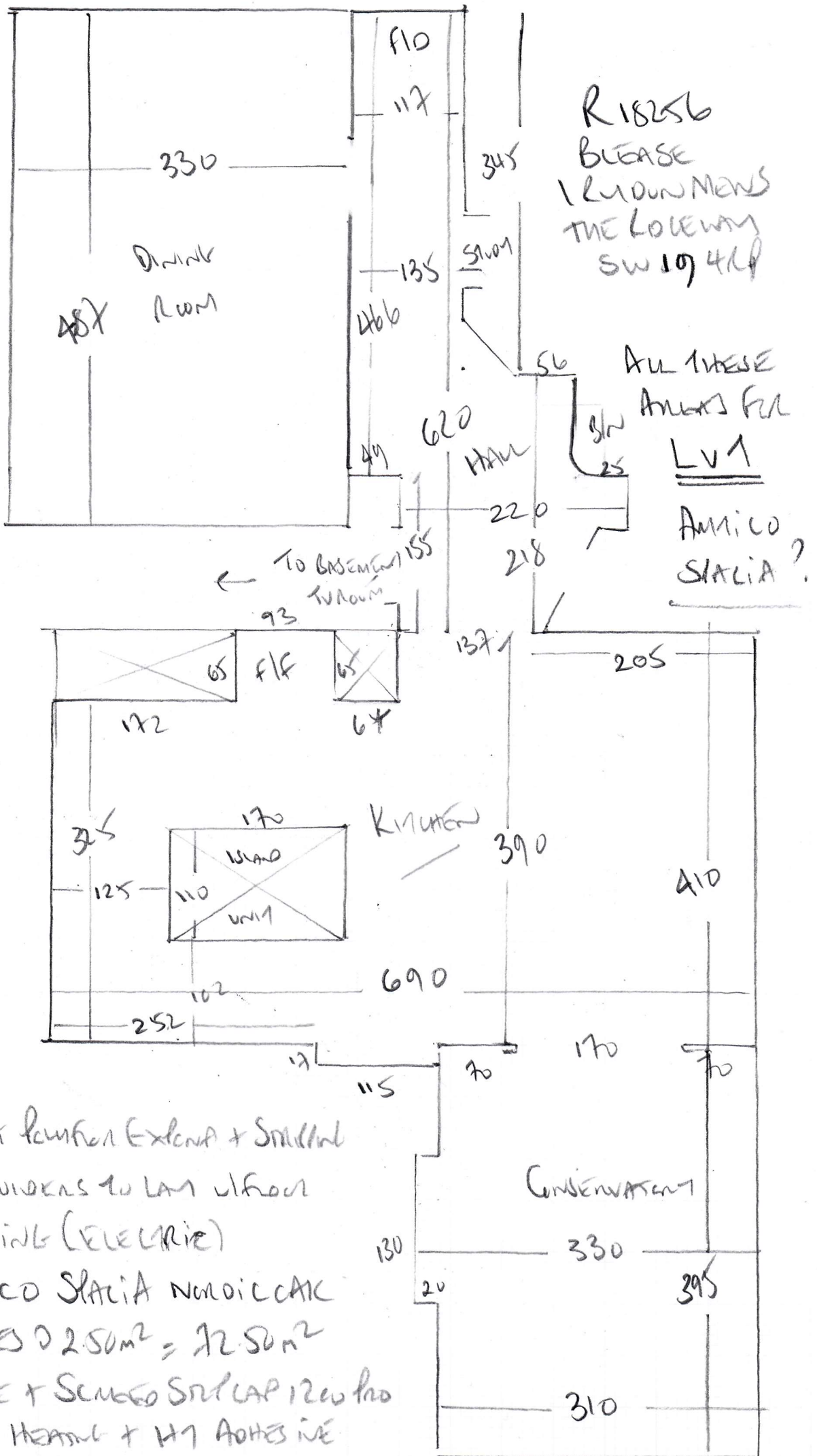


GROUND FLOOR
TO BASEMENT.

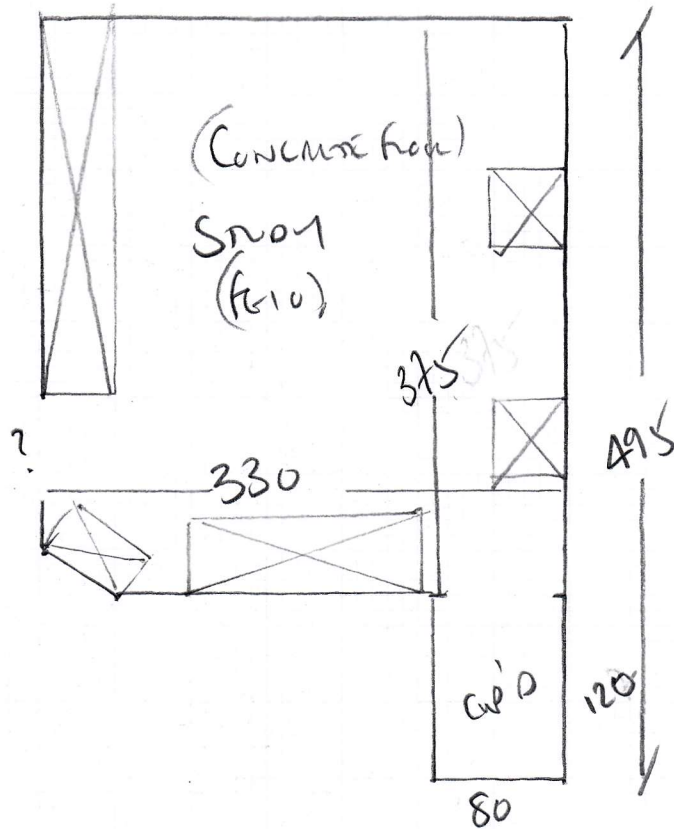
R18256
BLUASE
1 RYDON MENS
THE ROCEWAY
SW19 4RP

- WB1 58 x 80
- WB2 60 x 112
- WB3 95 x 115
- WB4 60 x 78





R18256
BUASE
1 KNOWN MENS
SW19 ALP



CHECK MEASURE AN GRINDS FROM AREAS
ONCE UNDER FLOOR HEATING SYSTEM HAS BEEN INSTALLED?