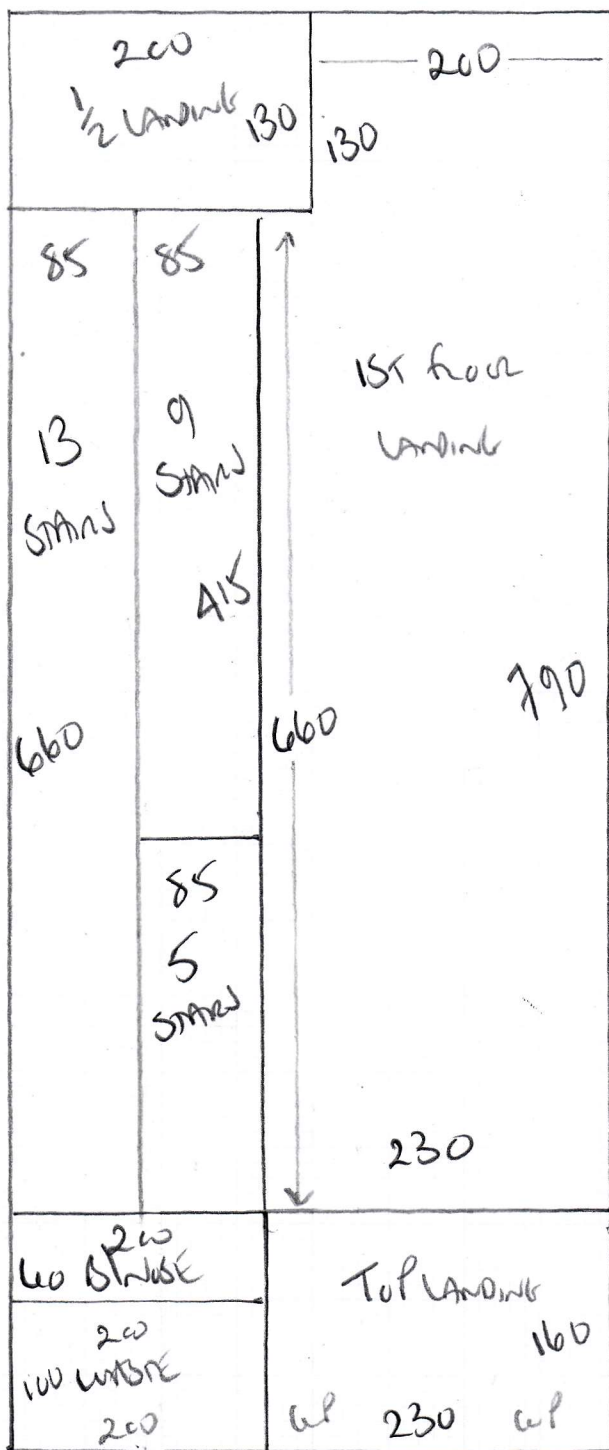


R18262
 DUGALIN
 CEDAR HOUSE
 75 LAMBTON ROAD
 SW20 0LW



Stairs + Landings

Top floor to Ground floor

CLEARANCE STOCK

Toward Colours 112

PLAN 950 x 400

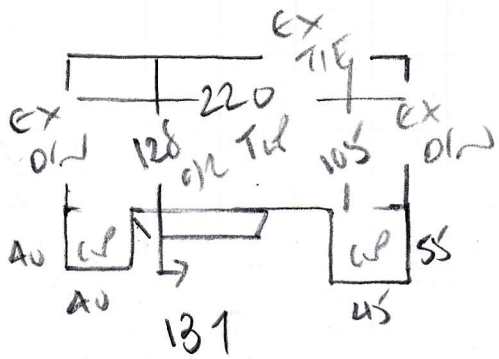
38m²

BEDROOM / Dressing Room

PLAN 360 x 400

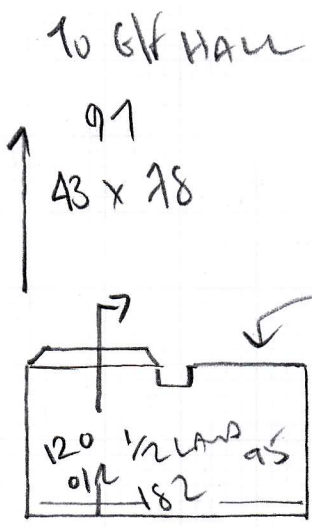
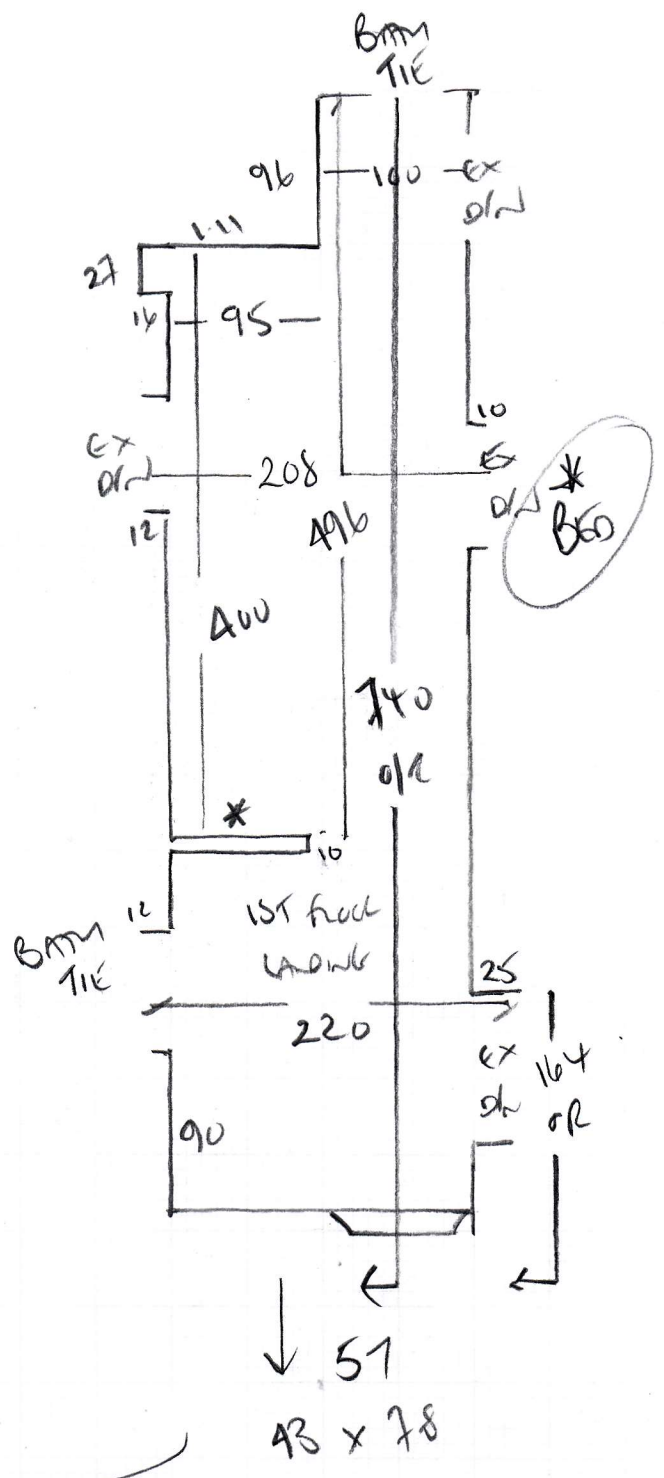
INSUFFICIENT STOCK TO

DO IN SAME CARPET !!

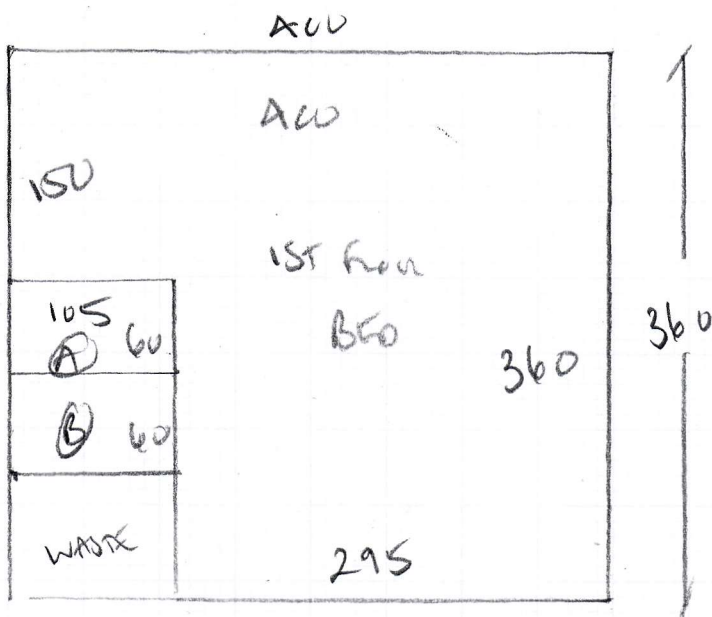
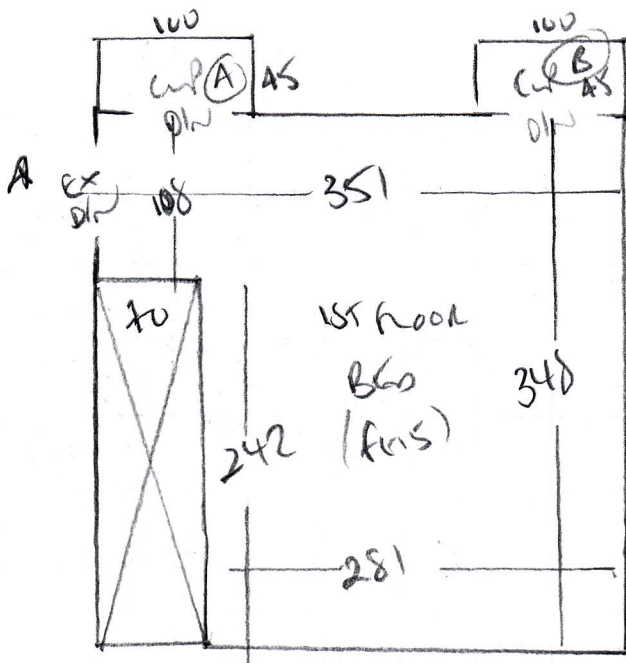


47 x 78
 Blnd
 48 x 92
 *

R18262
 DUGARIN
 CEDAR HOUSE
 75 LAMBTON ROAD
 SW20 0LW



R 18262
 DUGAN
 CEDAR HOUSE
 75 LAMONA ROAD
 SUZOU OH



R18262

3rd call of 4

Notes for Measure

Estimator: Colin

Dr Dugarin, Cedar House

Date of Measure: Mon, 11 Nov 19

At: 10.30am-11.00am

Site Address:

**Cedar House
75 Lambton Road**

LONDON SW20 0LW

CONTACT: As customer details

Mobile	Home	Office
07876-561753		

Customer Address:

*Cedar House
75 Lambton Road
LONDON*

SW20 0LW

Email:
penelope.smith@hhs.net

Areas to be done and Description of Measure

1 Bedroom Stairs & Landings

Instructions and Estimators comments

Quote Clearance stock Town Colour 112 Last piece 9.60m x 4.00m reserved on RR2994

Must Read!

Penny's Husband or Cleaner will be home for access

Office Ref: R18262

Dr Dugarin, Cedar House

Date of Measure Mon, 11 Nov 19

At 10.30am-11.00am

Floor: Wood / Concrete / other _____

S/edge: Wood/Concrete/No pin/existing (if existing, allow 5 sticks to supplement where necessary)

Sticking Req'd: Yes/No Type: Fastset/Other

Underlay: Re-use Existing / New required

Type: 42oz Felt / Fomalux / PU Foam / Luxury PU Foam / LowTog / Durafit

Doorbars: Alloy / Satin Ali / Polished Ali / Anod / Solid Brass / Chrome / Nisheen
TILE GRATE TO BATHROOM
Seam/Wood/T/Holds: colour _____

Door Clearance: OK / Low (advise on quote)

Uplift: No / Yes (if "Yes" - what type?) UNKNOWN HANDWICK
ON JLP RUBBER

Furniture: No/Yes (if YES, please specify the following) - 1 man / 2 men (Fitter to get paid) £ 5 total/per room

Parking Cost: Free / £ 1.50 per hour

Parking Restrictions: (type) / £ RING GO NEARBY IN KENWYN ROAD.

Congestion Zone: No / Yes

Access: Easy / Hard / 2 men req'd / 1ST floor? SLC GRAND - 2ND

Runners: X Whipping / Binding (if binding, specify type)

Tape size: 1½" X 2" / 3" / 5"

Style: X Top taping / Side binding

Stairrods: Type X _____ Nr _____ Size _____

Must Read: Penny's Husband or Cleaner will be home for access