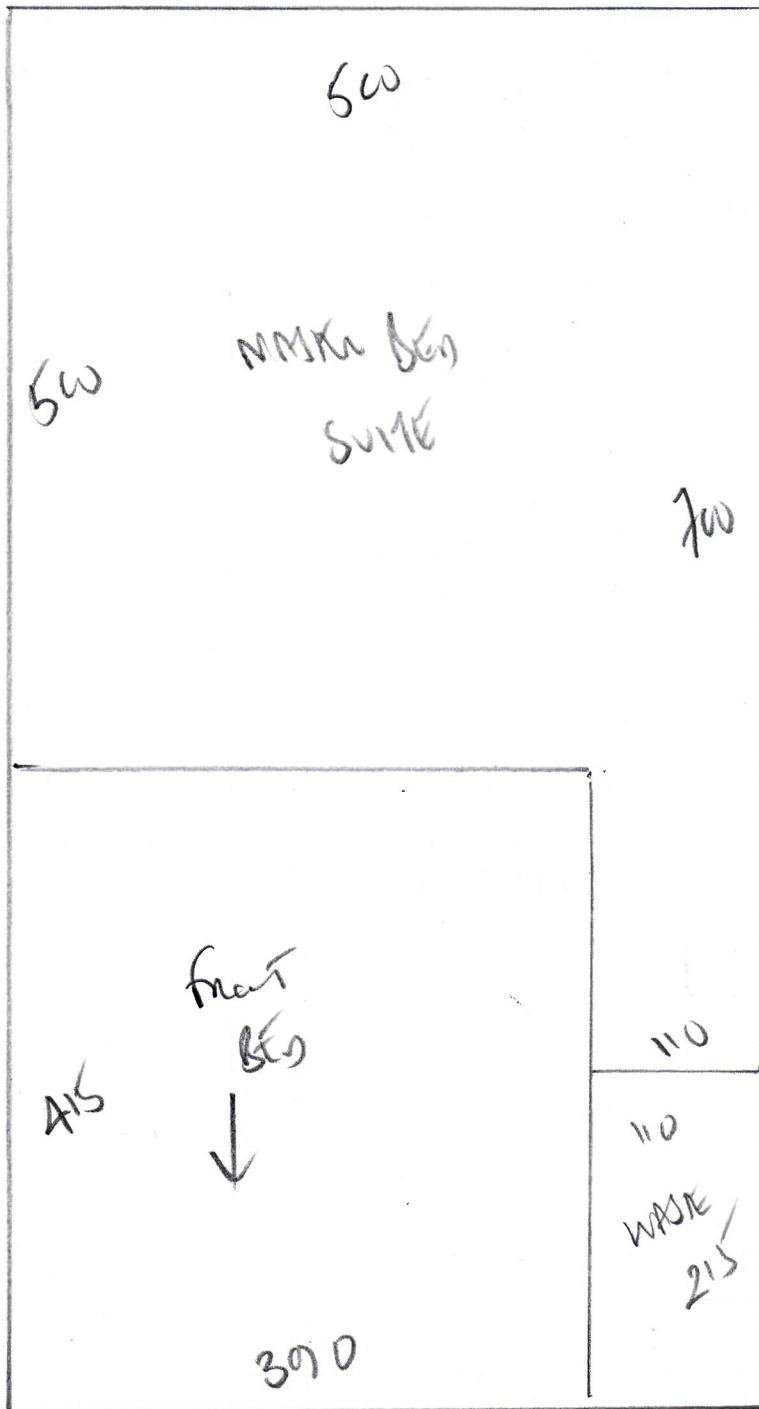


R18484
 BETHE
 6 THE FARWAYS
 NEW MANDON
 K13 4ST

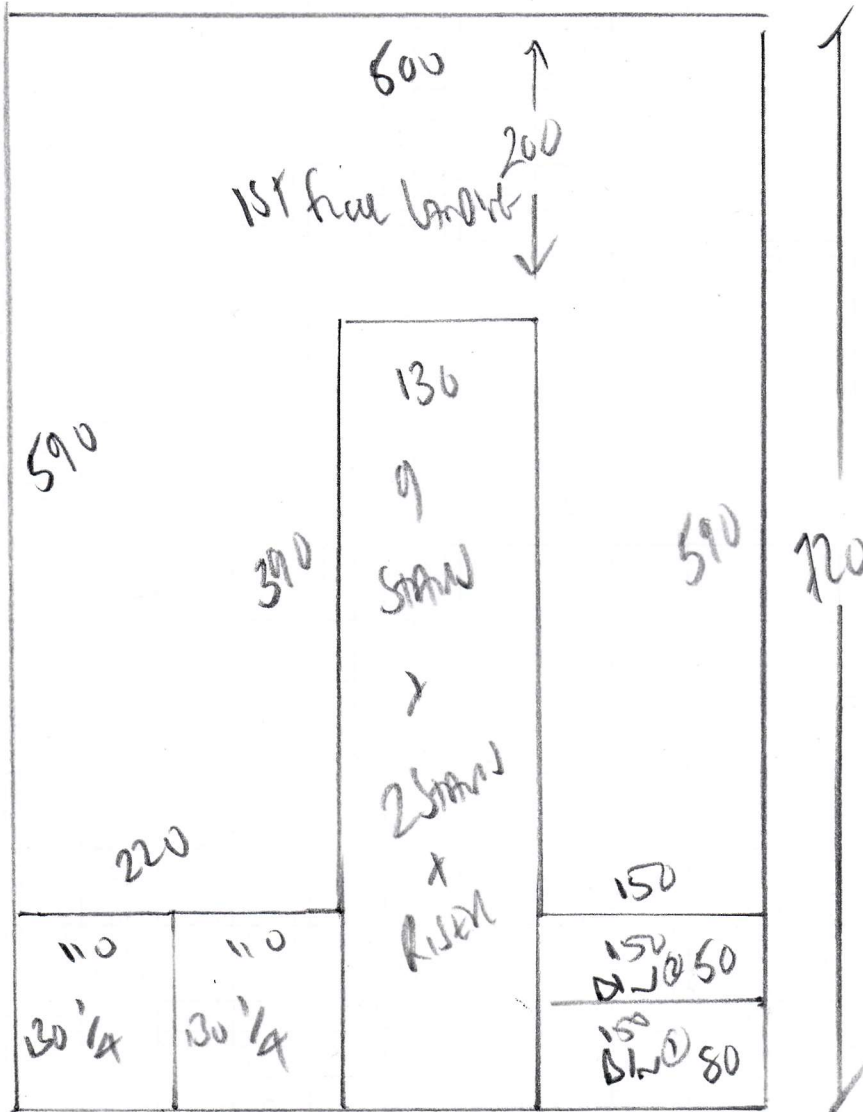


JACARANDA
 HULCOT (FLATWAVE)
 COLAR JAM

| | |
|-----------|------------|
| PLAN 1 | 915 x 500 |
| PLAN 2 | 720 x 500 |
| FRUIT BED | 430 x 500 |
| RUN BED | 410 x 500 |
| RECEPTION | 635 x 500 |
| RECEPTION | 415 x 500 |
| <hr/> | |
| | 3525 x 500 |
| <hr/> | |

176.25m²

R18484
 BEHNE
 6 THE FAIRWAY
 NEW MADON
 K13 4SP



INCLUDE STAND
 720 x 600

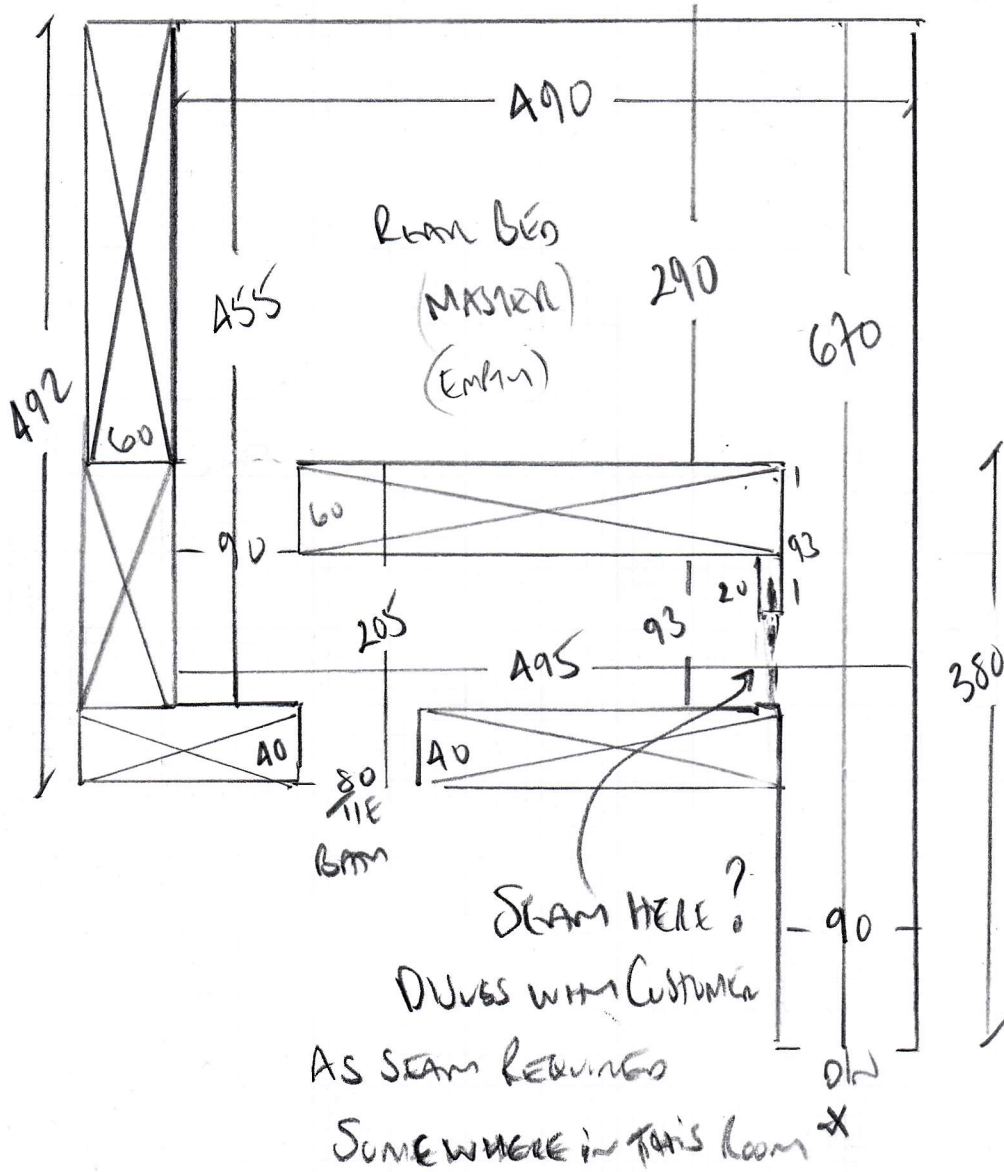
WIMMUT STAND
 590 x 500

SO DEDUCT
 130 x 500

IF STAND NOT BEING
 DONE

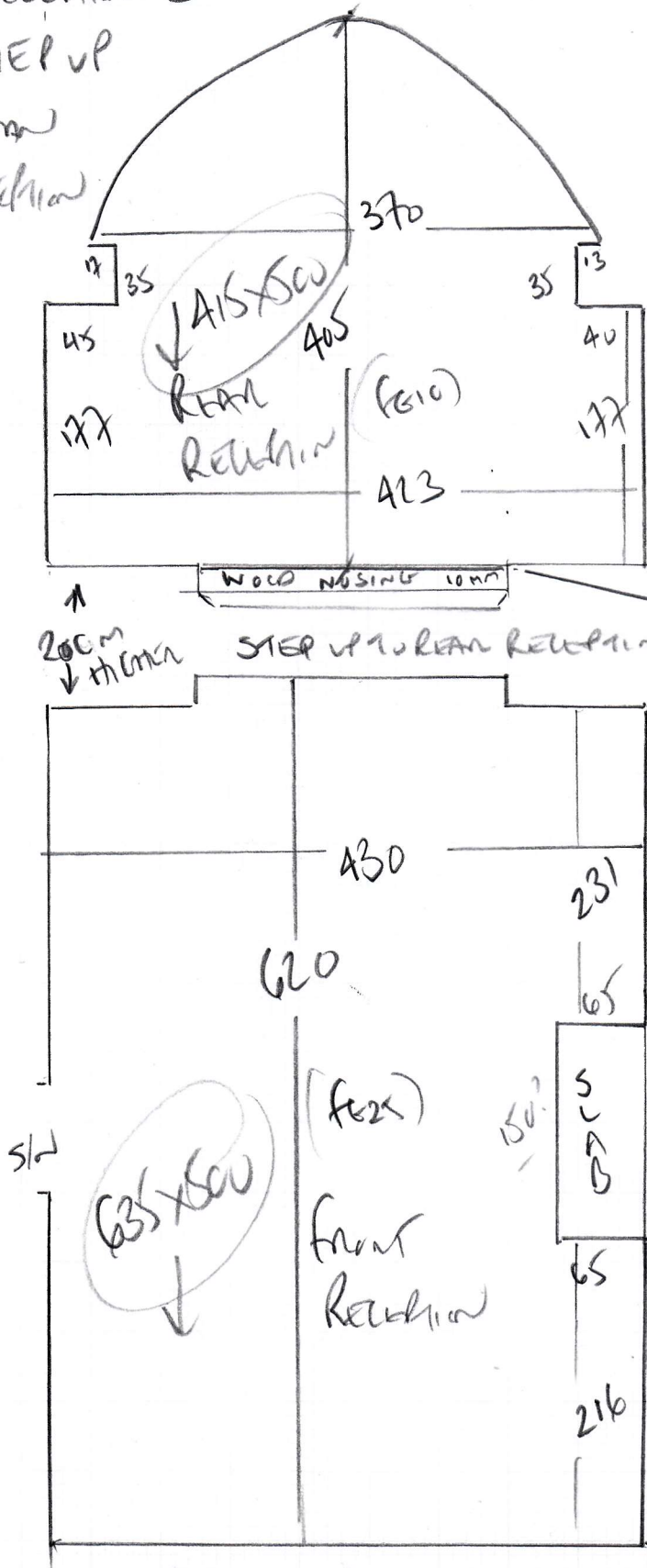
(MOST STANDS FROM WASTE)
 OFF LAYOUT

R18484
 BETHE
 6 THE FAIRWAYS
 NEW MARLOW
 K13 4SP



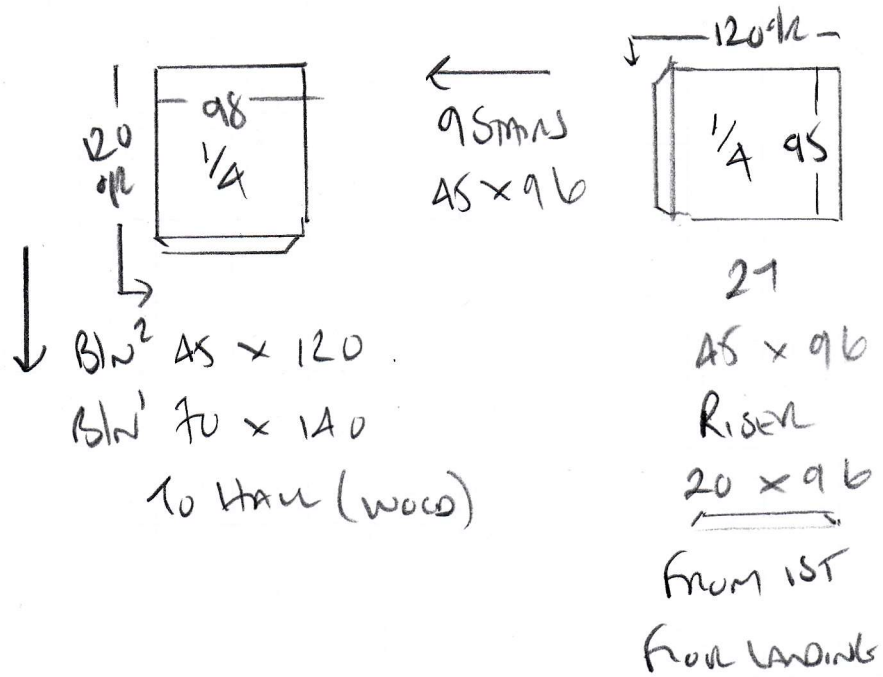
R18484
 BETHE
 6711E FAIRWAYS
 NEW MARDEN
 KT13 4SP

Rear Reception is
 20cm STEP UP
 Higher than
 front Reception



BUILT TO 10MM DEEP
 WOOD NOSING

R18A84
 BETA
 6 THE FAIRWAYS
 NEW MARION
 K13 ASP



R18484

2nd call of 2

Notes for Measure

Estimator: Colin

Mr Henning Behre, 6 The Fairways

Date of Measure: Tue, 8 Dec 20

At: tbc 8:45 - 9 AM

Site Address:
6 The Fairways

Customer Address:
6 The Fairways

NEW MALDEN

KT3 4SP

NEW MALDEN

KT3 4SP

CONTACT: As customer details

| | | |
|--------------|------|--------|
| Mobile | Home | Office |
| 07407-176186 | | |

Email:
hbehre@hotmail.com

Areas to be done and Description of Measure

Landing, 4 Beds, Lounge. Please also quote for stairs seperately. Carpet is Jacarand Holcot colm Jay (flatweave type)

Instructions and Estimators comments

Not entered

Must Read!

Not entered

Office Ref: R18484

Mr Henning Behre, 6 The Fairways

Date of Measure Tue, 8 Dec 20

At tbc

Floor: Wood / Concrete / other _____

S/edge: Wood/Concrete/No pin/existing (if existing, allow ___ sticks to supplement where necessary)

Sticking Req'd: Yes/ No Type: Fastset/Other

Underlay: Re-use Existing / New required *2 Bedrooms only PU foam HAVE FINELOCK on COSIMO*

Type: 42oz Felt / Fomalux / PU Foam / Luxury PU Foam / LowTog / Durafit

Doorbars: *?* Alloy / Satin Ali / *?* Polished Ali / Anod / Solid Brass / Chrome / Nisheen
Seam/Wood/T/Holds: colour _____

Door Clearance: OK / Low (*advise* on quote)

Uplift: No / Yes (if "Yes" - what type?) *FRONT + REAR BEDS ONLY (APPRX 30m²)*

Furniture: No/ Yes (if YES, please specify the following) - 1 man / 2 men (Fitter to get paid) £ *40* total/per room

Parking Cost: Free / £ _____ per hour

Parking Restrictions: (type) / £ *on driveway - PRIVATE ROAD!*

Congestion Zone: No / Yes

Access: Easy / Hard / 2 men req'd / *1st* floor?

Runners: Whipping / Binding (if binding, specify type)

Tape size: 1½" / 2" / 3" / 5"

Style: Top taping / Side binding

Stairrods: Type _____ Nr _____ Size _____

Must Read: Not entered