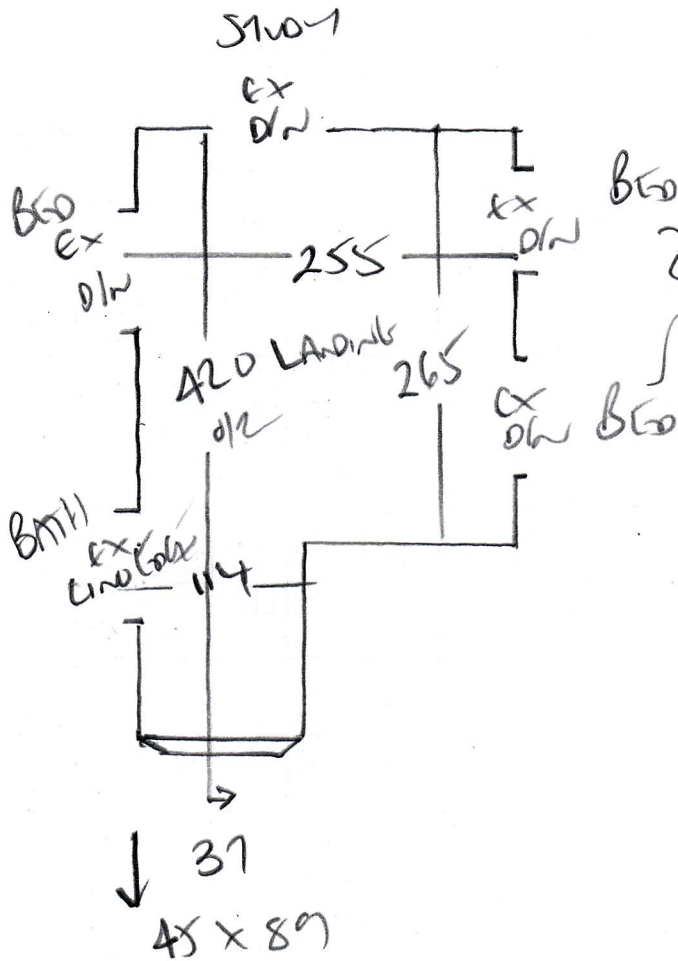


R 18636
 EAGER
 FAX 2
 68 RIDGEWAY
 SW19 4RA



2 RESINUM EX CANES
 DELAMINATING!!

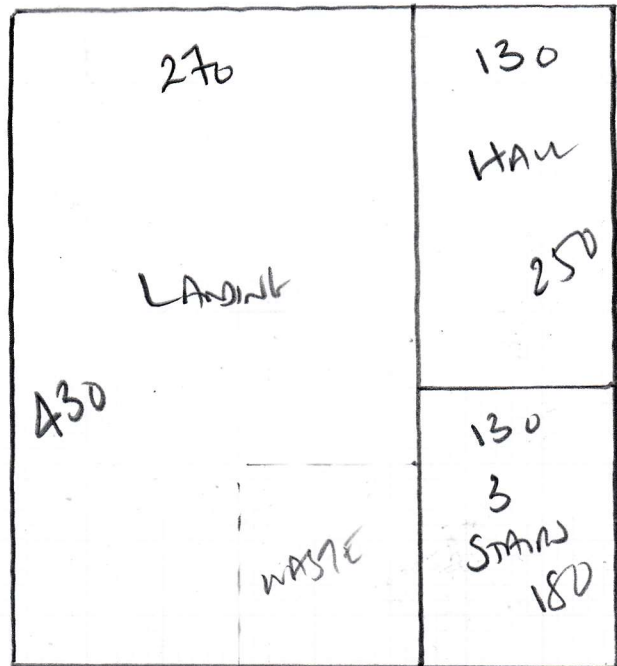
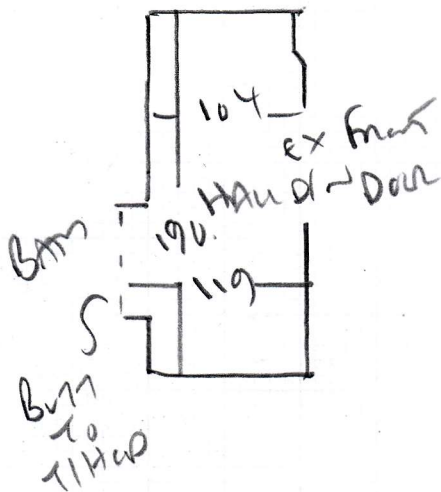
LANDING 3 STAIRS + HALL

BEST STRIPE

LOW 129 MENSEN

PLAN 430 x 400

1720m²



R18636

2nd call of 3

Notes for Measure

Estimator: Colin

Mr Nigel Eager, Flat 2

Date of Measure: Fri, 20 Aug 21

At: tbc

8:30 AM

Site Address:

Flat 2
68 Ridgeway

LONDON SW19 4RA

Customer Address:

Flat 2
68 Ridgeway
LONDON

SW19 4RA

CONTACT: As customer details

Mobile	Home	Office
07801-758572		

Email:
nigel.eager@gmail.com

Areas to be done and Description of Measure

hallway and maybe bedroom in Best Stripe Mersey 129 disc to £12 from £34

430 x 400mm REEDS
17.20m²

Instructions and Estimators comments

Not entered

Must Read!

Not entered

Office Ref: R18636

Mr Nigel Eager, Flat 2

Date of Measure Fri, 20 Aug 21

At tbc

Floor: Wood / Concrete / other _____

S/edge: Wood/Concrete/No pin/existing (if existing, allow 2 sticks to supplement where necessary)

Sticking Req'd: Yes/ No Type: Fastset/Other

Underlay: Re-use Existing / New required

Type: 42oz Felt / Fomalux / PU Foam ^{8mm} / Luxury PU Foam / LowTog / Durafit
WE EXISTING BARS

Doorbars: Alloy / Satin Ali / Polished Ali / Anod / Solid Brass / Chrome / Nisheen
Seam/Wood/T/Holds: colour _____

Door Clearance: OK / Low (advise on quote)

Uplift: No / Yes (if "Yes" - what type?) Load five on 10MM RUBBER

Furniture: No/Yes (if YES, please specify the following) - 1 man / 2 men (Fitter to get paid) £ _____ total/per room

Parking Cost: Free / £ 300 per hour

Parking Restrictions: (type) / £ Rinto Go

Congestion Zone: No / Yes

Access: Easy / Hard / 2 men req'd / _____ floor? *1ST floor flat*

Runners: Whipping / Binding (if binding, specify type)

Tape size: 1½" / 2" / 3" / 5"

Style: Top taping / Side binding

Stairrods: Type _____ Nr _____ Size _____

Must Read: Not entered