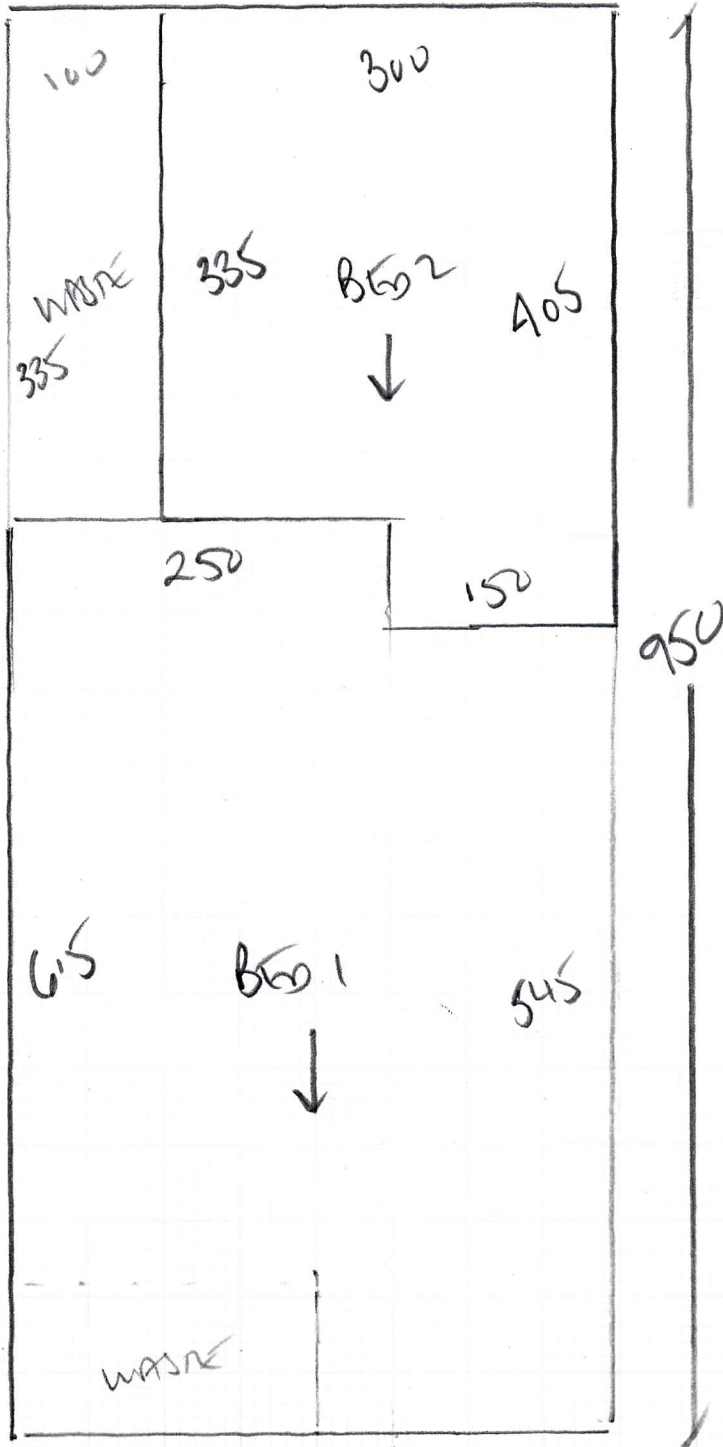


R18646
 CLOAK
 FRONT 6
 77 WORKING LEAD
 SWING ABL



2 Bedrooms

HASSLE FREE 'PREMIUM'
 CHOICE TO SELECT

Room 950 x 400

35m²
 OR

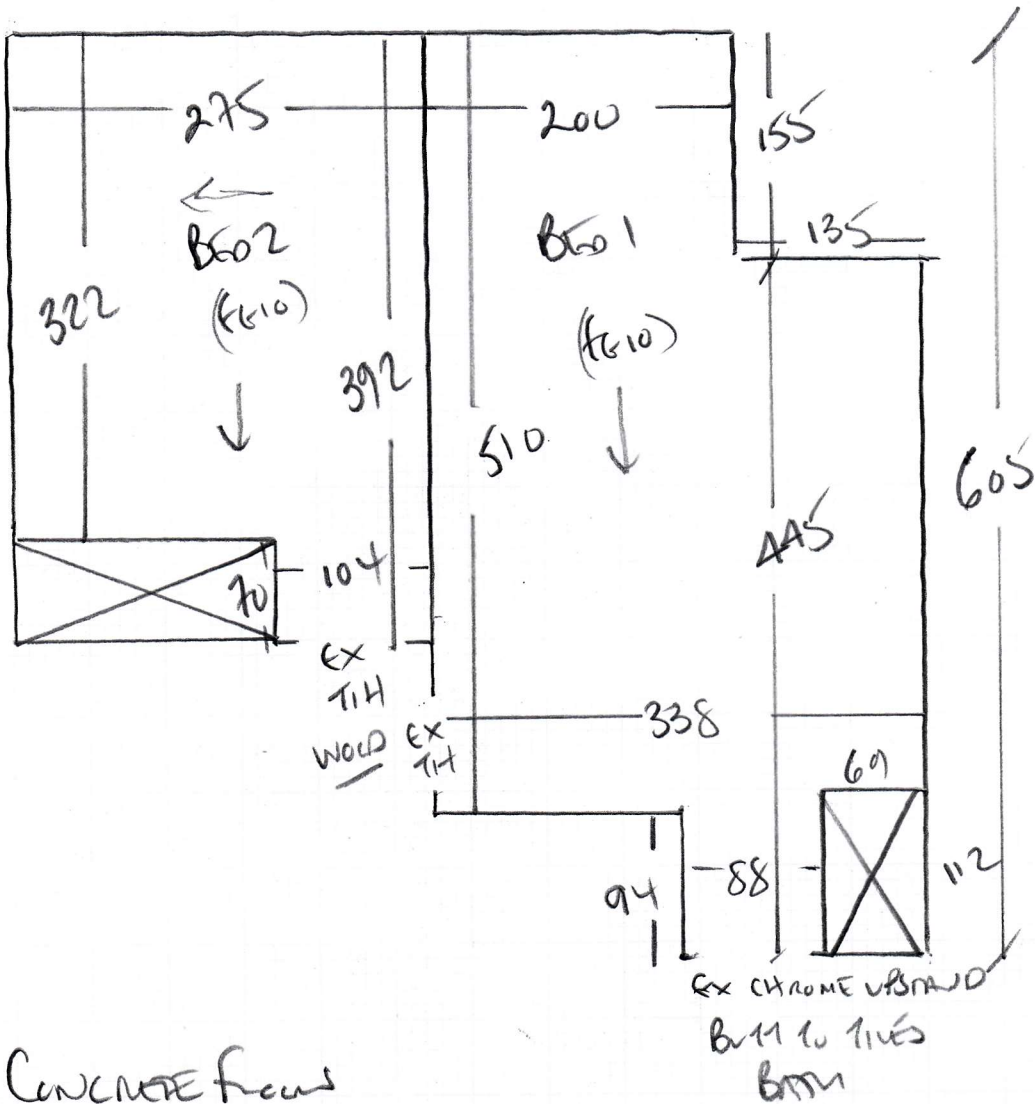
Bed 1 615 x 400

Bed 2 285 x 400

900 x 400

36m²

R18646
 CLOAK
 HALL
 77 WOODRIDGE
 SW19 4BL



CONCRETE FLOOR
 EXISTING GRIPPER
 WOODEN THRESHOLDS AT DOORWAYS
 FURNITURE - TO BE MINIMAL (BEOS)

USE AT ALBANAN OR OLD RUBBER (DUSTY) DRAWING MANICS!!

R18646

2nd call of 2

Notes for Measure

Estimator: Colin

Mrs M Crook, Flat 6

Date of Measure: Fri, 10 Sep 21

At: 8.15am-8.30am

Site Address:

Flat 6
77 Worple Road

LONDON SW19 4BL

CONTACT: Marieve

Mobile	Home	Office
07487-558374	N/P	N/P

Customer Address:

Flat 6
77 Worple Road
LONDON

SW19 4BL

Email:
marievebayer@gmail.com

Areas to be done and Description of Measure

2 rooms - Carpet TBC

Instructions and Estimators comments

Meet Client on site 8.15am - 8.30am as Tenants need to give access

Moving in on 25/9/21
Fit Before then if possible

QUOTE STOCK CLEARANCE
HASSLE FREE TRUST

€14m²
FREE FELT
+ UP GRADE GASTJ

Must Read!

Not entered

Office Ref: R18646

Mrs Marieve Crook, Flat 6

Date of Measure Fri, 10 Sep 21

At 9.30am-10.30am

Floor: Wood / Concrete / other _____

S/edge: Wood/Concrete/No pin/existing (if existing, allow __ sticks to supplement where necessary)

Sticking Req'd: Yes/No Type: Fastset/Other

Underlay: Re-use Existing / New required

Type: 42oz Felt / Fomalux / PU Foam / Luxury PU Foam / LowTog / Durafit

Doorbars: Alloy / Satin Ali / Polished Ali / Anod / Solid Brass / Chrome / Nisheen Seam/Wood/T/Holds: colour EXISTING THICKNESS WOOD

Door Clearance: OK / Low (advise on quote) X DOWN TO CHROME UPSTAIR AT BATHROOM DOORWAY

Uplift: No / Yes (if "Yes" - what type?) _____
ALUMINUM ON SOLID RUBBER / OLD / DUSTY

Furniture: No/Yes (if YES, please specify the following) - 1 man / 2 men (Fitter to get paid) £ _____ total/per room

Parking Cost: Free / £ _____ per hour

Parking Restrictions: (type) / £ Rink 60 IN EDGE Hill 25 Years Amey

Congestion Zone: No / Yes

Access: Easy / Hard / 2 men req'd / 2ND floor? SMALL LIFT

Runners: X Whipping / Binding (if binding, specify type)

Tape size: 1 1/2" X 2" / 3" / 5"

Style: Top taping X / Side binding

Stairrods: Type _____ X Nr _____ X Size _____

Must Read: Not entered