

90	90	220
	31 x 190 17	155 from LAND
1A Stair	85 70 W1	85 W4
	85 70 W5	85 70 W8
660	80 170 W6	140
	90 170 W7	140 W2 70
	170 1st LAND	140 W3 90
	160	60 Blin + 120 60 Blin

STAIRS + LANDINGS

ALCOHOL  
 COVER TO STAIR

from 660 x 400

26.40m<sup>2</sup>

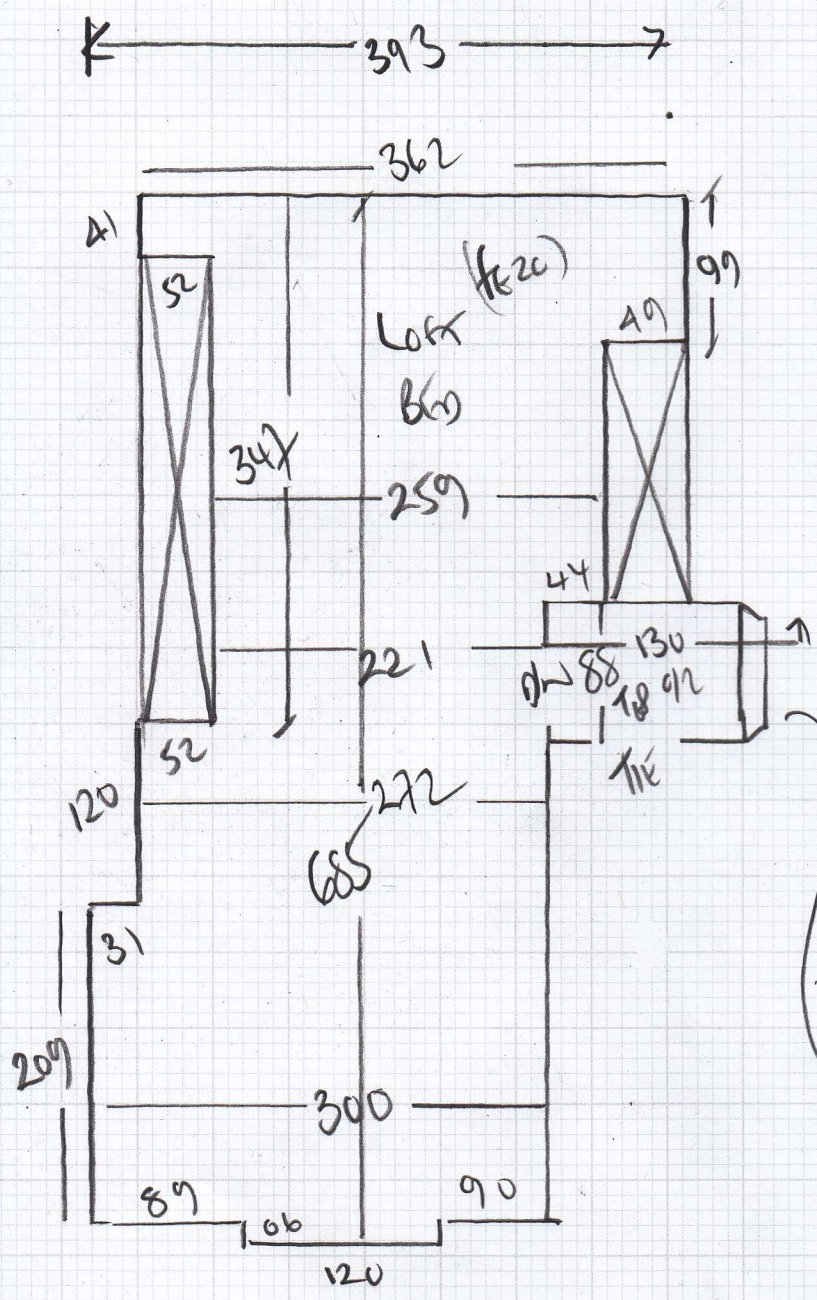
4 BEDROOMS + LANDING

- Left BED 700 x 400
- front BED 490 x 400
- Right BED 400 x 400
- Box BED 260 x 400
- Landing 490 x 400

2340 x 400

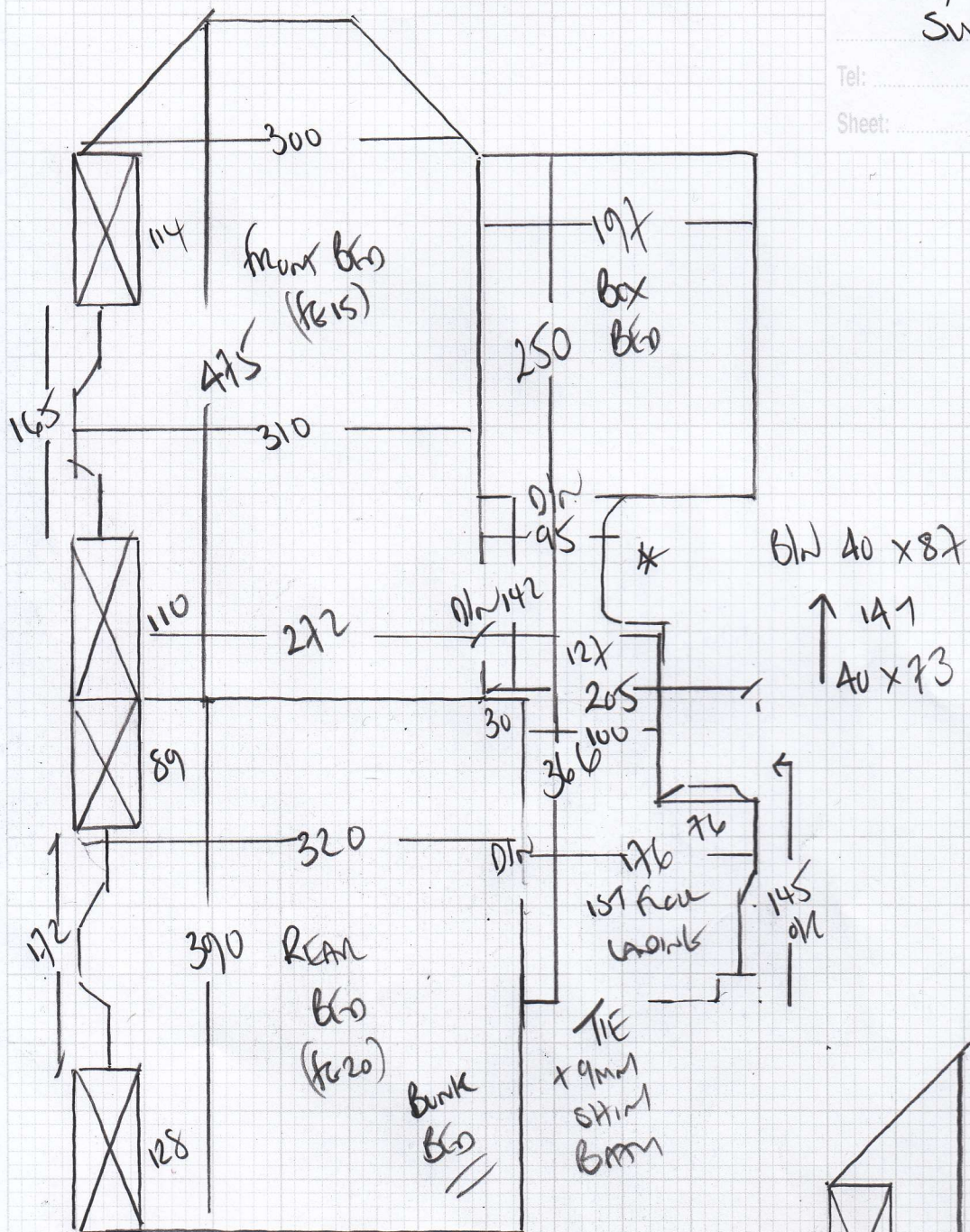
93.60m<sup>2</sup>

Job No: R18759  
 Name: BISHOP  
 Address: 19 WAININGTON RD  
 SW19 8EQ  
 Tel: \_\_\_\_\_  
 Sheet: \_\_\_\_\_ of: \_\_\_\_\_

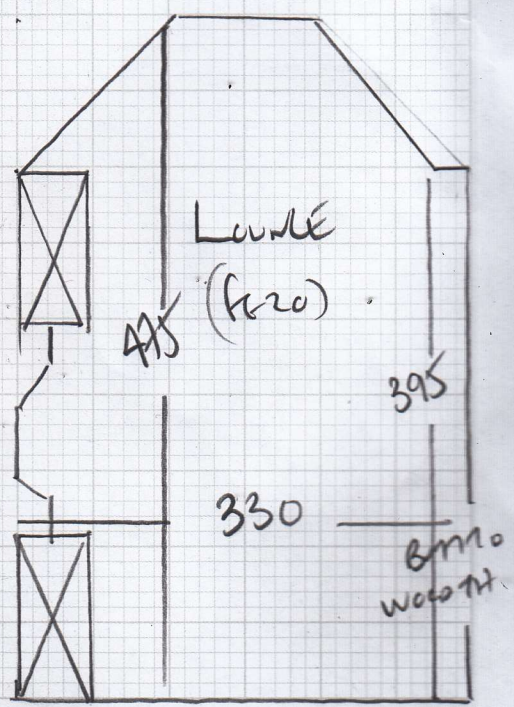


D15/W	45 x 95
W8	55 x 75
W7	85 x 102
W6	62 x 102
W5	60 x 80
	31
	45 x 75
W4	55 x 75
W3	85 x 104
W2	61 x 102
W1	60 x 78
IT	45 x 73

Job No: R18759  
 Name: Bishop  
 Address: 19 WINDYBANK ROAD  
 SW19 8EQ  
 Tel: \_\_\_\_\_  
 Sheet: \_\_\_\_\_ of: \_\_\_\_\_



WOOD FLOORS  
 UPSTAIR CARPET ON RUBBER  
 (ALBERTA)



R18759

2nd call of 2

Notes for Measure

Estimator: Colin

Mrs Fiona Bishop, 19 Wellington Road

Date of Measure: Fri, 11 Mar 22

At: tbc 8:30AM

Site Address:  
19 Wellington Road

Customer Address: School Run SMINS  
19 Wellington Road  
LONDON SW19 8EQ 88v885

LONDON SW19 8EQ

LONDON

CONTACT: As customer details

Mobile	Home	Office
07751-221703		

Email: fionaacbishop@gmail.com

Areas to be done and Description of Measure

4 Beds, Lounge, stairs and and landngs in Alboran col tbc

SAMPLE of MANX-CAOIR  
on SITE from OTHERS!!  
CASH SPAN

QUOTE 4 Bedrooms + Lounge in 1 Colour  
SIL in Different Colours

(THIS MAKES ROOMS  
A BIT WASTEFUL)

Instructions and Estimators comments

Not entered

A Bed + Lounge + Colour  
SIL Different Colours

Must Read! Not entered

Office Ref: R18759

Mrs Fiona Bishop, 19 Wellington Road

Date of Measure Fri, 11 Mar 22

At tbc

**Floor:**  Wood / Concrete / other \_\_\_\_\_  
**S/edge:**  Wood/Concrete/No pin/existing (if existing, allow \_\_ sticks to supplement where necessary)  
**Sticking Req'd:** Yes/ No Type: Fastset/Other  
**Underlay:** Re-use Existing /  New required  
**Type:** 42oz Felt / Fomalux /  PU Foam /  Luxury PU Foam / LowTog / Durafit  
**Doorbars:**  Alloy / Satin Ali / Polished Ali / Anod / Solid Brass / Chrome / Nisheen Seam/Wood/T/Holds: colour \_\_\_\_\_  
**Door Clearance:**  OK / Low ( advise on quote)  
**Uplift:** No /  Yes (if "Yes" - what type?) Ardena on Furo rubber  
**Furniture:** No  Yes (if YES, please specify the following) - 1 man / 2 men (Fitter to get paid) £ \_\_\_\_\_ total/per room  
**Parking Cost:** Free / £ \_\_\_\_\_ per hour  
**Parking Restrictions:** (type) / £ 930-  
**Congestion Zone:**  No / Yes  
**Access:**  Easy / Hard / 2 men req'd 1st + 2nd floor?  
**Runners:**  Whipping / Binding (if binding, specify type)  
**Tape size:** 1½"  2" / 3" / 5"  
**Style:**  Top taping / Side binding  
**Stairrods:** Type  \_\_\_\_\_ Nr \_\_\_\_\_ Size \_\_\_\_\_

**Must Read: Not entered**