

S33661

4th call of 6

Notes for Measure

Estimator: JOHNC

Mr Damon O'connell, 35 Madrid Road

Date of Measure: Tue, 18 Oct 22

At: 12-1pm

Site Address:

35 Madrid Road

Customer Address:

35 Madrid Road

LONDON

SW13 9PF

LONDON

SW13 9PF

CONTACT:

As customer details

Mobile

Home

Office

07957-244138

Email:

damonreelthing.com

Areas to be done and Description of Measure

AOS S/land 7 beds Felt U/lay make over Tramore CTS

Instructions and Estimators comments

Not entered

Must Read!

Not entered

Office Ref: S33661

Mr Damon O'connell, 35 Madrid Road

Date of Measure Tue, 18 Oct 22

At 12-1pm

Floor: Wood / Concrete / other \_\_\_\_\_

S/edge: Wood/Concrete/No pin/existing (if existing, allow \_\_\_ sticks to supplement where necessary)

Sticking Req'd: Yes/No Type: Fastset/Other

Underlay: Re-use Existing / New required

Type: 42oz Felt / Fomalux / PU Foam / Luxury PU Foam / LowTog / Durafit

Doorbars: Alloy / Satin Ali / Polished Ali / Anod / Solid Brass / Chrome / Nisheen  
Seam/Wood/T/Holds: colour \_\_\_\_\_

Door Clearance: OK / Low (advise on quote)

Uplift: No / Yes (if "Yes" - what type?) \_\_\_\_\_

Furniture: No/Yes (if YES, please specify the following) - 1 man / 2 men (Fitter to get paid) £ \_\_\_\_\_ total/per room

Parking Cost: Free / £ \_\_\_\_\_ per hour

Parking Restrictions: (type) / £ 10-12 PERMIT NEQ

Congestion Zone: No / Yes

Access: Easy / Hard / 2 men req'd / \_\_\_\_\_ floor?

Runners: Whipping / Binding (if binding, specify type)

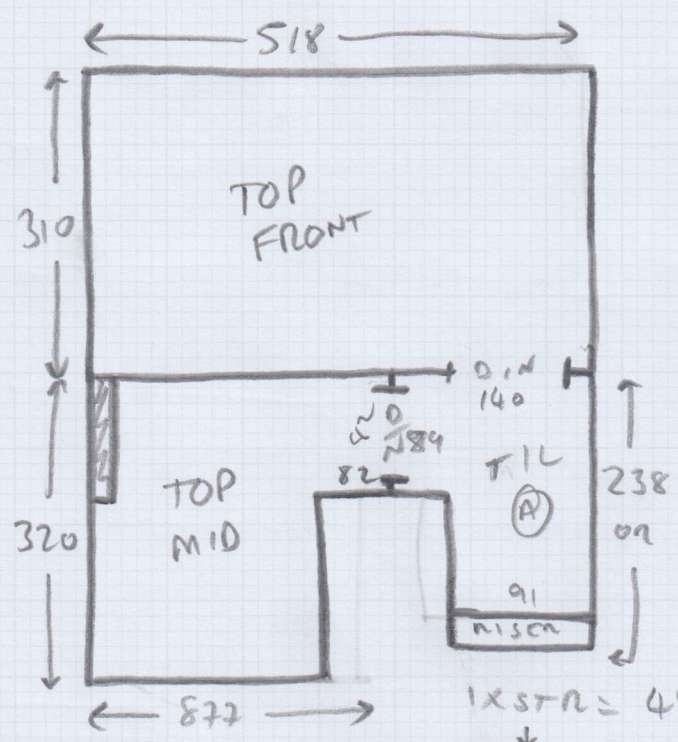
Tape size: 1 1/2" / 2" / 3" / 5"

Style: Top taping / Side binding

Stairrods: Type \_\_\_\_\_ Nr \_\_\_\_\_ Size \_\_\_\_\_

**Must Read: Not entered**

Job No: \_\_\_\_\_  
 Name: \_\_\_\_\_  
 Address: \_\_\_\_\_  
 Tel: \_\_\_\_\_  
 Sheet: \_\_\_\_\_ of: \_\_\_\_\_



1x STR = 45 x 91  
 ↓  
 1/4  
 ↓  
 1x STR = ? NOT BUILT

1/4 = 110 or x 82  
 1x ST = 45 x 82  
 W1 = 62 x 94  
 W2 = 70 x 118  
 W3 = 72 x 78  
 9x ST = 45 x 82  
 ↓ TO MAIN FLOOR

