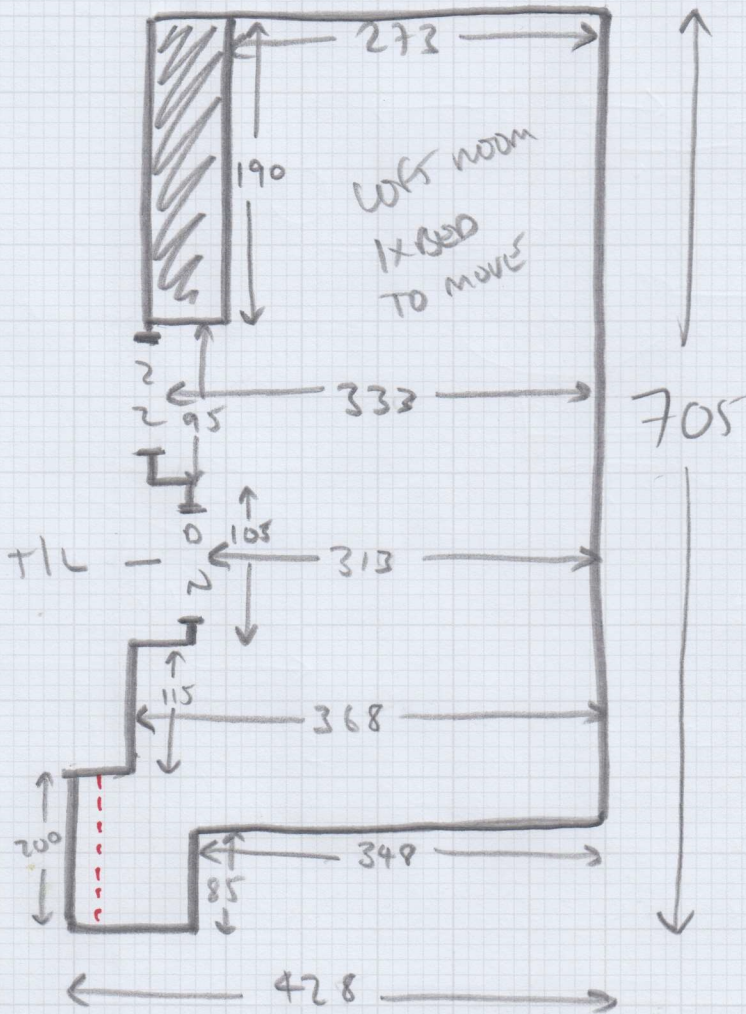
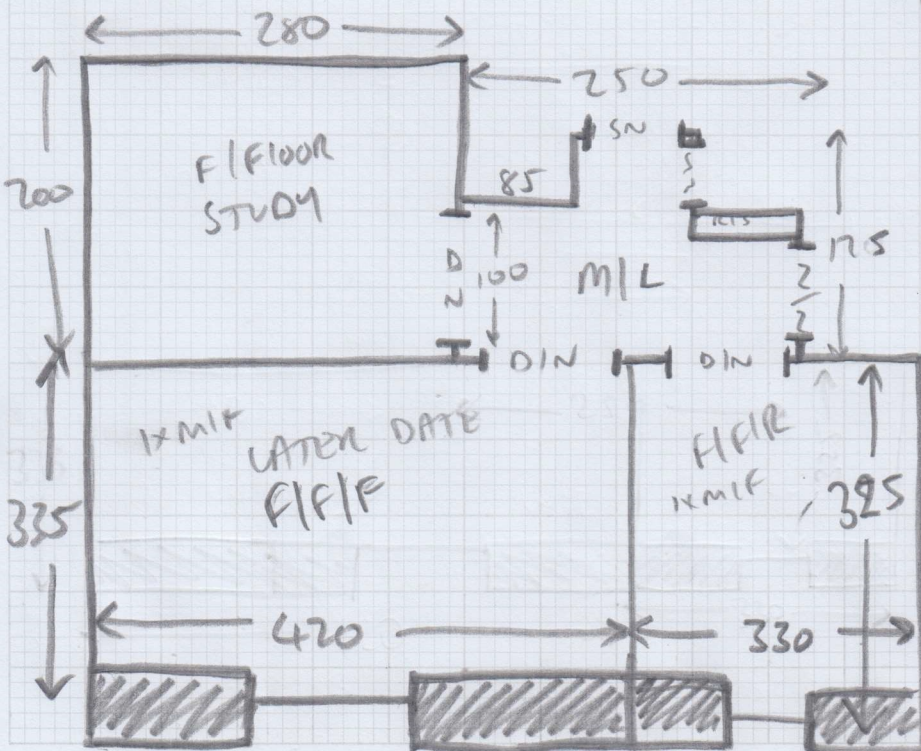


Job No: _____
 Name: _____
 Address: _____
 Tel: _____
 Sheet: _____ of: _____



- T/L = 101 or x 86
- 2x ST = 45 x 76
- W1 = 54 x 84
- W2 = 59 x 110
- W3 = 53 x 106
- W4 = 54 x 78
- 1x ST = 45 x 77
- W5 = 53 x 84
- W6 = 57 x 106
- W7 = 54 x 107
- W8 = 56 x 73
- 1x ST = 45 x 76
- BIN 1 = 45 x 110
↓ TO MIL



- MAIN STAG =
- 2x ST = 42 x 85
 - W9 = 62 x 96
 - W10 = 70 x 115
 - W11 = 63 x 74
 - 9x ST = 44 x 77
 - BIN 2 = 41 x 105



Job No:

Name:

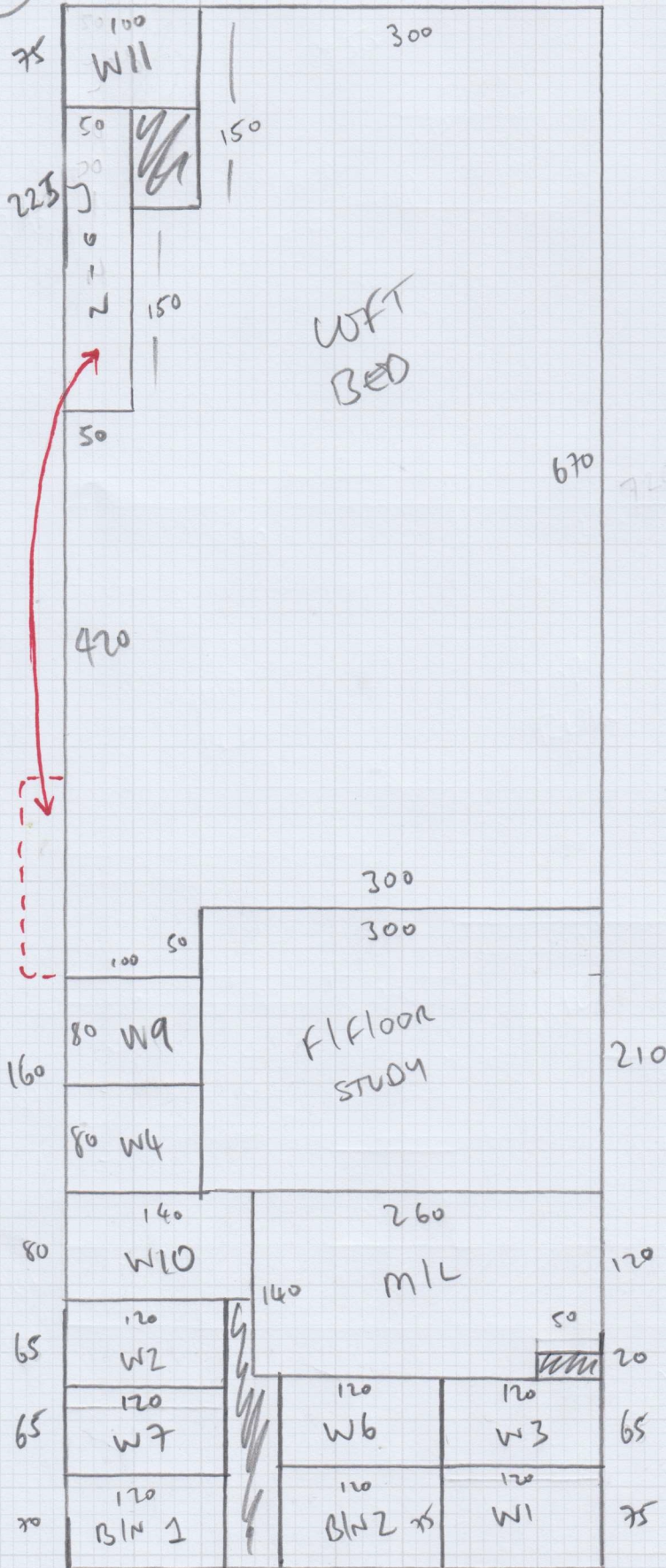
Address:

Tel:

Sheet: of:

1160 X 400

(A)



(B)

250

100	100	100	100	
S	S	S	T/L	120
X	X	X		
ST	ST	ST	100	
			WS	65
			100	
			W8	65

mrcarpets

Job No: _____

Name: _____

Address: _____

Tel: _____

Sheet: _____ of: _____

CUTS

PLAN (A) = $1160 \times 400 - 46.40 m^2$

PLAN (B) = $250 \times 400 - 10.00 m^2$

OPTIONAL

F/F/F = $430 \times 400 - 17.20 m^2$

F/F/R = $335 \times 400 - 13.40 m^2$