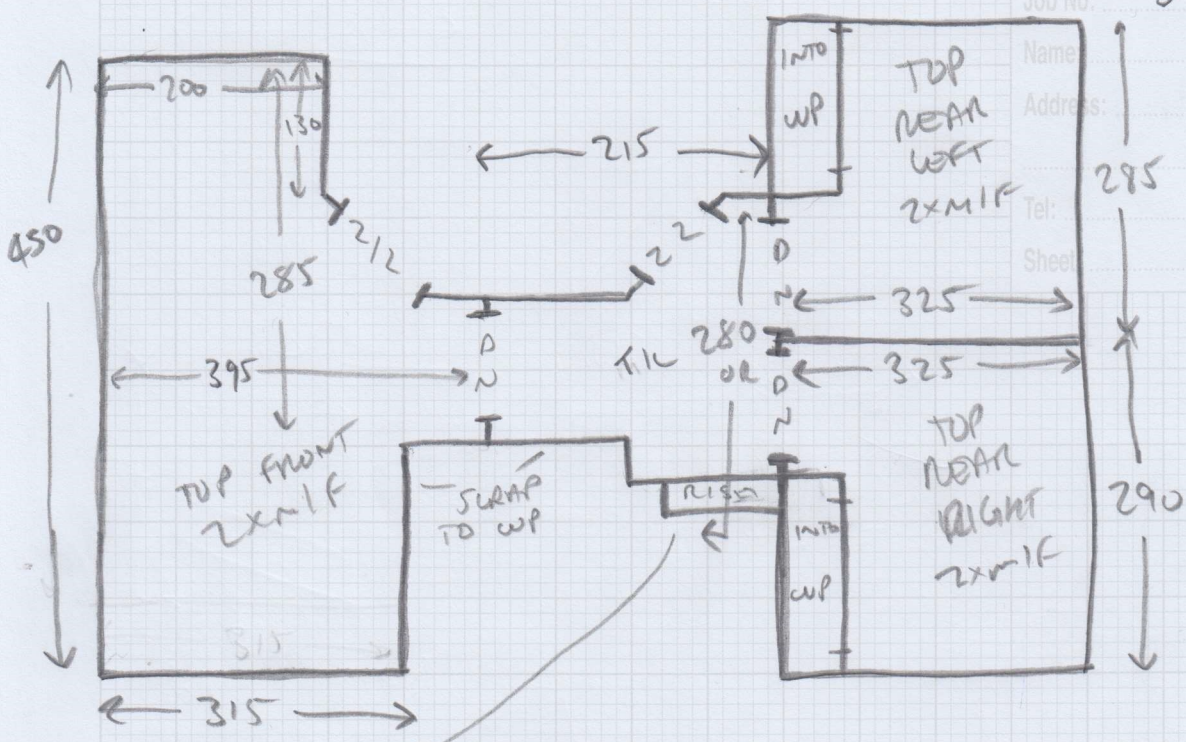
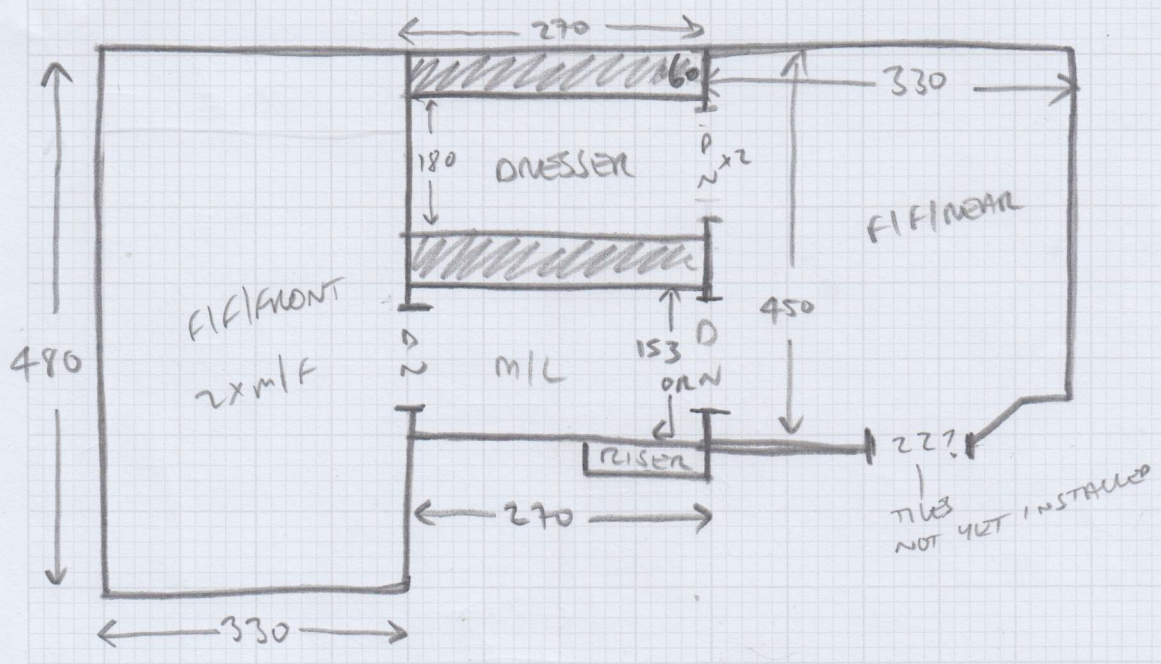


Job No: 533769
Name: _____
Address: _____
Tel: _____
Sheet _____ of _____



- 2x ST = 44x82 -
- W1 = 56x91 -
- W2 = 60x115 -
- W3 = 60x110 -
- W4 = 53x82 -
- 2x ST = 44x82 -
- W5 = 56x90 -
- W6 = 60x113 -
- W7 = 60x118 -
- W8 = 65x82 -
- 2x ST = 43x82 -
- ↓ TO M/L ↓



- 2x ST = 43x82 -
- W9 = 57x91 -
- W10 = 60x115 -
- W11 = 60x115 -
- W12 = 54x82 -
- 2x ST = 44x82 -
- W13 = 57x90 -
- W14 = 60x114 -
- W15 = 62x62 -
- W16 = 68x82 -
- 1x ST = 43x82 -
- B/N = 41x120

Job No: 833769

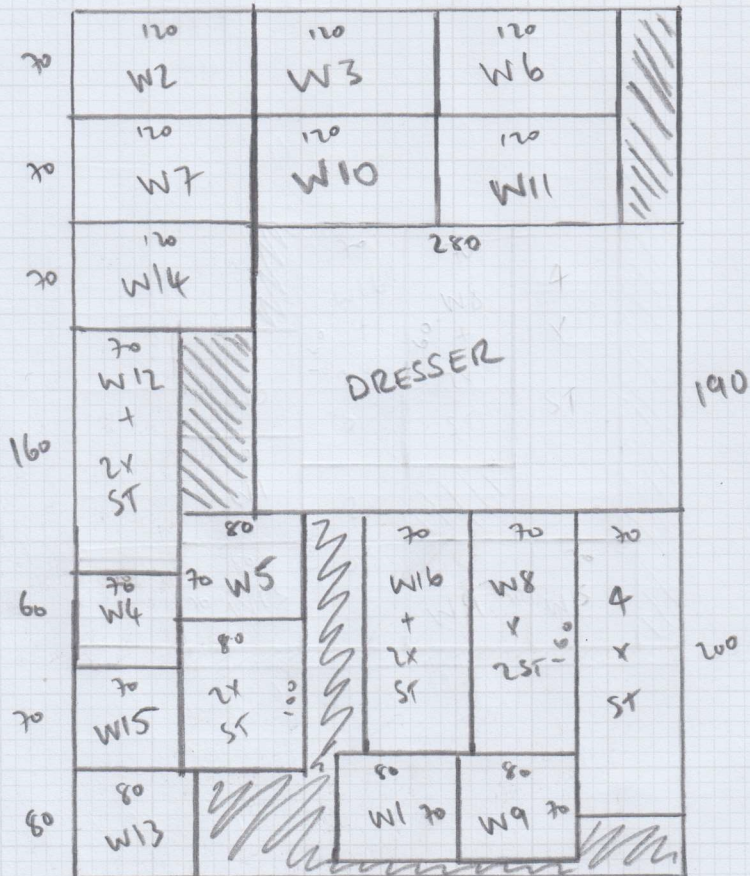
Name:

Address:

Tel:

Sheet: of:

OPTION 1



580 x 400
STAIRS AS RUNNER
+ DRESSER

OPTION 1



PLAN
REX

WTS
PLAN = 300 x 500
FIFIF = 340 x 500
FLFIR = 340 x 500
T/FI FRONT = 410 x 500
69.50 m² 1390 x 500

T/R/LEFT = 300 x 400
T/R/RIGHT = 300 x 400
24m² 600 x 400