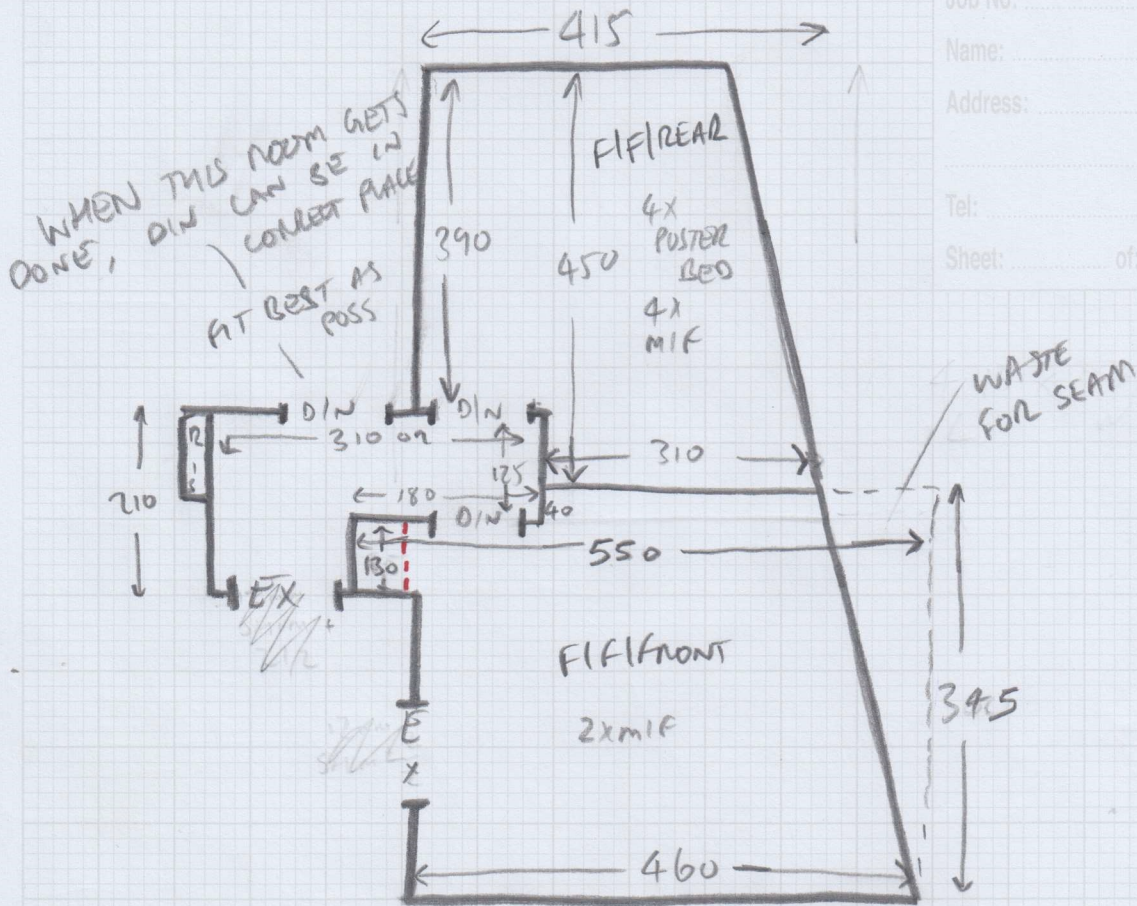




Job No:
Name:
Address:
Tel:
Sheet: of:



W1 = 65x92 -

W2 = 74x113 -

W3 = 70x77 -

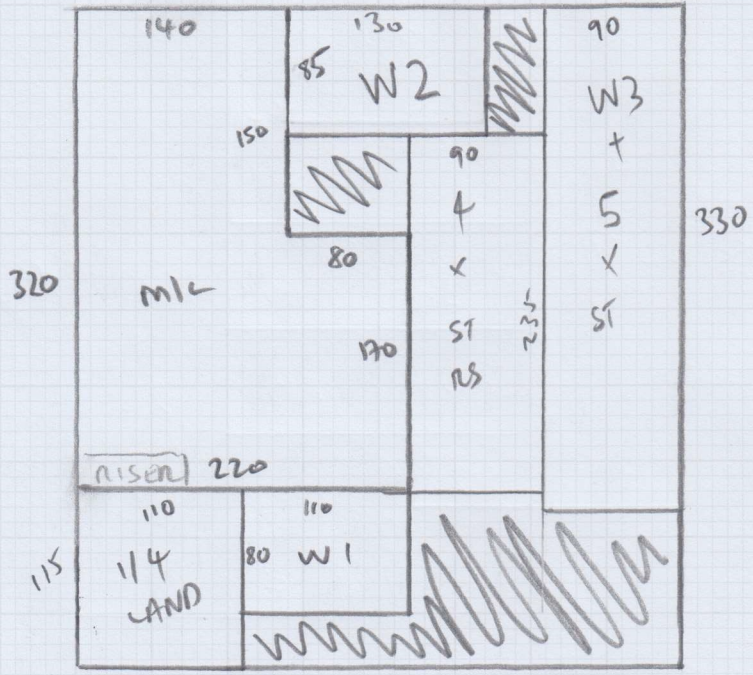
9x STD = 47x77 -

1/4 LAND = 105 OR x 100 -

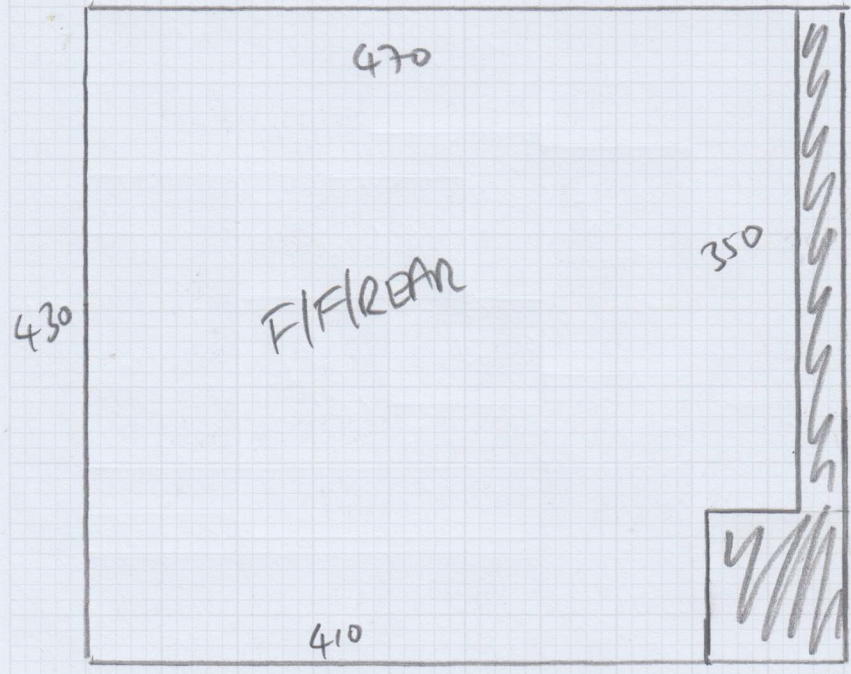
SPLIT JOB? LOTS OF FURN.



Job No: _____
 Name: _____
 Address: _____
 Tel: _____
 Sheet: _____ of: _____



4.35 x 4.00



FIF/REAR = 430 x 500
 FIF/FRONT = 360 x 500