



Job No: 535370

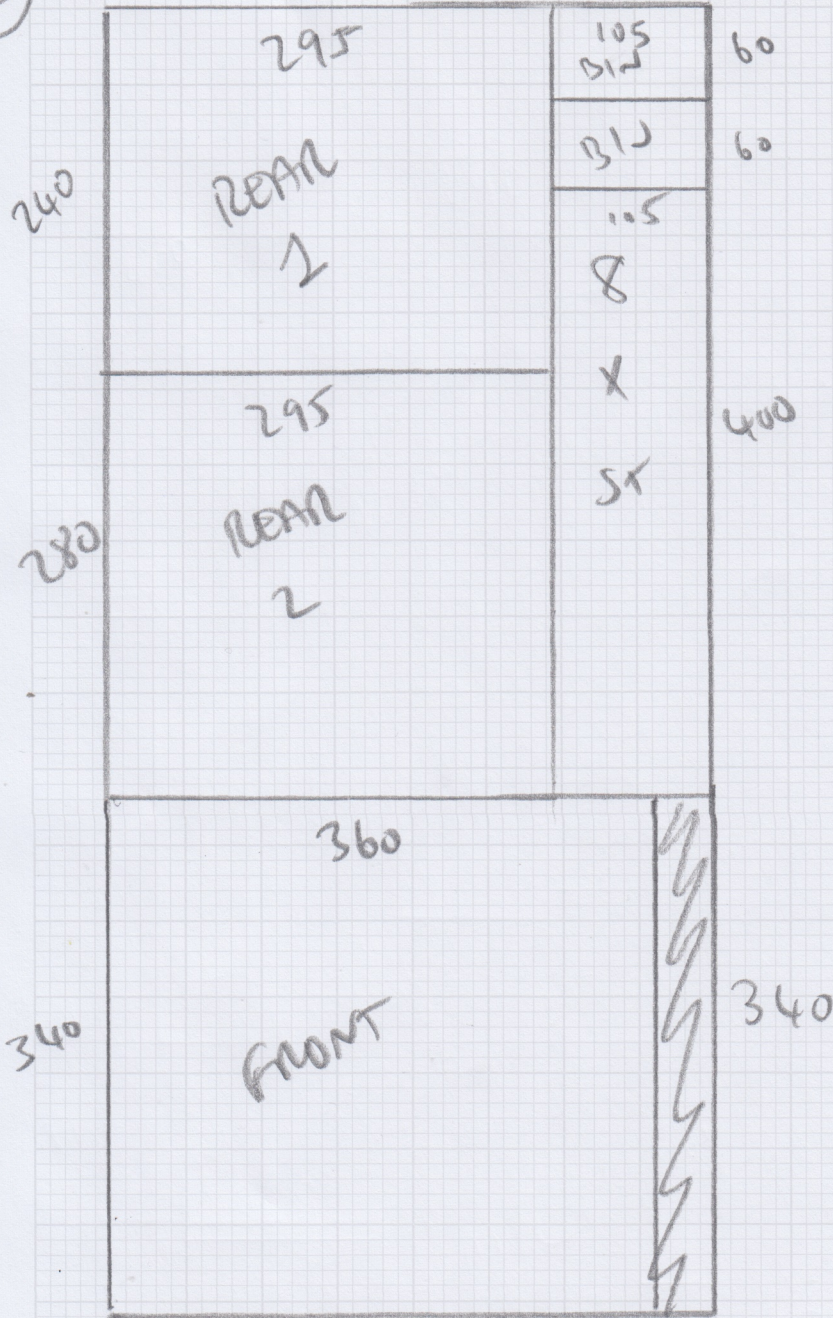
Name: .....

Address: .....

Tel: .....

Sheet: 2/3

(B)



CUTS

(A) = 11.80 x 4m

(B) = 8.60 x 4m

81.60 m<sup>2</sup>

Job No: S35370

Name:

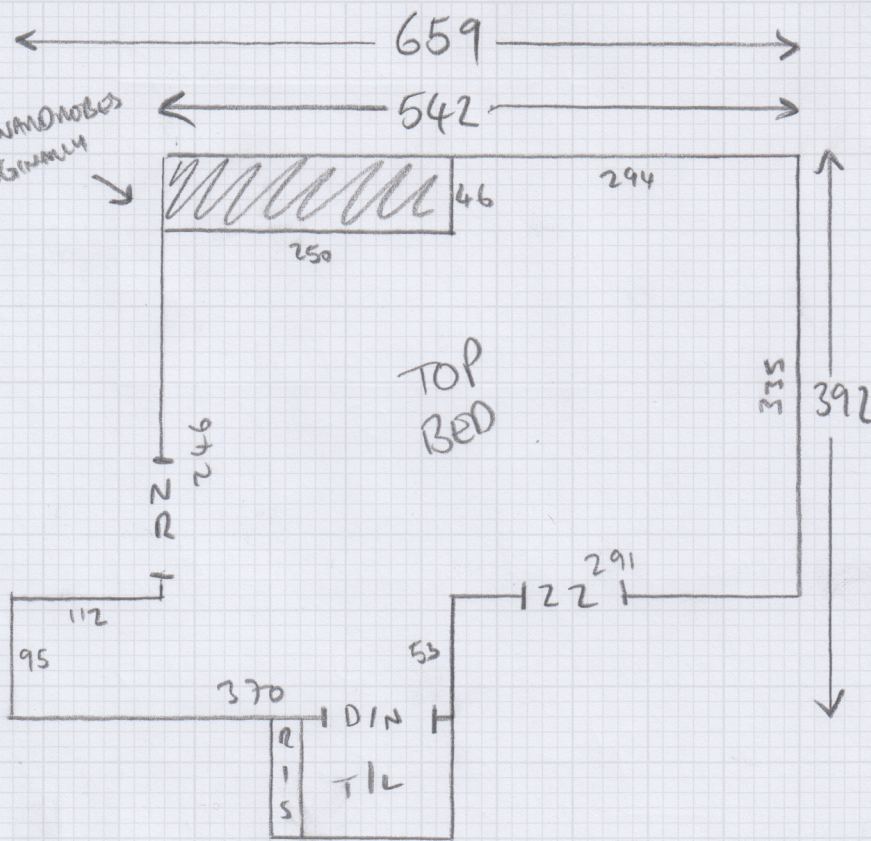
Address:

Tel:

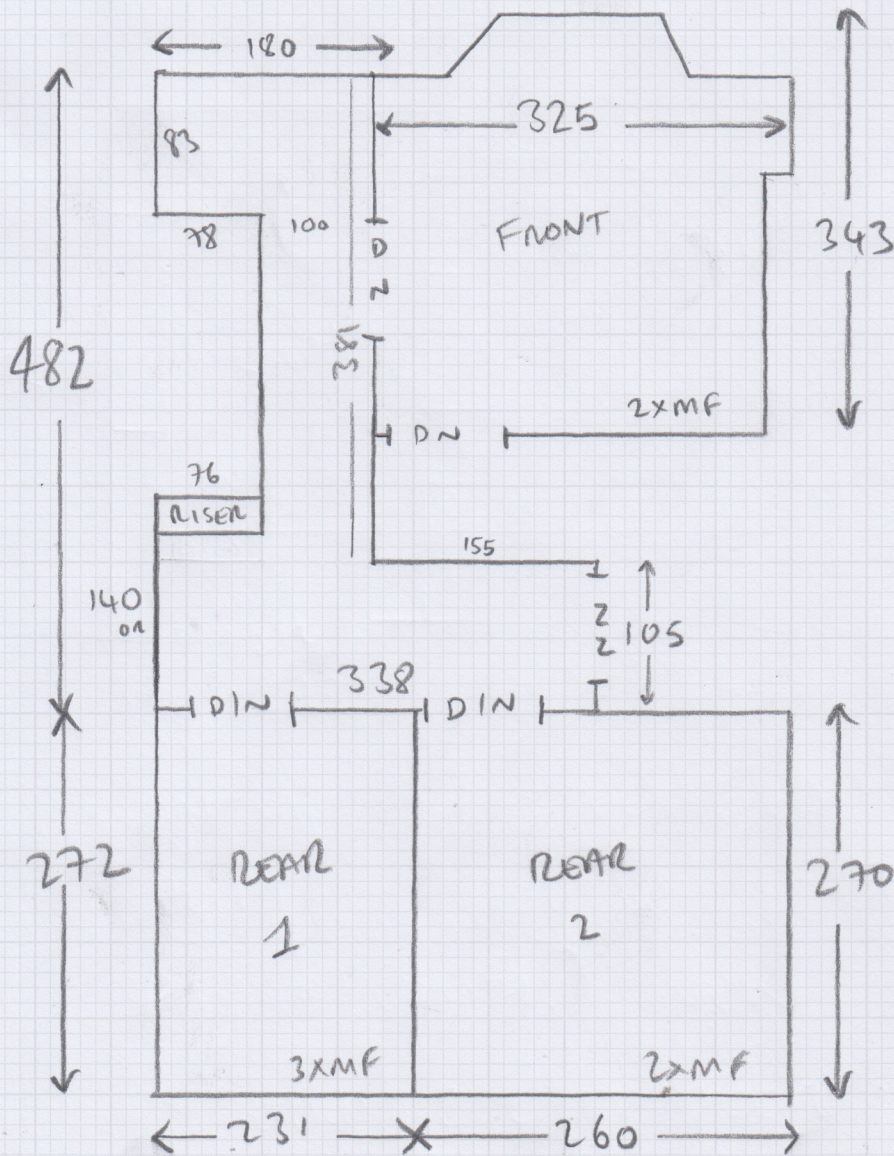
Sheet:

3/3

NEW WARDROBES  
TO BE MADE  
BIGGER



- T/L = 110 on x 92
- 12xST = 47x66
- BIN = 50x95
- MIL = PLAN
- 13xST = 45x72
- BIN 2 = 45x95
- ↓ TO GROUND ↓  
FLOOR



Mrs Judith Gerrad, 20 Ailsa Avenue

Date of Measure Mon, 27 Jan 25

At 10.00 / 11.00

Floor: Wood / Concrete / other \_\_\_\_\_

S/edge: Wood/Concrete/No pin/existing (if existing, allow \_\_\_ sticks to supplement where necessary)

Sticking Req'd: Yes/No Type: Fastset/Other

Underlay: Re-use Existing / New required

Type: 42oz Felt / Fomalux / PU Foam / Luxury PU Foam / LowTog / Durafit

Doorbars: Alloy / Satin Ali / Polished Ali / Anod / Solid Brass / Chromé / Nisheen  
Seam/Wood/T/Holds: colour \_\_\_\_\_

Door Clearance: OK / Low (advise on quote)

Uplift: No / Yes (if "Yes" - what type?) \_\_\_\_\_

Furniture: No/Yes (if YES, please specify the following) - 1 man / 2 men (Fitter to get paid) £ \_\_\_\_\_ total/per room

Parking Cost: Free £ \_\_\_\_\_ per hour

Parking Restrictions: (type) / £ PERMIT REQ

Congestion Zone: No / Yes

Access: Easy / Hard / 2 men req'd / fun floor?

Runners: Whipping / Binding (if binding, specify type)

Tape size: 1 1/2" / 2" / 3" / 5"

Style: Top taping / Side binding

Stairrods: Type \_\_\_\_\_ Nr \_\_\_\_\_ Size \_\_\_\_\_

**Must Read: JUDITH WILL HAVE A PERMIT**