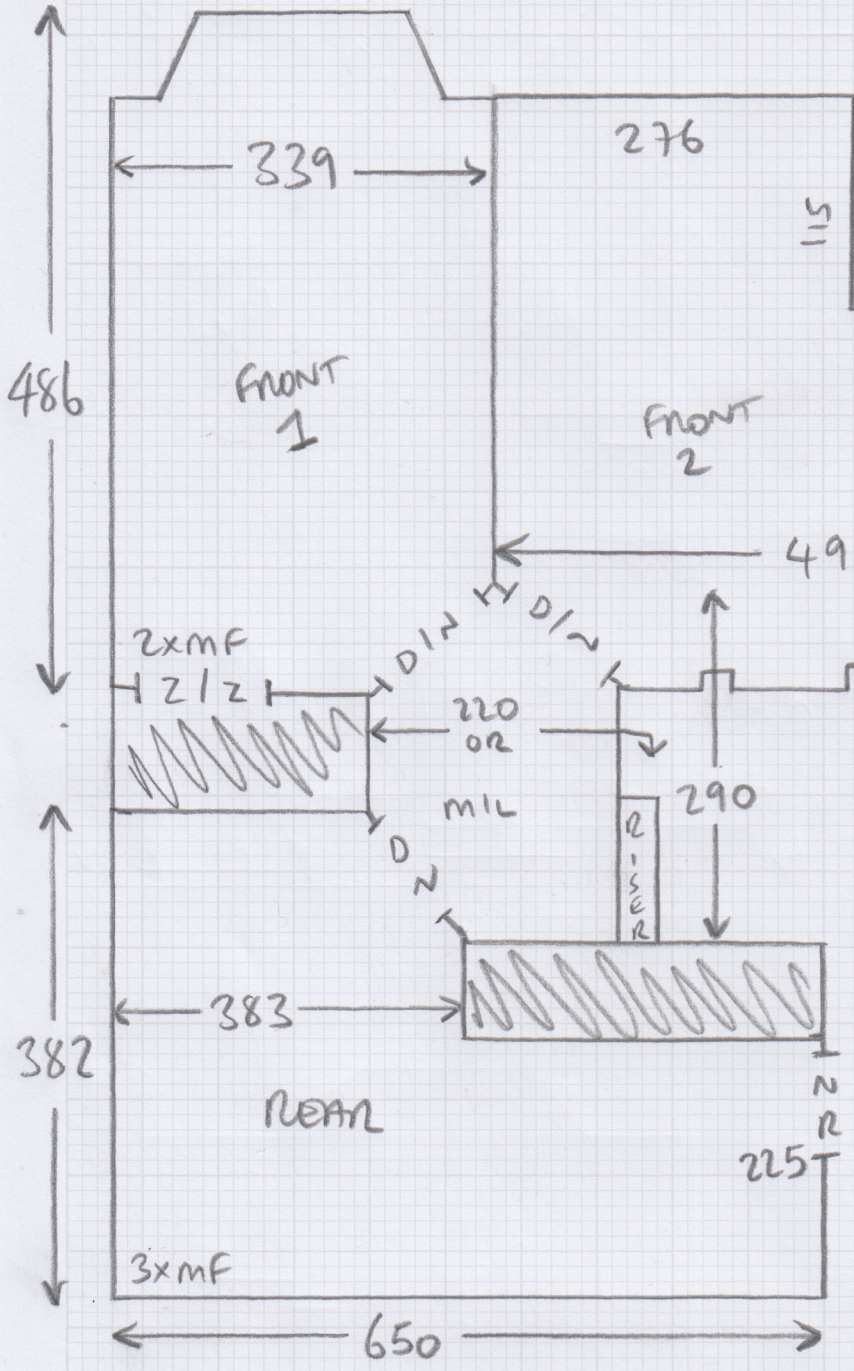
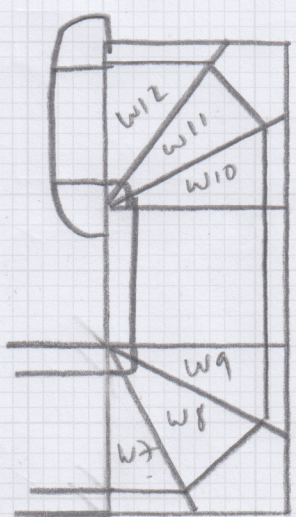


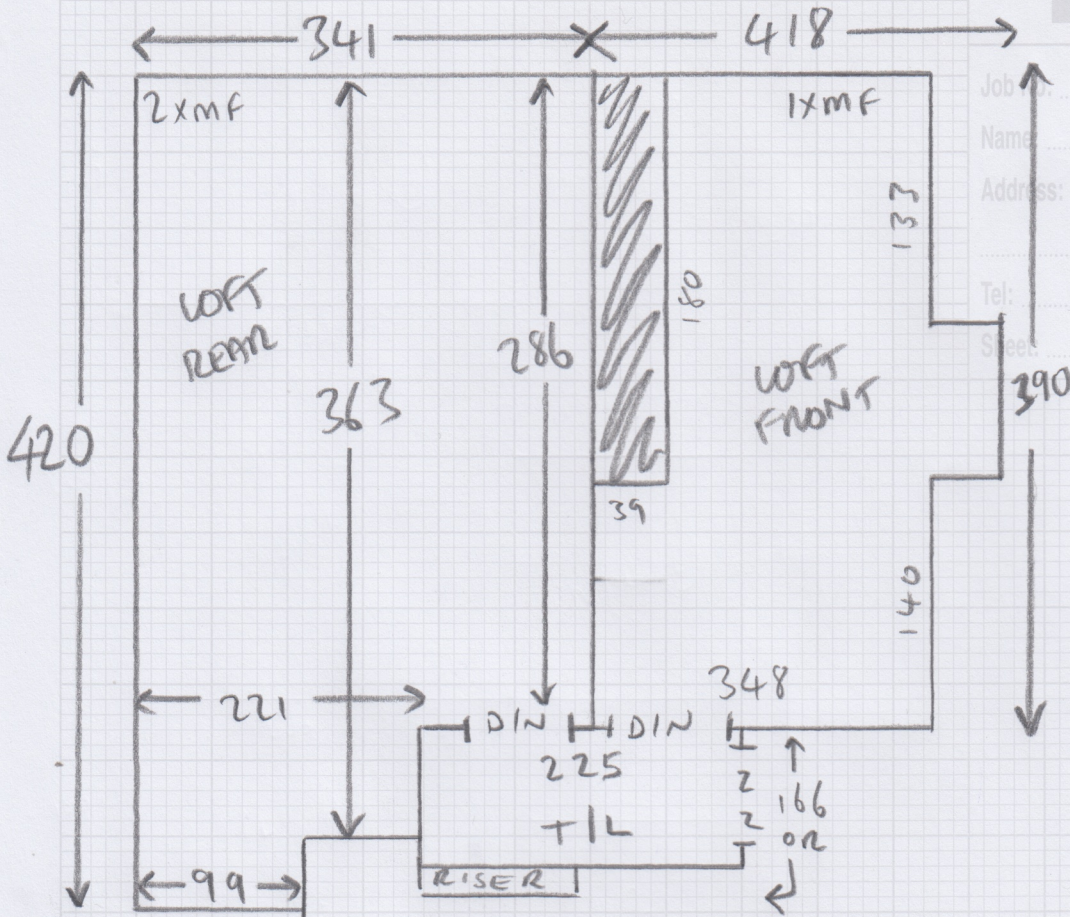
Job No: S35440
 Name: _____
 Address: 1/5
 Tel: _____
 Sheet: _____ of _____



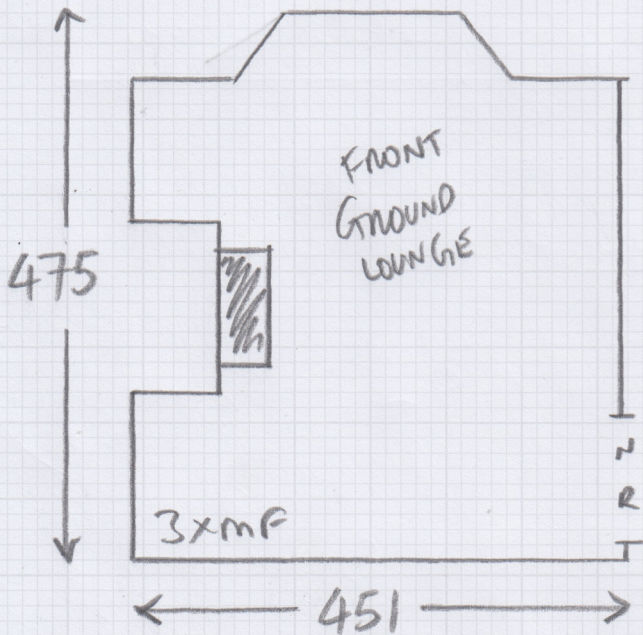
- ✓ MIL = PLAN
- ✓ 3xST = 45 x 85 (66) WML ENT
- ✓ W7 = 68 x 97
- ✓ W8 = 72 x 116
- ✓ W9 = 73 x 83
- ✓ 5xST = 45 x 85 (67.50) WML ENT
- ✓ W10 = 66 x 96 WML ENT
- ✓ W11 = 72 x 115
- ✓ W12 = 74 x 82
- ✓ 131N = 55 x 185



RUNNER WIDTH TBC
 (CURRENT SIZES)
 IN BRACKETS



Job: 535440
 Name: _____
 Address: 215
 Tel: _____
 Sheet: _____ of: _____



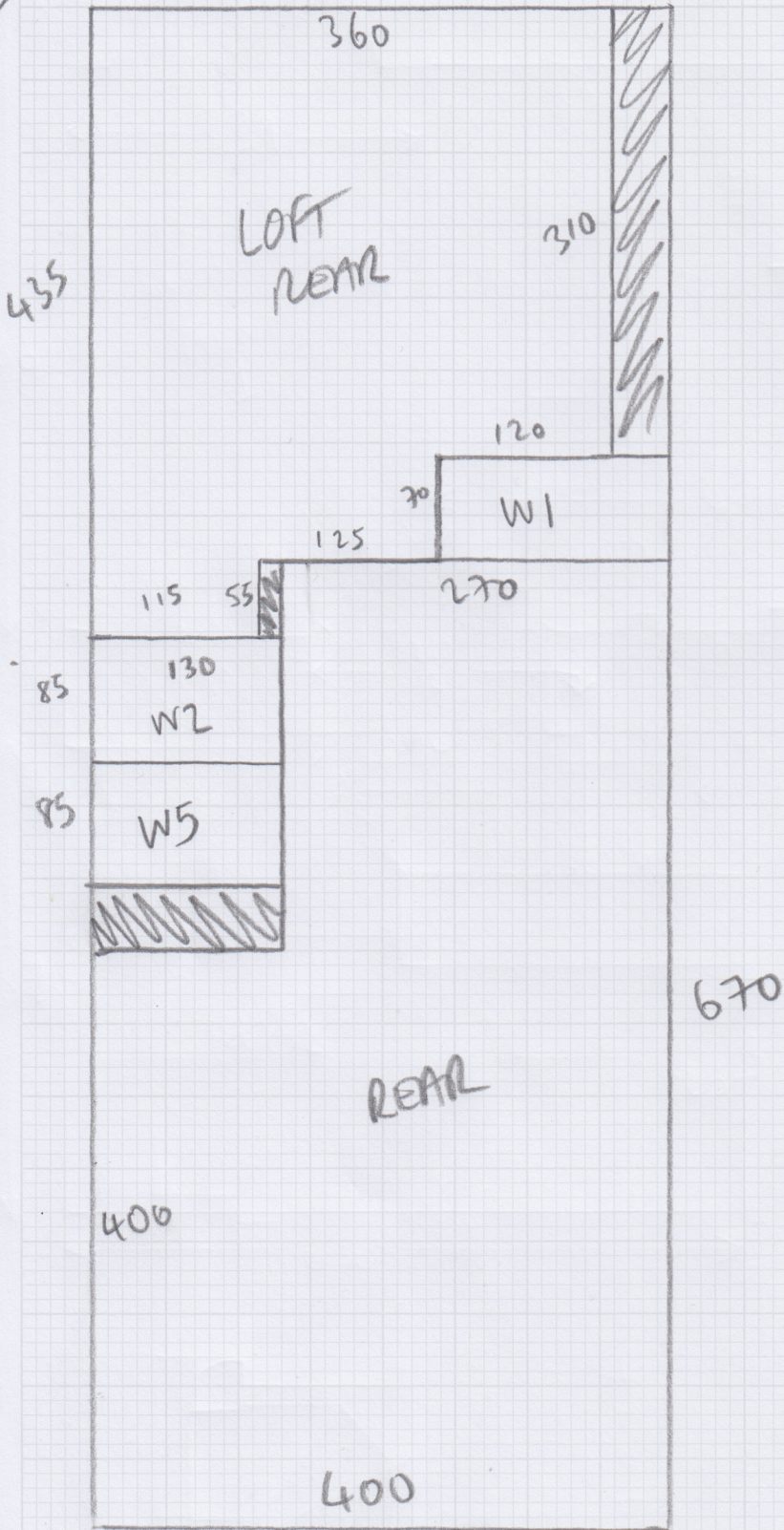
- ✓ T/L = PLAN
- ✓ 3xST = 45 x 87
- ✓ W1 = 65 x 97
- ✓ W2 = 73 x 119
- ✓ W3 = 72 x 84
- ✓ 1xST = 45 x 86
- ✓ W4 = 65 x 94
- ✓ W5 = 73 x 117
- ✓ W6 = 68 x 85
- ✓ 3xST = 45 x 86

(A)



mrcarpets
DESIGNS FOR FLOORS

Job No: 535440
Name: _____
Address: 315
Tel: _____
Sheet: _____ of: _____

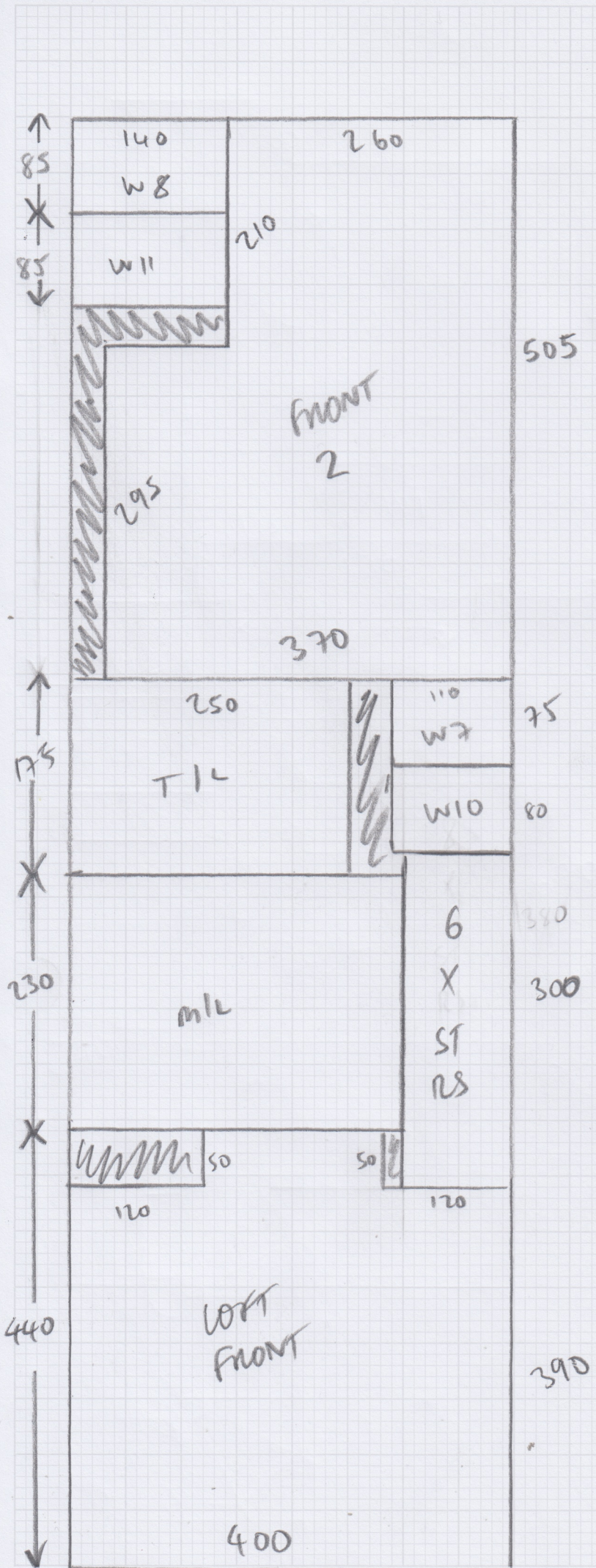


(B)



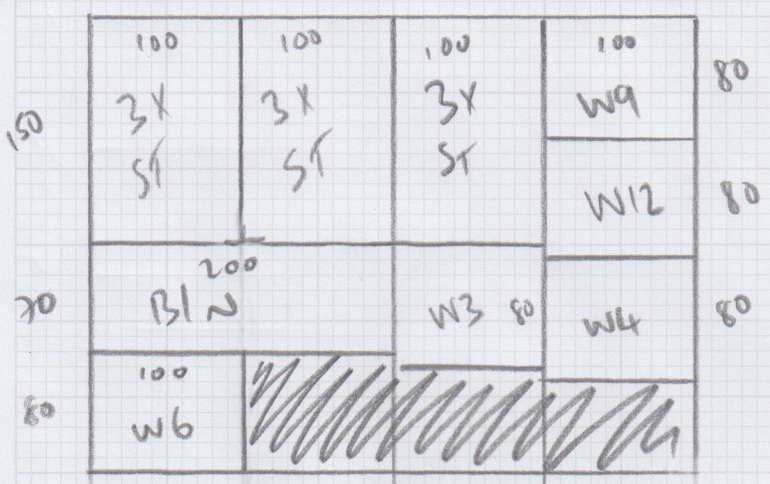
mircarpet
DESIGNS FOR FLOORS

Job No: 935440
Name: _____
Address: 4/5
Tel: _____
Sheet: _____ of: _____



(C)

Job No: S35440
Name:
Address: 5/5
Tel:
Sheet: of:



(A) = 1050 x 400

(B) = 1350 x 400

(C) = 300 x 400

FRONT = 500 x 400
1 (350)

FRONT LOUNGE = 465 x 500

S35440

1st call of 1

Notes for Measure

Estimator: Anthony

Mr W Townley, 24 Richmond Park Road

Date of Measure: Thu, 6 Mar 25

At: 9.30am Prompt

Site Address:

24 Richmond Park Road

Customer Address:

24 Richmond Park Road

LONDON

SW14 8JT

LONDON

SW14 8JT

CONTACT:

As customer details

Mobile

Home

Office

07970-486855

N/P

N/P

Email:

willtownley@hotmail.com

Areas to be done and Description of Measure

4 Beds (includes office) S/l x 2 Living room to be selected runner 1st flight possibly similar to current installation

COST SHEET TYPED
UP + PLANS SCANNED

Instructions and Estimators comments

Bill & his wife will viist Monday 17-03 please quantify sep cpt to s/land posible soft for beds

Must Read!

Please have quantified ready for shop viist

Office Ref: S35440

Mr W Townley, 24 Richmond Park Road

Date of Measure Thu, 6 Mar 25

At 9.30am Prompt

Material: Wood / Concrete / other _____

S/edge: Wood/Concrete/No pin/existing (if existing, allow __ sticks to supplement where necessary)

Sticking Req'd: Yes/No Type: Fastset/Other

Underlay: Re-use Existing / New required

Type: 42oz Felt / Fomalux / PU Foam / Luxury PU Foam / LowTog / Durafit

Doorbars: Alloy / Satin Ali / Polished Ali / Anod / Solid Brass / Chrome / Nisheen
Seam/Wood/T/Holds: colour _____

Door Clearance: OK / Low (advise on quote)

Uplift: No / Yes (if "Yes" - what type?) _____

Furniture: No/Yes (if YES, please specify the following) - 1 man / 2 men (Fitter to get paid) £ _____ total/per room

Parking Cost: Free / £ _____ per hour

Parking Restrictions: (type) / £ _____

Congestion Zone: No / Yes

Access: Easy / Hard / 2 men req'd / _____ floor?

Runners: Whipping / Binding (if binding, specify type)

Tape size: 1½" / 2" / 3" / 5"

Style: Top taping / Side binding

Stairrods: Type _____ Nr _____ Size _____

Must Read: Please have quantified ready for shop viist