

S35662

1st call of 2

Notes for Measure

Estimator: Anthony

Mrs Sophie Kent, 33 Park Drive

Date of Measure: Tue, 8 Jul 25

At: 9-10am

Site Address:

33 Park Drive

Customer Address:

33 Park Drive

LONDON

SW14 8RB

LONDON

SW14 8RB

CONTACT:

As customer details

Mobile
07876-351718

Home
N/P

Office
N/P

Email:
sophiekent@hotmail.com

Areas to be done and Description of Measure

AOS Mesure Office / spare room walk in from other bedroom of Enchanted CTS samples posted - Commission Louisa Moseley

5m WIDE ONLY
19mm THICK
+ U/LAY

Instructions and Estimators comments

NOT TYPICAL OFFICE USE , spare piece rug for Castor chair

01 DEBONAIR

BLONDE

02 CHIC

2x ROOMS

N/G TO SMALLER BDR

Must Read! Not entered

Office Ref: S35662

Mrs Sophie Kent, 33 Park Drive

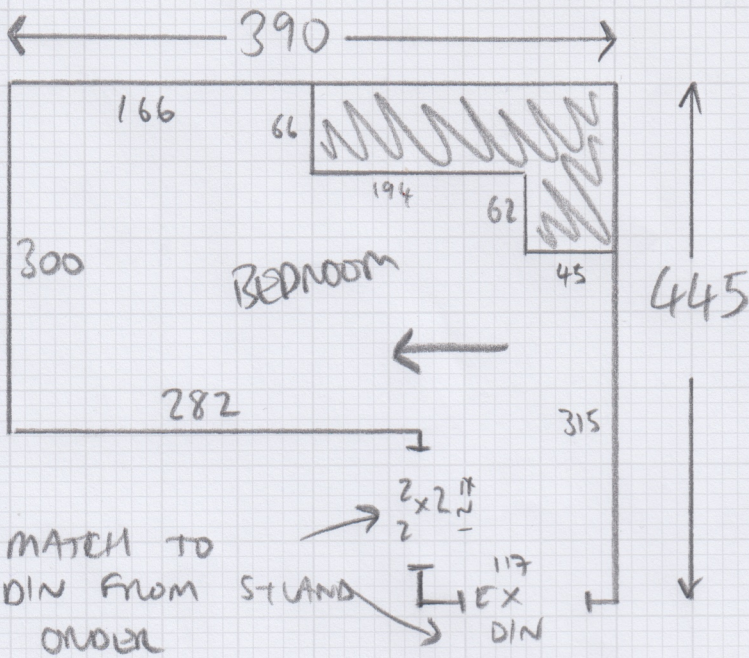
Date of Measure Tue, 8 Jul 25

At 9-10am

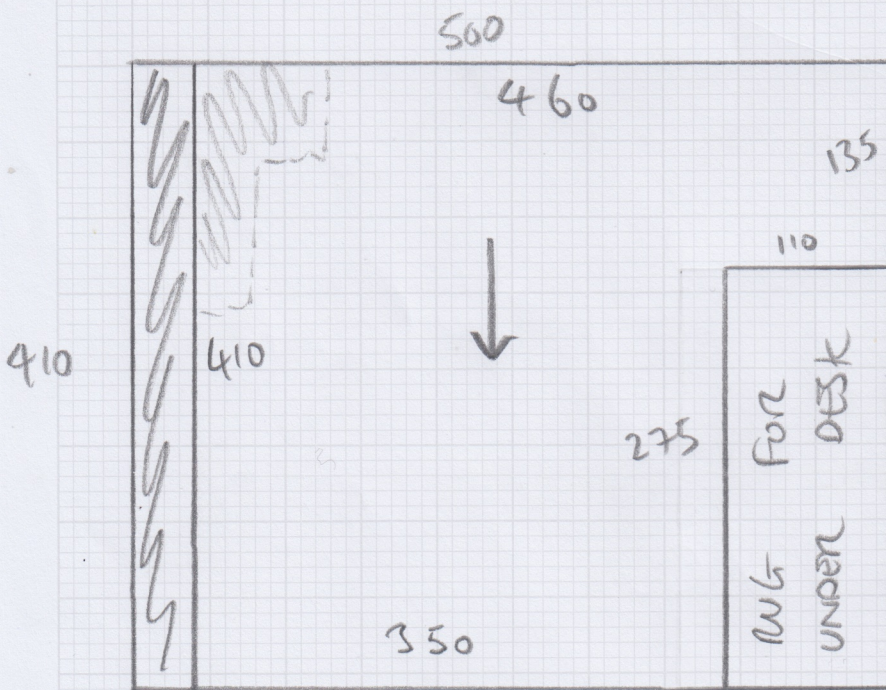
Substrate: Wood / Concrete / other _____
 S/edge: Wood/Concrete/No pin/existing (if existing, allow ___ sticks to supplement where necessary) *S/E DOWN ALREADY BUT DOUBLE BANK IF THICK CRT*
 Sticking Req'd: Yes/No No Type: Fastset/Other
 Underlay: Re-use Existing / New required
 Type: 42oz Felt / Fomalux / PU Foam / Luxury PU Foam / LowTog / Durafit
 Doorbars: Alloy / Satin Ali / Polished Ali / Anod / Solid Brass / Chrome / Nisheen
 Seam/Wood/T/Holds: colour THE SAME AS PREV ORDER
 Door Clearance: OK / Low (advise on quote) *- WOOL TWIST CURRENT*
 Uplift: No / Yes (if "Yes" - what type?) _____
 Furniture: No/Yes (if YES, please specify the following) - 1 man / 2 men (Fitter to get paid) £ _____ total/per room *BUNK BED + DESK*
 Parking Cost: Free / £ _____ per hour
 Parking Restrictions: (type) / £ _____
 Congestion Zone: No / Yes *- POTENTIALLY VERY HARD CARPET.*
 Access: Easy / Hard / 2 men req'd / _____ floor?
 Runners: Whipping / Binding (if binding, specify type)
 Tape size: 1½" / 2" / 3" / 5"
 Style: Top taping / Side binding
 Stairrods: Type _____ Nr _____ Size _____

Must Read: Not entered

Job No: 535662
 Name: _____
 Address: _____
 Tel: _____
 Sheet: 1/1

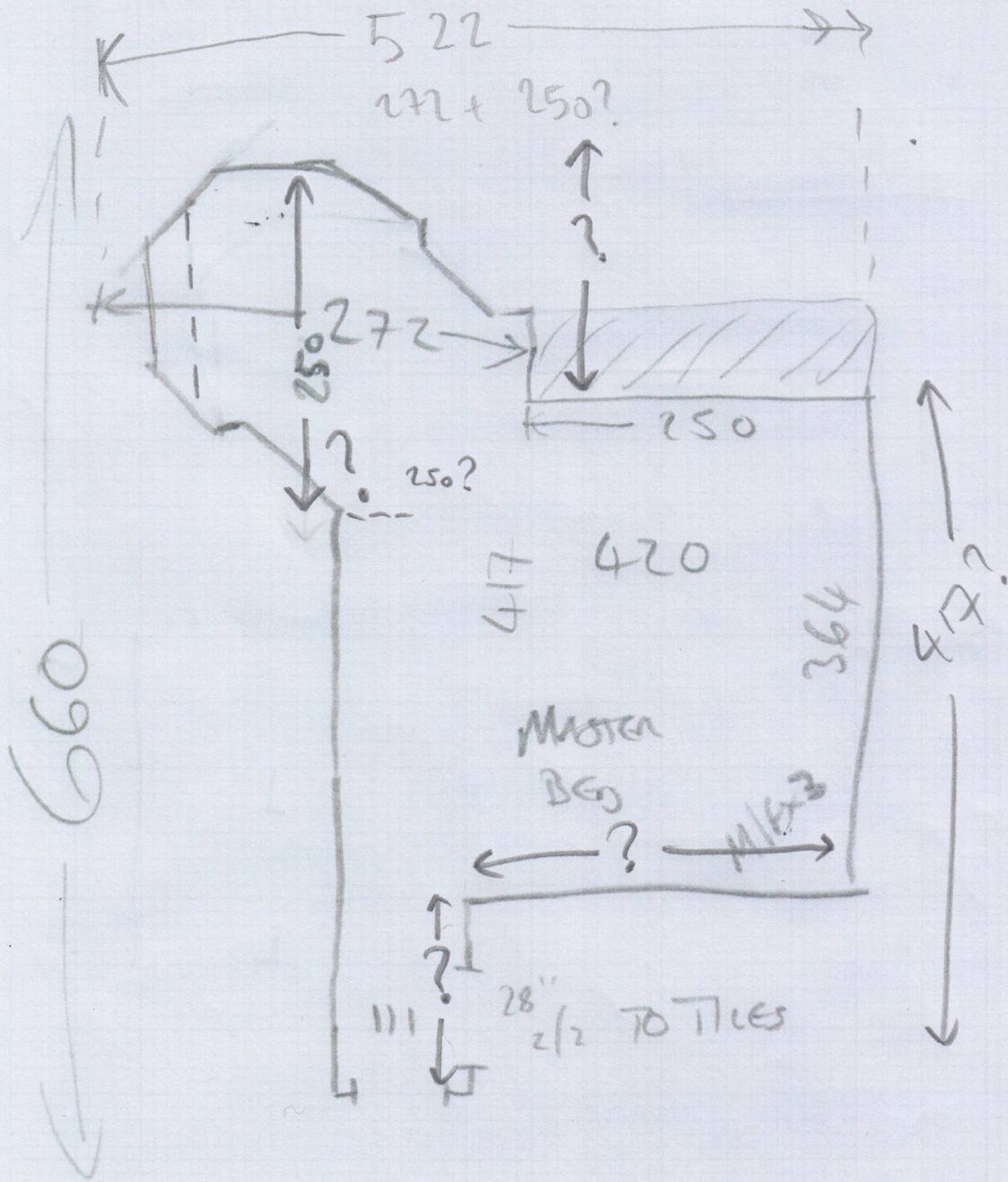


- BUNK BED + DESK
- U/D MEK
- EX SIE



IF 5m
 410 x 500

SJS426
KENT





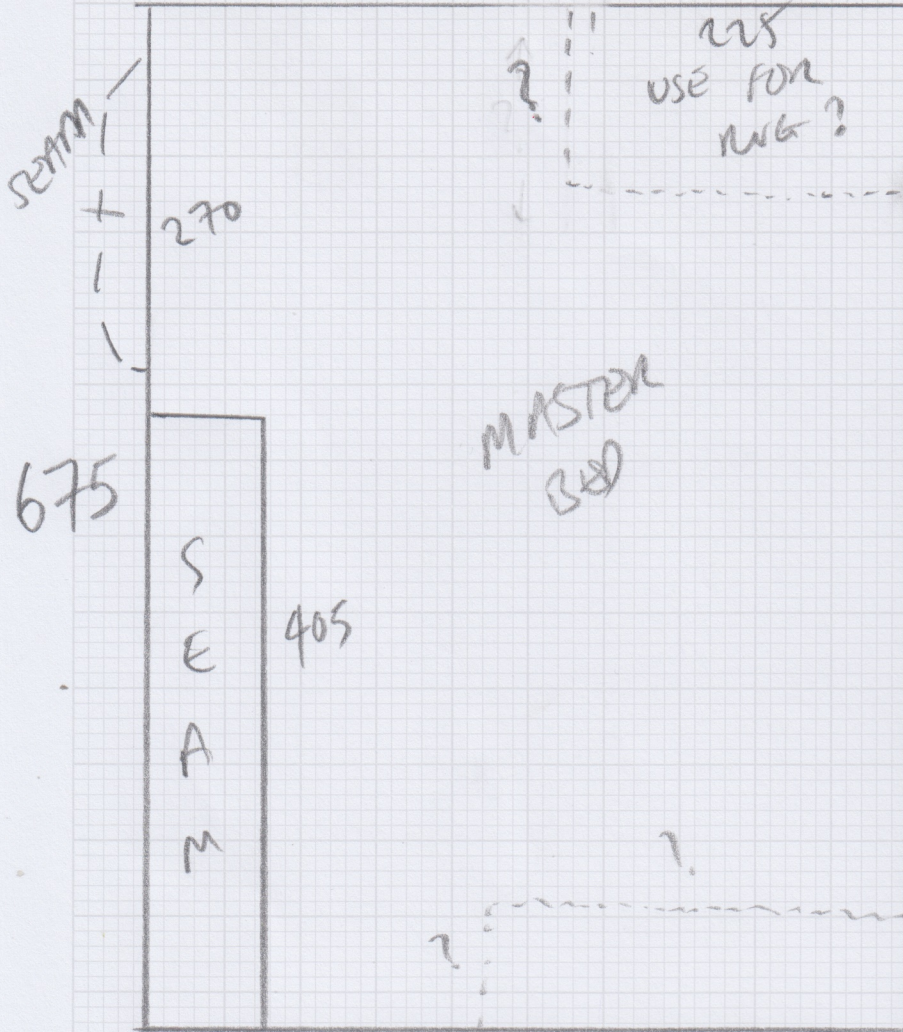
Job No:

Name:

Address:

Tel:

Sheet: of:



675 x 500



Job No:

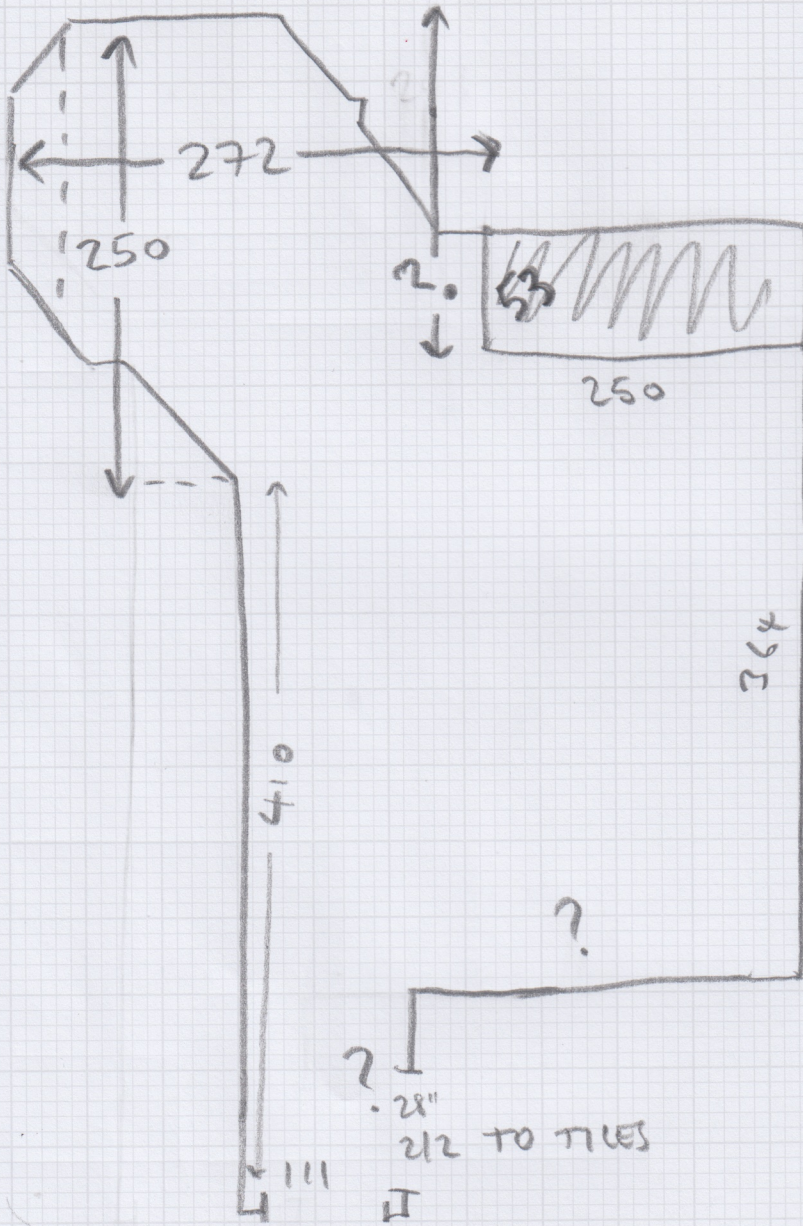
Name:

Address:

Tel:

Sheet: of:

522



660