

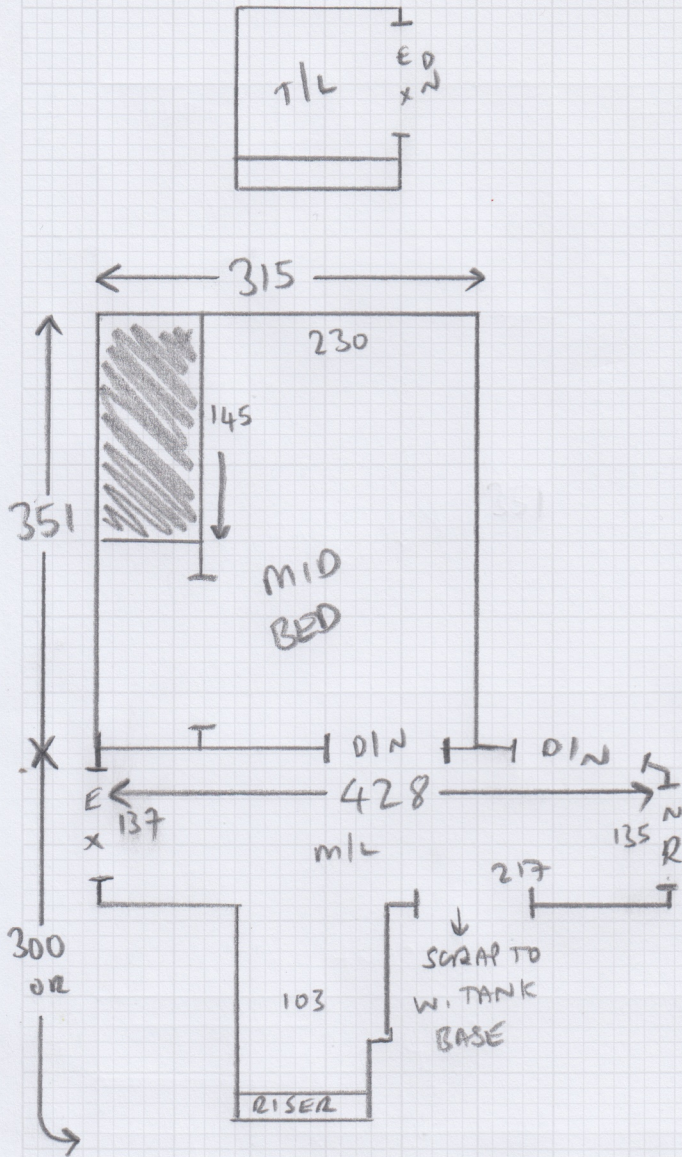
Job No: STR10E

Name: S35745

Address:

Tel: 1/2

Sheet: of:



✓ T/L = 110 or x 90

✓ 12xST = 45 x 75

✓ BIN = 45 x 90

MLL = SEE PLAN

✓ 1xST = 45 x 79

✓ 1/4 = 102 or x 80

✓ 1xST = 45 x 81

✓ 1/4 (B) = 106 or x 81

✓ 9xST = 45 x 81

✓ BIN 2 = 100 x 177