

F30795

1st call of 2

Notes for Measure

Estimator: Chris

Kathleen O' Kane, 56 King Henry's Reach

Date of Measure: Thu, 8 Jan 26

At: 12.00pm - 1.00pm

Site Address:

56 King Henry's Reach

Customer Address:

56 King Henry's Reach

LONDON

W6 9RH

LONDON

W6 9RH

CONTACT:

As customer details

Mobile

Home

Office

07732-175057

020-3524-8942

Email:

kathleeneokane@gmail.com

Areas to be done and Description of Measure

Measure living room & hallway

Instructions and Estimators comments

Rutland 50oz Cornflower

Must Read!

TAKE LIGHT BLUE & LIGHT BEIGE SAMPLES (RUTLAND)

Office Ref: F30795

Kathleen O' Kane, 56 King Henry's Reach

Date of Measure Thu, 8 Jan 26

At 12.00pm - 1.00pm

Floor: Wood / Concrete / other _____

S/edge: Wood/Concrete/No pin/existing (if existing, allow __ sticks to supplement where necessary)

Sticking Req'd: Yes/No Type: Fastset/Other

Underlay: Re-use Existing / New required

Type: 42oz Felt / Fomalux / PU Foam / Luxury PU Foam / LowTog / Durafit

Doorbars: Alloy / Satin Ali / Polished Ali / Anod / Solid Brass / Chrome / Nisheen
Seam/Wood/T/Holds: colour _____

Door Clearance: OK / Low (advise on quote)

Uplift: No / Yes (if "Yes" - what type?) _____

Furniture: No/Yes (if YES, please specify the following) - 1 man / 2 men (Fitter to get paid) £ _____ total/per room **X15**

Parking Cost: Free / £ _____ per hour
out front

Parking Restrictions: (type) / £ _____

Congestion Zone: No / Yes

Access: Easy / Hard / 2 men req'd / 2nd floor? *Sts + lift*

Runners: Whipping / Binding (if binding, specify type)

Tape size: 1½" / 2" / 3" / 5"

Style: Top taping / Side binding

Stairrods: Type _____ Nr _____ Size _____

Must Read: TAKE LIGHT BLUE & LIGHT BEIGE SAMPLES (RUTLAND)



Job No:

Name:

Address:

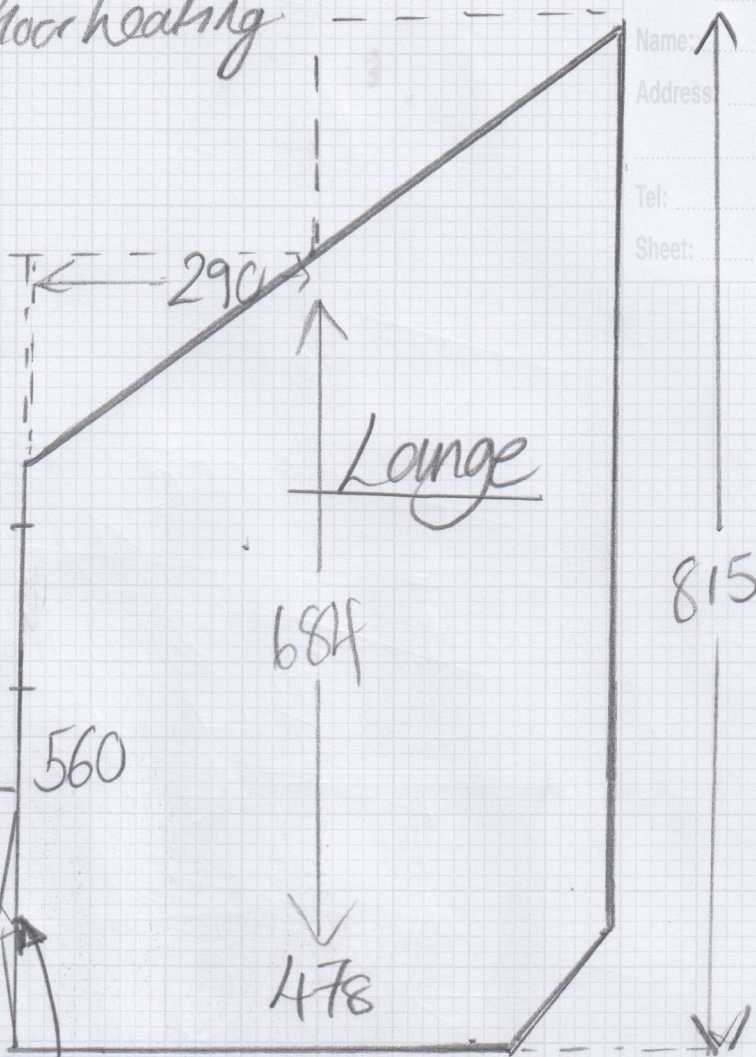
Tel:

Sheet:

F/30795

O'Kane

Under-floor heating



To Kitchen Tiles (S) Glued.

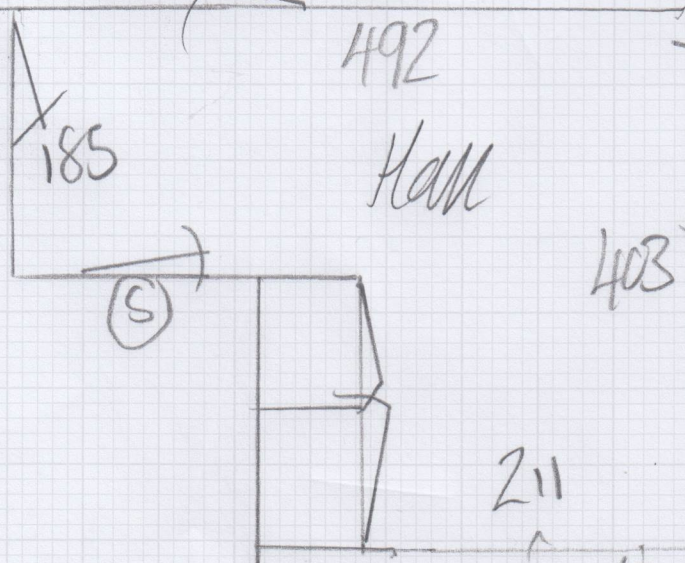
492 Hall

403

O'Kane

Doors not on
→ Please seam! ← carpet layers with tiles

carpet layers with tiles



492

Hall

403

211

F/O

Seam 2 LINIM

To Lounge

lounge floor