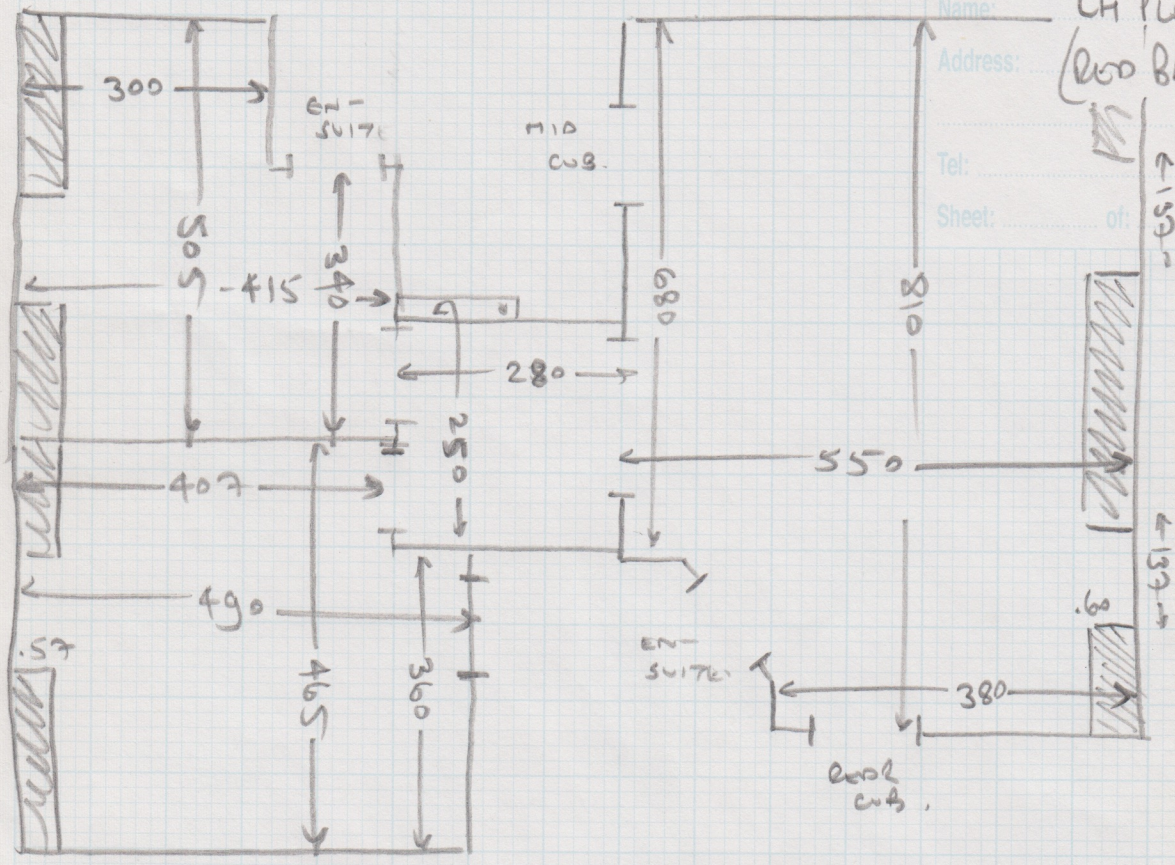
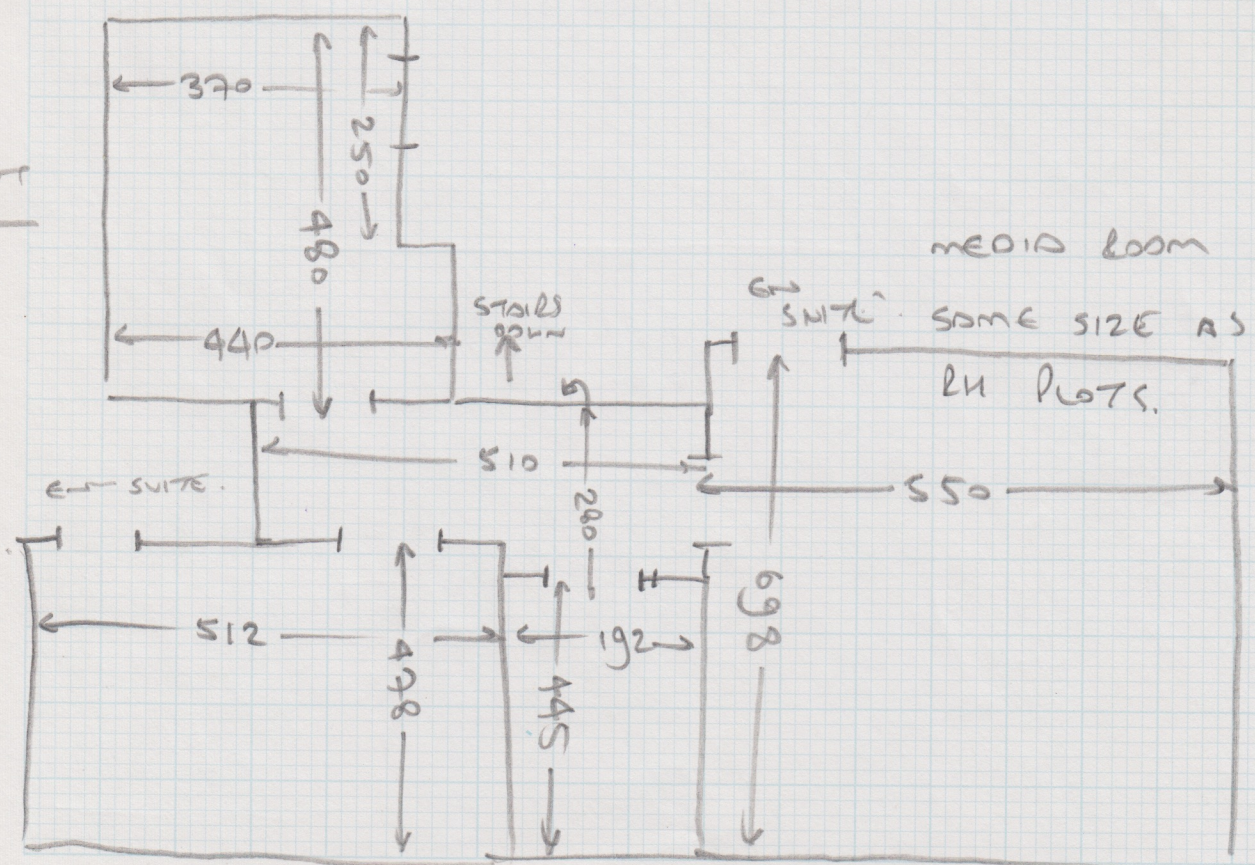


Job No: _____
 Name: LH PLOT
 Address: (200 BECKES)
 Tel: _____
 Sheet: _____ of _____

TOP FLOOR



1st FLOOR



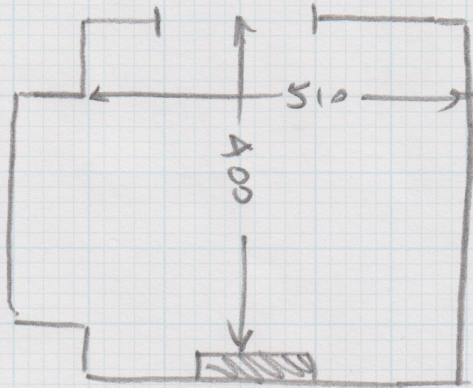
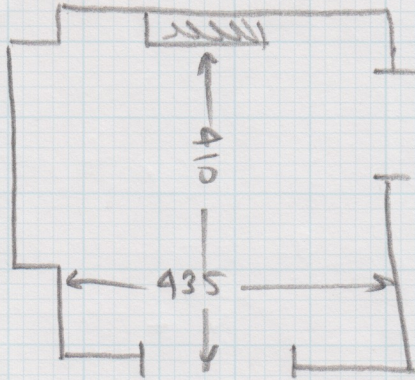


GROUND FLOOR

IF LARGE LOG MEASUREMENTS ONLY. NOT FOR FITTED CPT.

Job No: _____
Name: LH PLOTS
Address: (200 BRICKS)
Tel: _____
Sheet: _____ of: _____

FRONT
←



BASEMENT

MEDIA ROOM SAME AS
RH PLOT ACCORDING TO MICHAEL ELLING

5.50 x 6.93