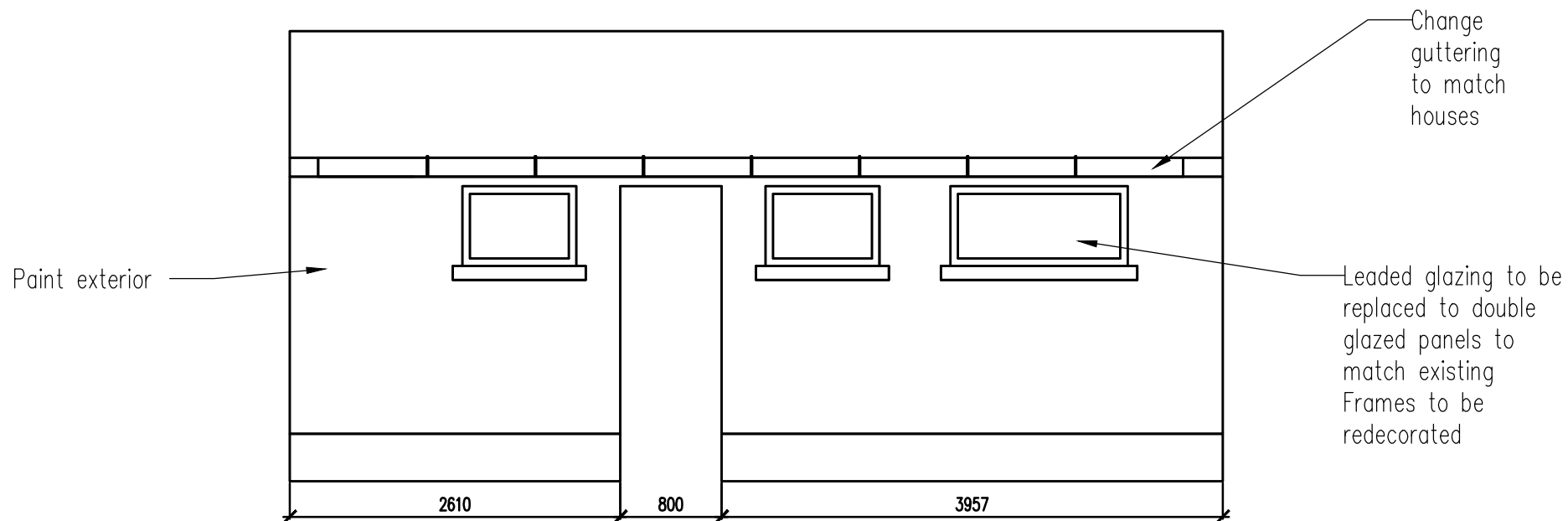
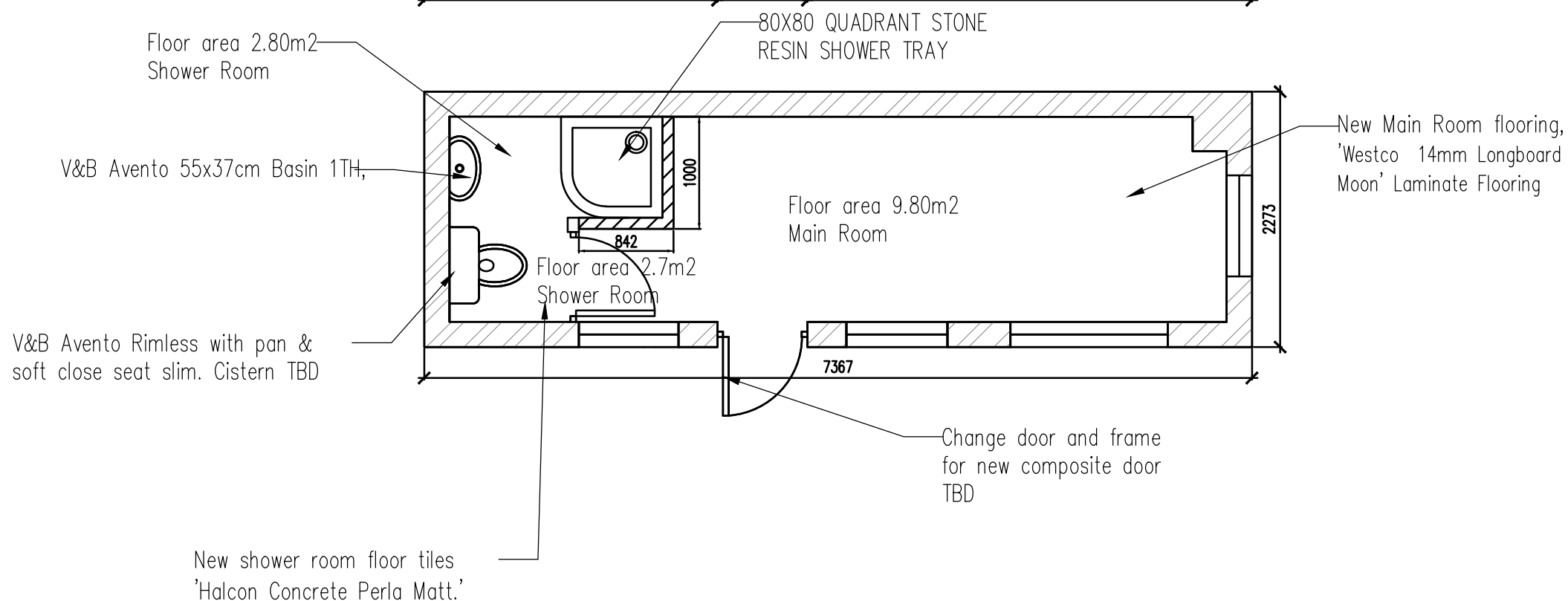


(ELEVATION)

Keep clay tiles



(PLAN)



This drawing is subject to copyright of Love Jenkins Associates. Reproduction only with written authority.

Do not scale from this drawing  
All dimensions must be checked on site and any discrepancies verified with the contract administrator

All new and existing building work dimensions are critical to the construction process.

All drawings marked "preliminary" are not to be built or manufactured from.

All structural work, where mentioned on this drawing, is subject to suitable structural and civil engineer approval before work commences.

These plans may be subject to "Planning and Building Regulation Approval" or any other statute in law before the commencement of building works.

Drawing reproduced from original drawing created by Start to Finish GB Ltd

REV	INITIALS	DESCRIPTION	DATE
-	-	-	-

PROJECT 3067  
Garden Hill, Dorking

DRAWING PURPOSE  
Construction Issue

CLIENT  
Palmerston Securities Limited

**Proposed Outhouse** **3067 / 210**

SCALE	DATE	DRAWN	CHECKED	REVISION
1:50 @ A3	31/10/17	DG	-	-



123 HIGH STREET EPSOM KT19 8EB SURREY  
t. 01372 749143 e. post@lovejenkins.com w. lovejenkins.com