

Job No: R
 Name: Shrik
 Address: 24 LATHARI LANE
 SS RICHMOND ROAD
 Tel: SW20 0TF
 Sheet: of:

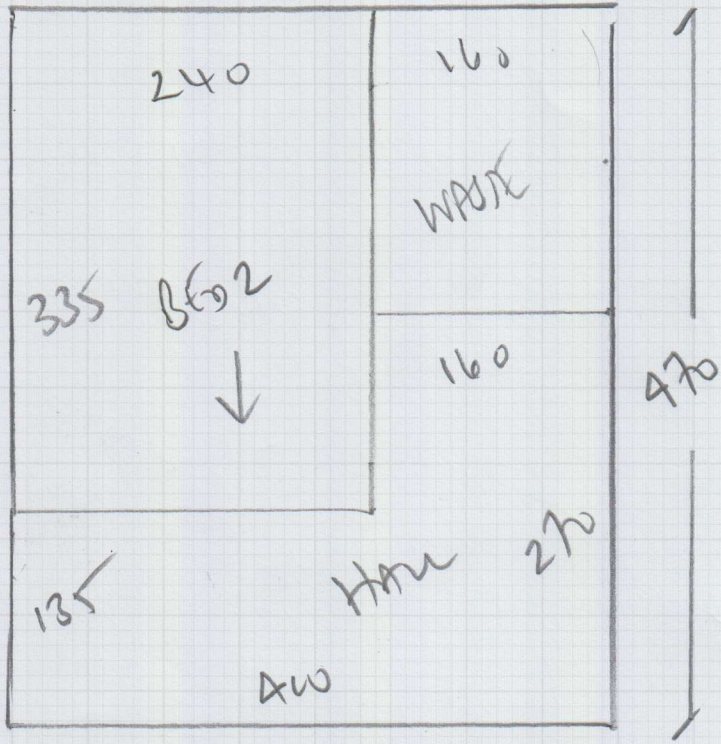
SM WOODLANDS

HANNAH LUT ELITE
 MAGNOLIA

Plan 390 x 500
 Larder 345 x 500
 Bto 1 345 x 500
 1080 x 500

54m²

Job No: _____
 Name: Strunk
 Address: 24 LANTAN LANE
SS16 5LN WICK
 Tel: SW20 0FF
 Sheet: _____ of: _____

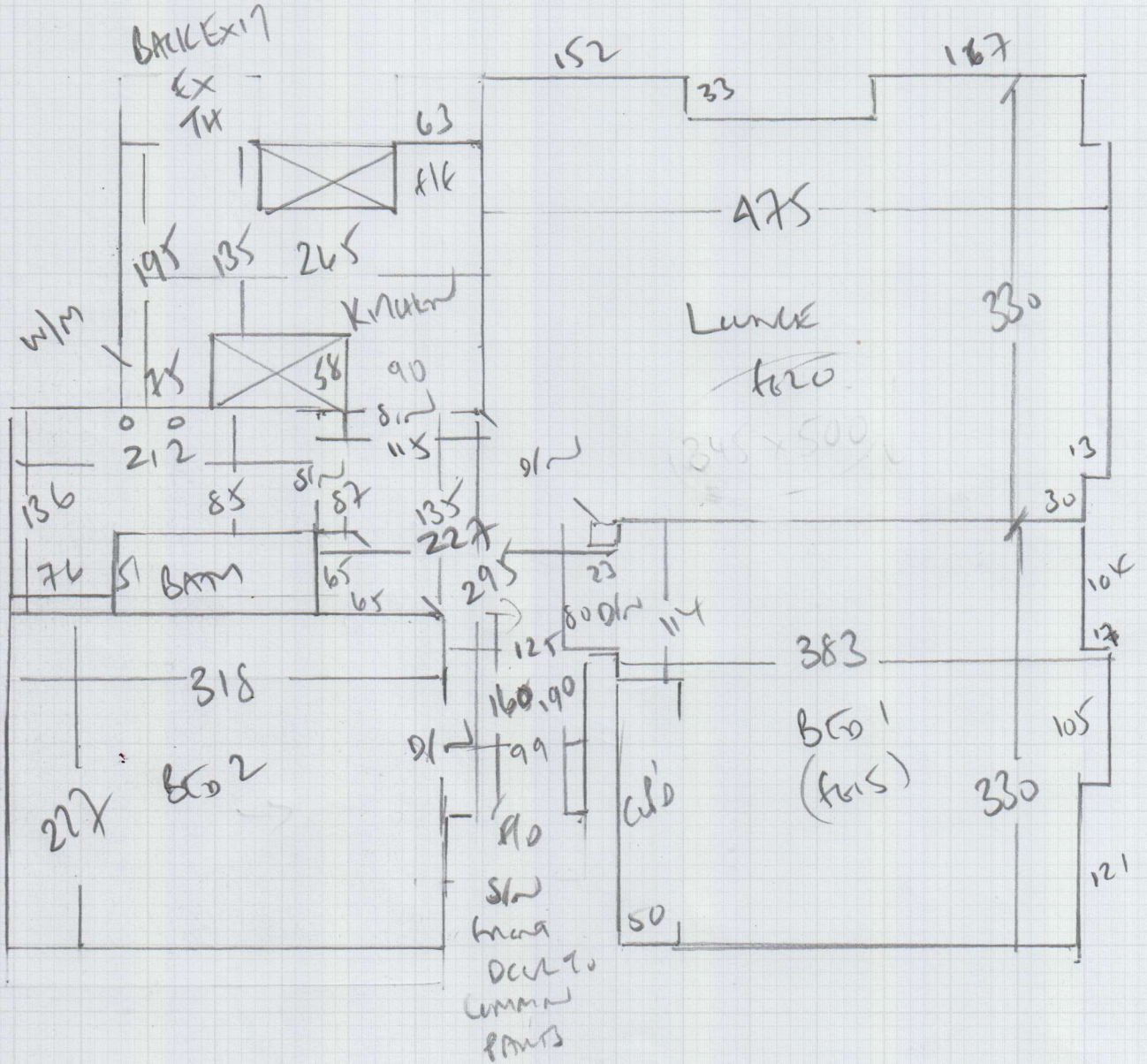


AM WORK

PLAN 470 x 400
 B501 345 x 400
 LAMINATE 400 x 400
1305 x 400

52.20 m²

Job No: R1
 Name: Spring
 Address: 24 TOTTAM LODGE
 55 RICHMOND ROAD
 Tel: SW20 0LF
 Sheet: of:



S29106

1st call of 1

Notes for Measure

Estimator: Colin

Mr Walter Spring, 24 Tottham Lodge

Date of Measure: Fri, 17 Mar 17

At: 9:00-9:30

Site Address:

24 Tottham Lodge
55 Richmond Road

LONDON

SW20 0PF

Customer Address:

24 Tottham Lodge
55 Richmond Road

LONDON

SW20 0PF

CONTACT: As customer details

Mobile	Home	Office
07980-894411		

Email: *walter.spring@aol.com*

Areas to be done and Description of Measure

whole flat for carpet and vinyl. will look at stock as he is carpeting up to sell property. interested in sf twist @ £12pm2

BRANNON - UPLIFT SELF ADHESIVE TILES on VINYL + H/SCAND

KITCHEN - UPLIFT CUSTOM VINYL on H/SCAND

Instructions and Estimators comments

will come back in after measure to look at stock availability options

*QUOTE CLEARANCE RANGES
AS CUSTOMER IS SELLING THIS
PROPERTY*

Must Read! **Not entered**

Office Ref: S29106

Mr Walter Spring, 24 Tottham Lodge

Date of Measure Fri, 17 Mar 17

At 9:00-9:30

Floor: Wood / Concrete / other _____

S/edge: Wood/Concrete/No pin/existing (if existing, allow ___ sticks to supplement where necessary)

Sticking Req'd: Yes/ No Type: Fastset/Other

Underlay: Re-use Existing / New required

Type: 42oz Felt / *offcut* Fomalux / PU Foam / Luxury PU Foam / LowTog / Durafit

Doorbars: Alloy / Satin Ali / Polished Ali / Anod / Solid Brass / Chrome / Nisheen Seam/Wood/T/Holds: colour _____

Door Clearance: OK / Low (advise on quote)

Uplift: No / Yes (if "Yes" - what type?) *Graphics on PU foam*

Furniture: No/ Yes (if YES, please specify the following) - 1 man / 2 men (Fitter to get paid) £ _____ total/per room

Parking Cost: Free / £ _____ per hour *SEE CUSTOMER FOR PERMIT TO PARK ON FORE COURT*

Parking Restrictions: (type) / £ *IN FORE COURT*

Congestion Zone: No / Yes

Access: Easy / Hard / 2 men req'd / 2nd floor?

Runners: Whipping / Binding (if binding, specify type)

Tape size: 1½" / 2" / 3" / 5"

Style: Top taping / Side binding

Stairrods: Type _____ Nr _____ Size _____

CUSTOMER IS SELLING FAST QUOTE CLEARANCE RANGES

Must Read: Not entered