

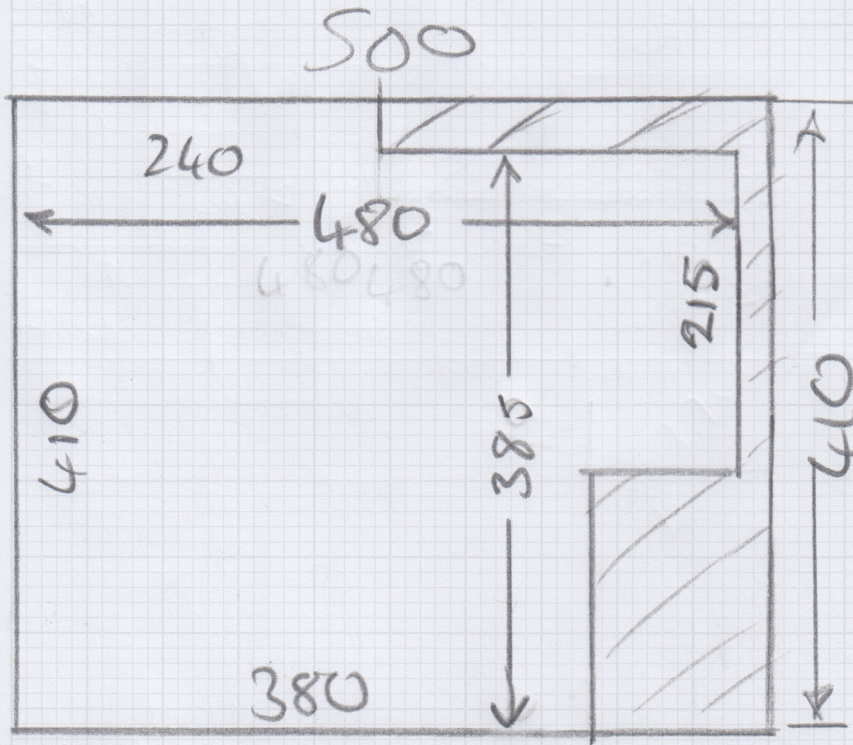
Job No: 536205

Name: RUSSELL

Address:

Tel:

Sheet: of:



.....

.....

410 x 500



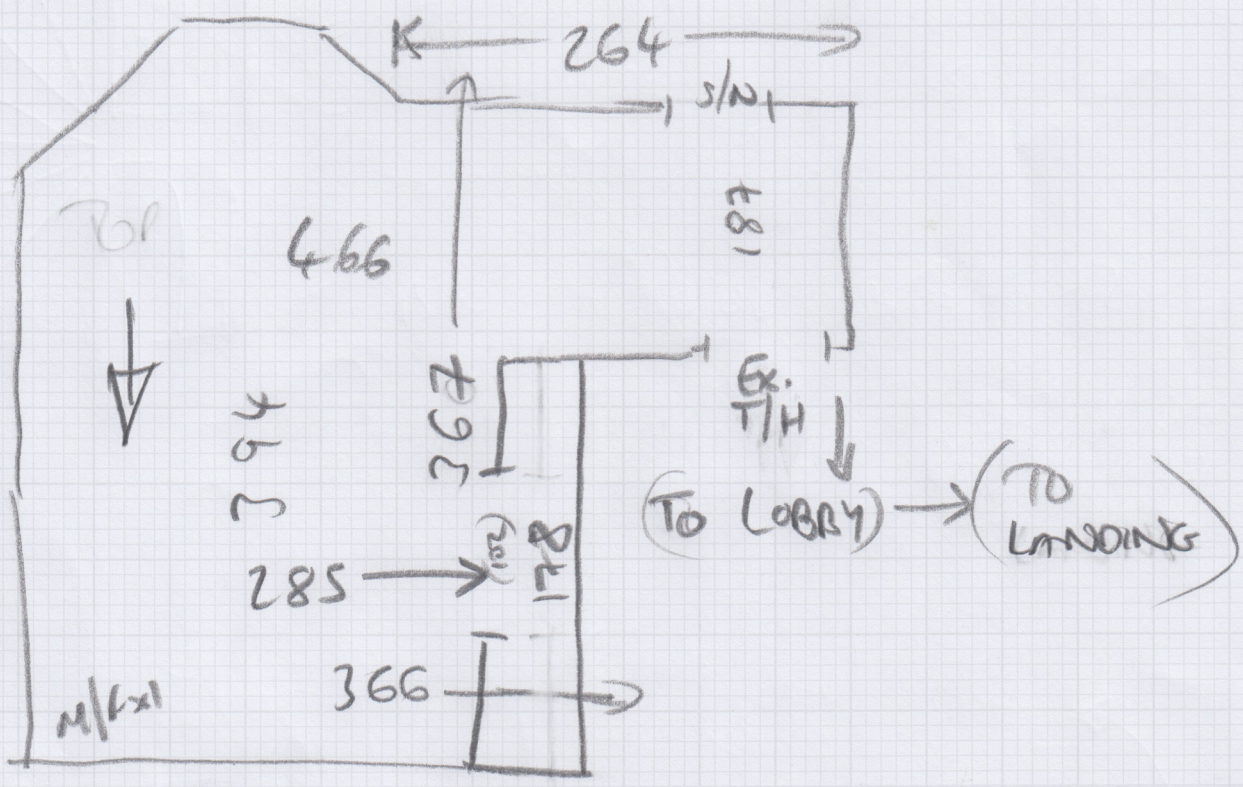
Job No: S36295

Name: Russen

Address:

Tel:

Sheet: of:



* Top from Bedroom
 On left hand side when
 heading up on to top landing.
 (Swag pile @ present!)

S36205

1st call of 2

Notes for Measure

Estimator: Jack

Mr Robert Russell, 36 Lancaster Road

Date of Measure: Tue, 5 May 26

At: 10-11am

Site Address:

36 Lancaster Road

Customer Address:

36 Lancaster Road

LONDON

SW19 5DD

LONDON

SW19 5DD

CONTACT:

As customer details

Mobile

Home

Office

07751-093306

Email:

robert.russell@btinternet.com

Areas to be done and Description of Measure

Top Floor Room (Left Hand Side, existing is shaggy carpet!) for Cleveland CLE-07 (as per Worple Street)

Instructions and Estimators comments

Robert's Father's property - carer on site to assist if necessary.

Must Read!

Not entered

Office Ref: S36205

536205

Notes for Measure

Estimator: Jack

Mr Robert Russell, 36 Lancaster Road

Date of Measure Tue, 5 May 26

At 10-11am

Floor: Wood / Concrete / other _____

S/edge: Wood/Concrete/No pin/existing (if existing, allow ___ sticks to supplement where necessary)

Sticking Req'd: Yes/ No Type: Fastset/Other

Underlay: Re-use Existing / New required

Type: 42oz Felt / Fomalux / PU Foam / Luxury PU Foam / LowTog / Durafit

Doorbars: Alloy / Satin Ali / Polished Ali / Anod / Solid Brass / Chrome / Nisheen
Seam/Wood/T/Holds: colour _____

Door Clearance: OK / Low (advise on quote) *Cup'd's*

Uplift: No / Yes (if "Yes" - what type?) *Smart 100 Nisheen*

Furniture: No/ Yes (if YES, please specify the following) - 1 man / 2 men (Fitter to get paid) £ *10* total/per room

Parking Cost: ~~Free~~ / £ *5* per hour

Parking Restrictions: (type) / *PN*

Congestion Zone: No / Yes

Access: Easy / Hard / 2 men req'd / *2nd* floor?

Runners: Whipping / Binding (if binding, specify type)

Tape size: 1½" / 2" / 3" / 5"

Style: Top taping / Side binding

Stairrods: Type _____ Nr _____ Size _____

Must Read: Not entered

Office Ref: **S36205**

Mr Carpet (London) Ltd