

mrcarpet
DESIGNS FOR FLOORS

301 Munster Road
Fulham
SW6 6BJ

Tel Nr: 020-7381-1989
Fax Nr: 020-7385-4006

ROLL BREAKDOWN

Job No: F23429
Customer Name: Bartlett
Carpet: Plain Loop
Colour: 639/19 (OAS 452)

Roll 20.00m x 5.00m

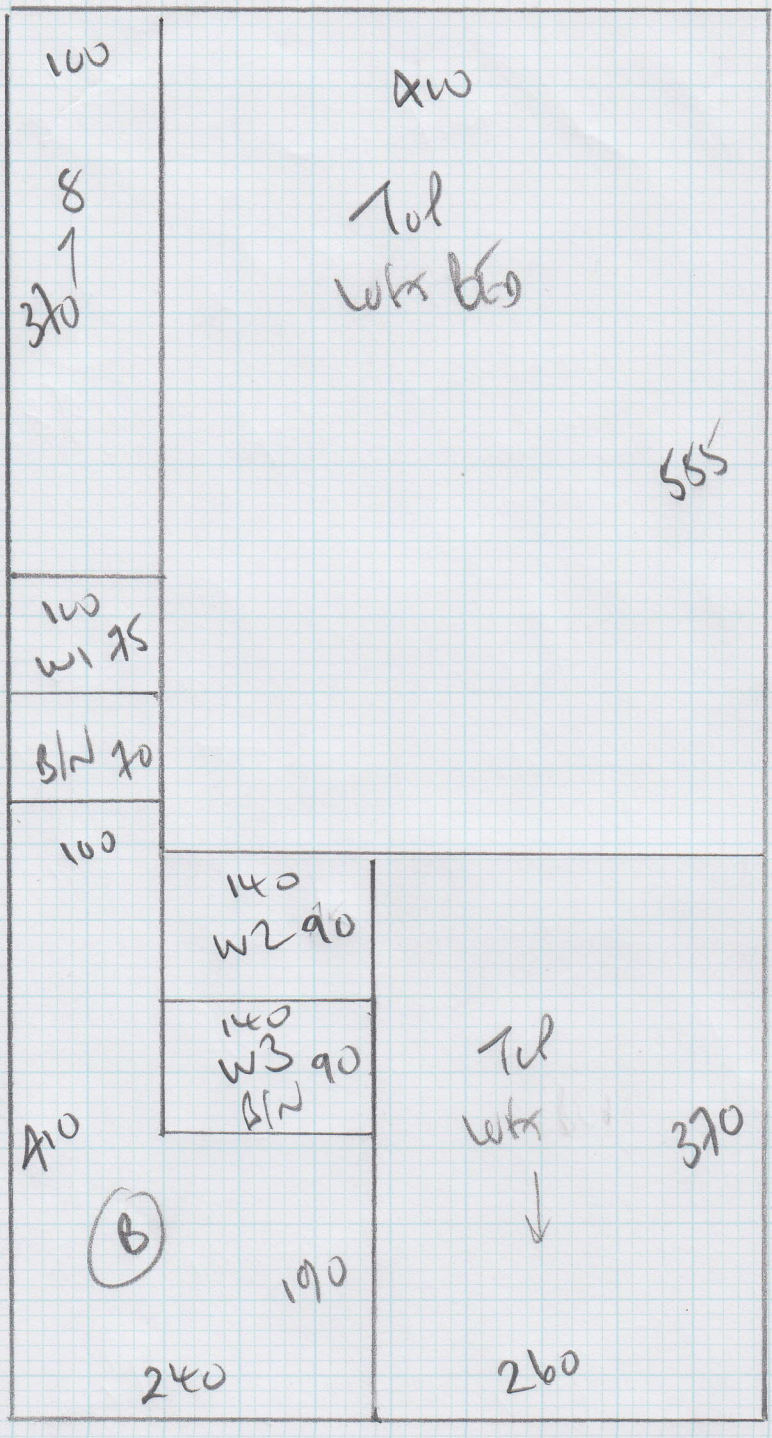
Plan 1 9.25m x 5.00m
Plan 2 6.20m x 5.00m
Front Bedroom 4.50m x 5.00m

=====
Total 19.95m x 5.00m
=====

Many Thanks

Colin

Job No: F23429
 Name: BARTUCCI
 Address: 28 BRASARUA SW6 6AA
 Tel: _____
 Sheet: 1 of 4

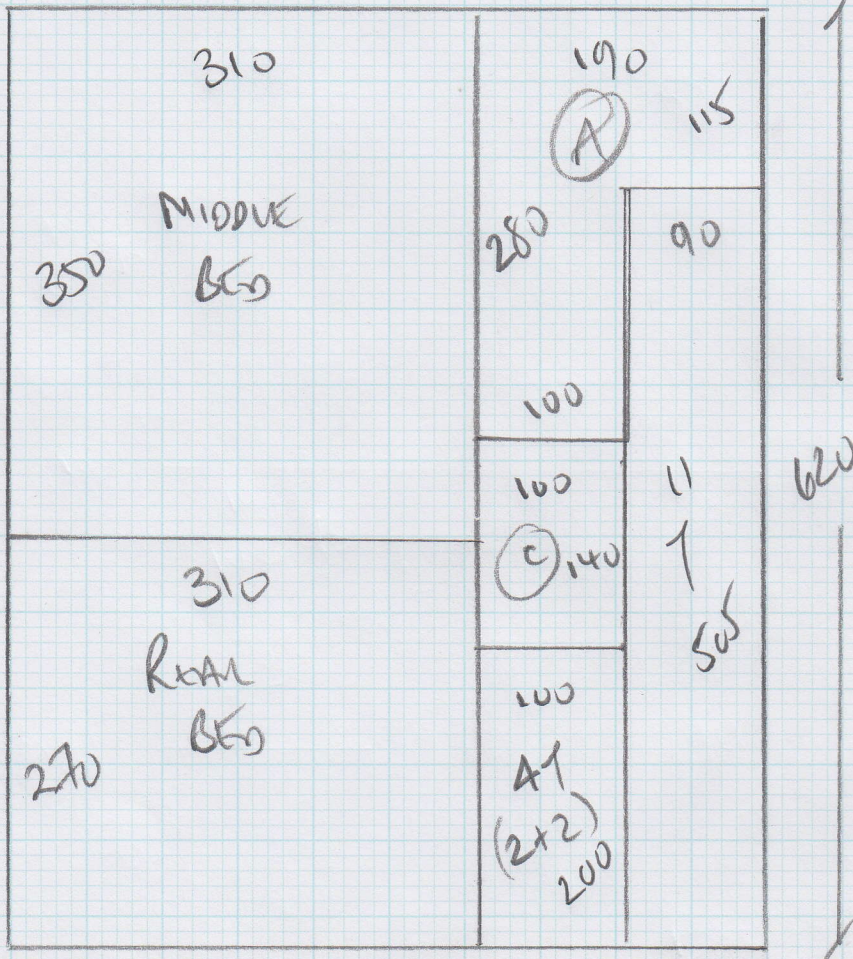


Plan Local
639/19

PLAN 1 925 x 500
 PLAN 2 620 x 500
 FRONT BED 450 x 500
 1995 x 500

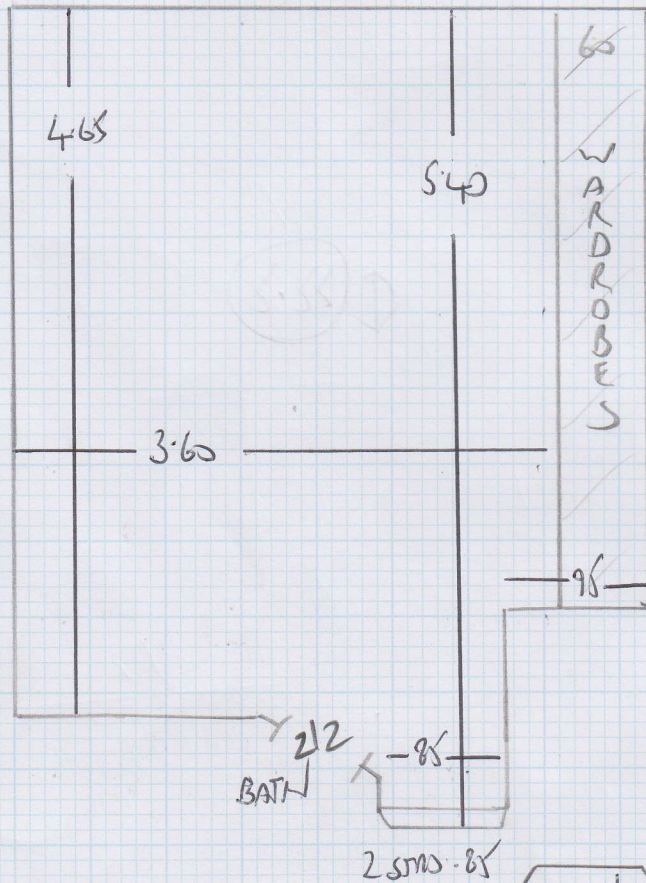
99.75 m²

Job No: F23429
 Name: BANUET
 Address: 28 BRANSAH RD
 SW6 6AA
 Tel:
 Sheet: 2 of 9

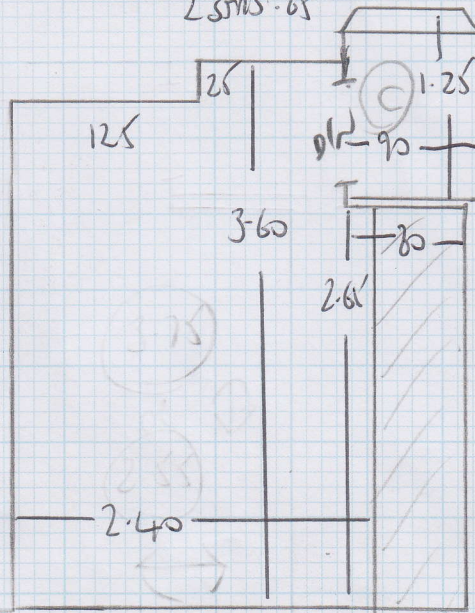


Job No: F23429
 Name: ~~THORNTON SMITH~~ BARTLET
 Address: 28 BRONSART RD
 SW6 6AA
 Tel: _____
 Sheet: 3 of 4

LOFT
(CONCRETE)

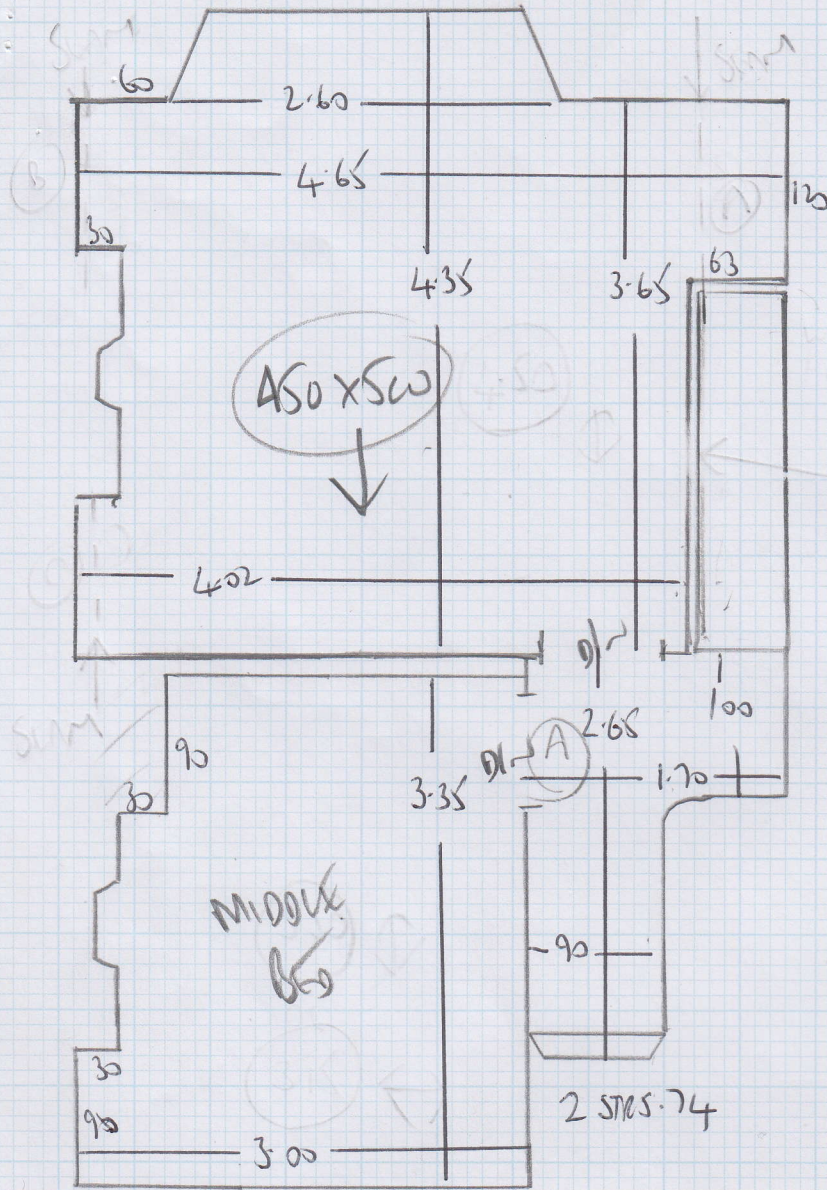


A
 WARDROBE
 TO BATH
 TO BATH
 TO BATH
 TO BATH



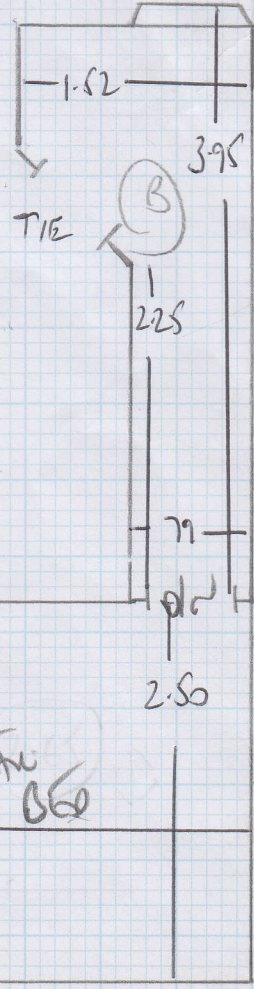
- 8 STEPS .75 x .47
 1 W 82 x 62
 2 W 102 x 68
 3 W ON 90 x 65
 TO FIF.

Job No: **f23429**
 Name: **BANKER**
 Address: **28 BRONSAY RD**
SW6 6AA
 Tel: _____
 Sheet: **A of A**



Slip this side
So that it is in recess

TO G/F.
 ON 94x84s
 11 STES .74
 USPC 74x15



1.50m No. Jmc Deck ✓
 3.35 ✓
 2.65 ✓
 2.75 ✓
 1.9 ✓
 18.0 ✓

