

Job No: F23540  
 Name: HUTCHINS  
 Address: 73 CHURCHILL ROAD, NW25NB  
 Tel:  
 Sheet: 1 OF 4

- (3-80) 6-90 PLAN
- 3-35 PLAN
- 3-80 PLAN
- 4-50 BEDROOM

HANOI SPECIAL ORDER  
 BB22

$18.55m \times 5.00 = 92.75m^2$

FIF STAIRS - RIVER  
 12 STAIRS  
 ON

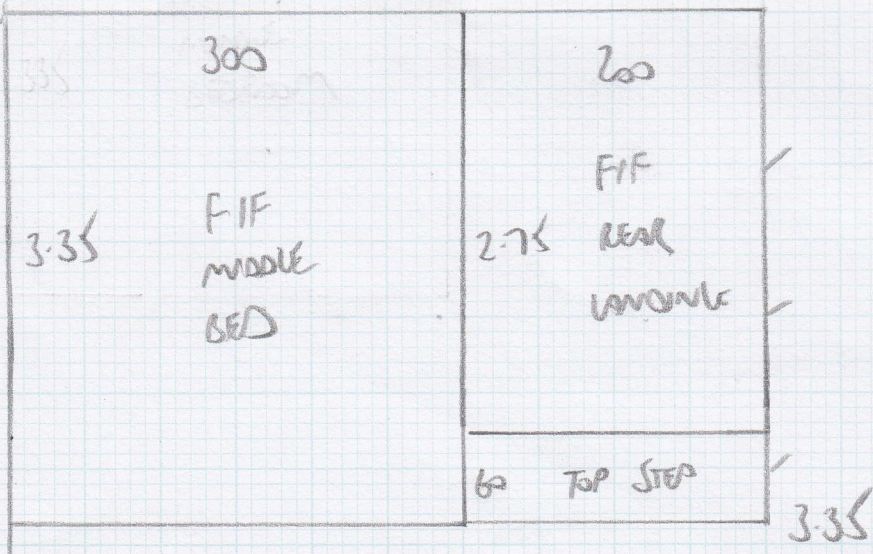
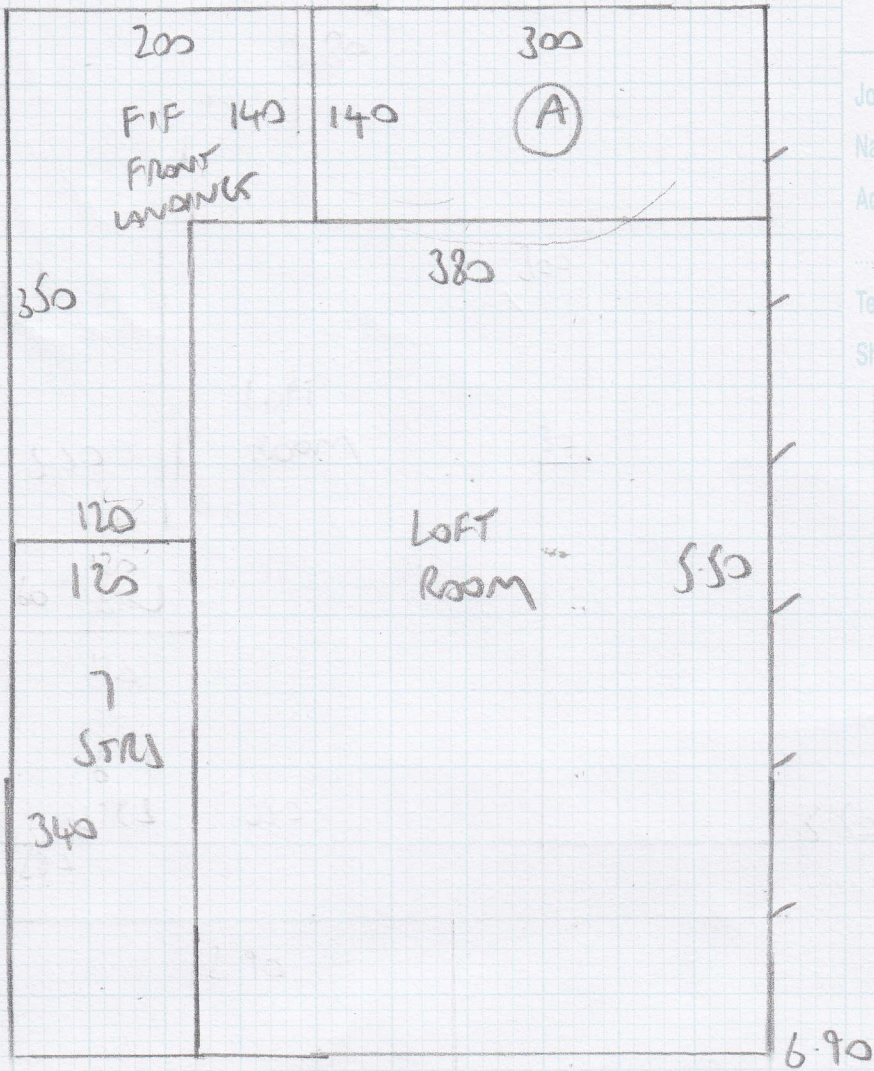
6.50m x .60m  
 MISSISSIPPI STRIDE

WS101 MULTI

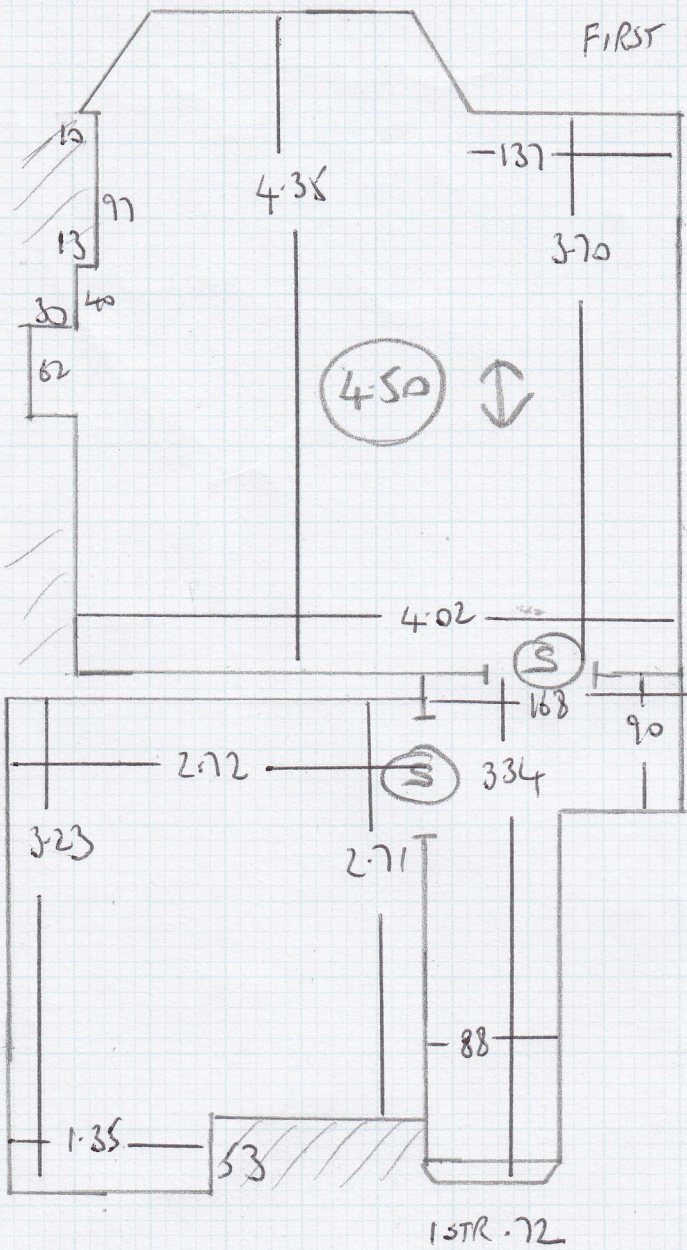
(TAPE TO CONFIRM



Job No: F23540  
Name: HUTCHINS  
Address: 73 CHURCHILL RD  
NW 25N6  
Tel:  
Sheet: 2 of 4



FIRST FLOOR



Job No: F23540

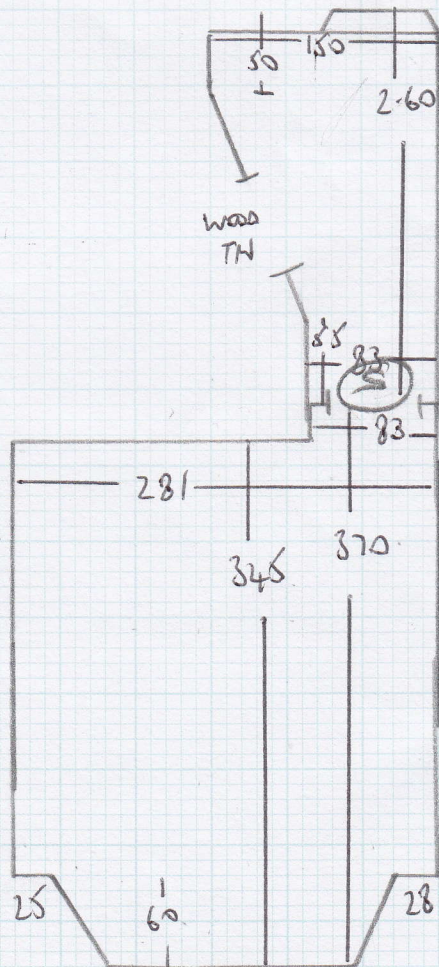
Name: HUTCHINS

Address: 73 CHURCHILL ROAD  
NW2 5NG

Tel:

Sheet: 3 of 4

G-1F  
BN -93X-50  
12 STRS. 78



Job No: F23540  
Name: HUTCHINS  
Address: 73 CHURCHILL ROAD  
NW2 5NG  
Tel:  
Sheet: 4 of 4

TOP FLOOR

