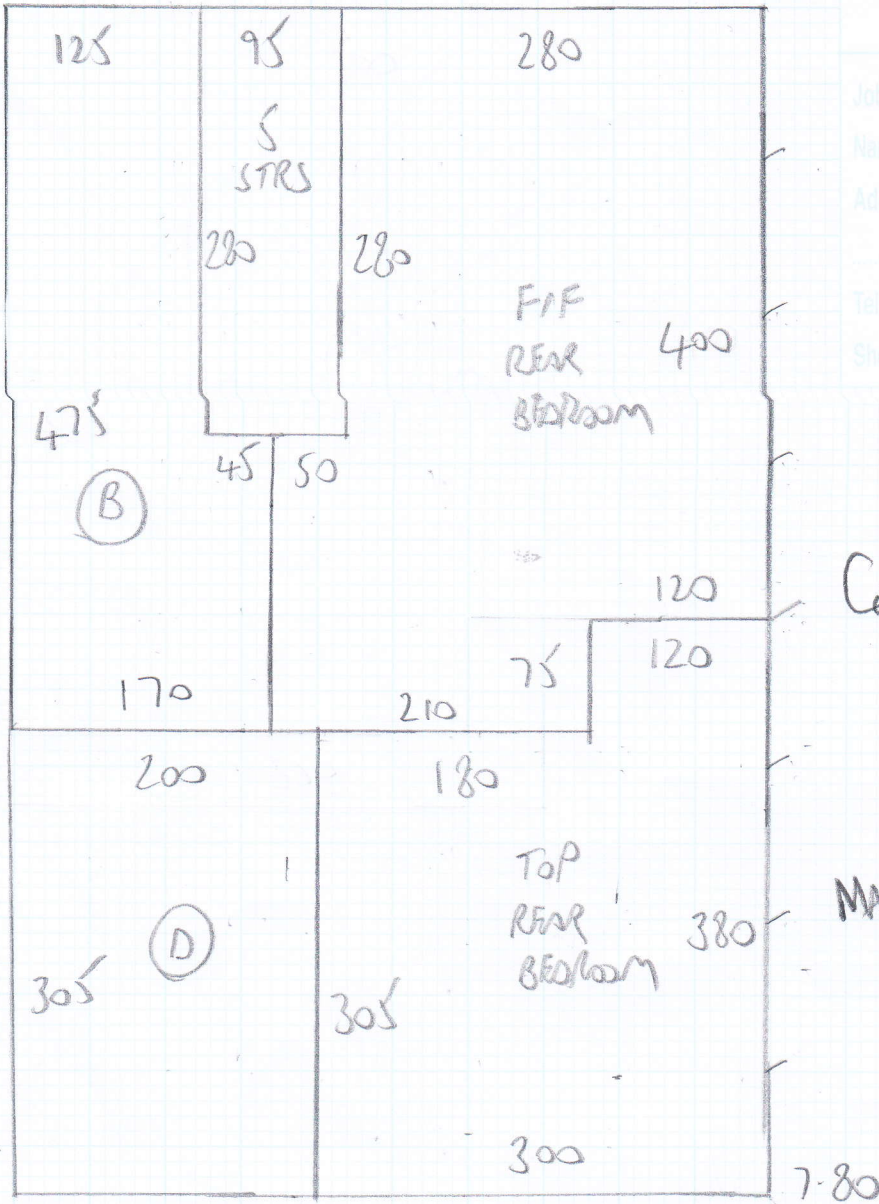


Job No: F23230
Name: THOMAS
Address:
Tel:
Sheet: 1 of A



COTSWOLD
COUNCIL NORTHWICH

Room 1 780 x 500
Room 2 1000 x 500
MARRIOTT 520 x 500
2300 x 500

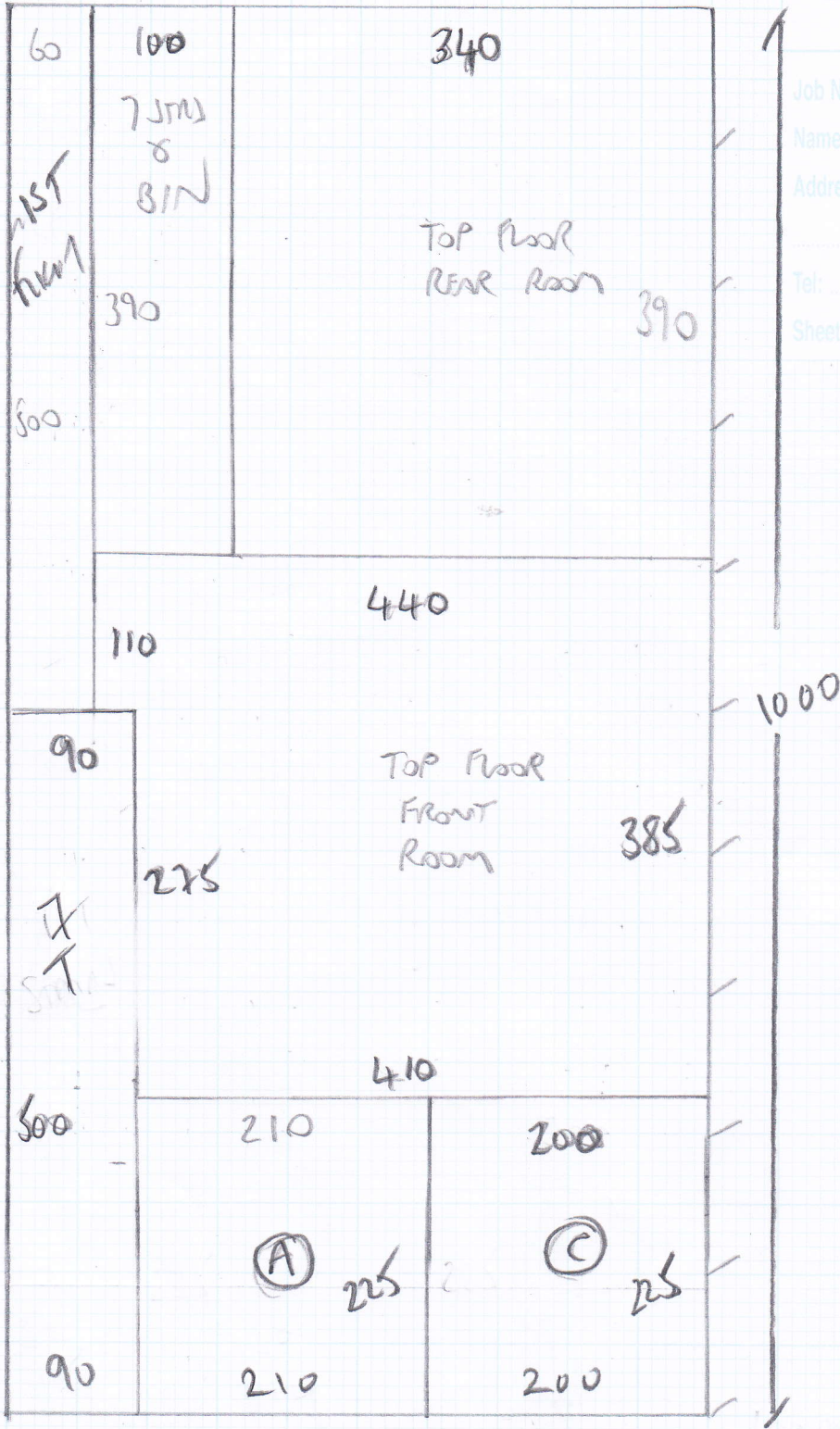
Job No: F23730

Name: THOMAS

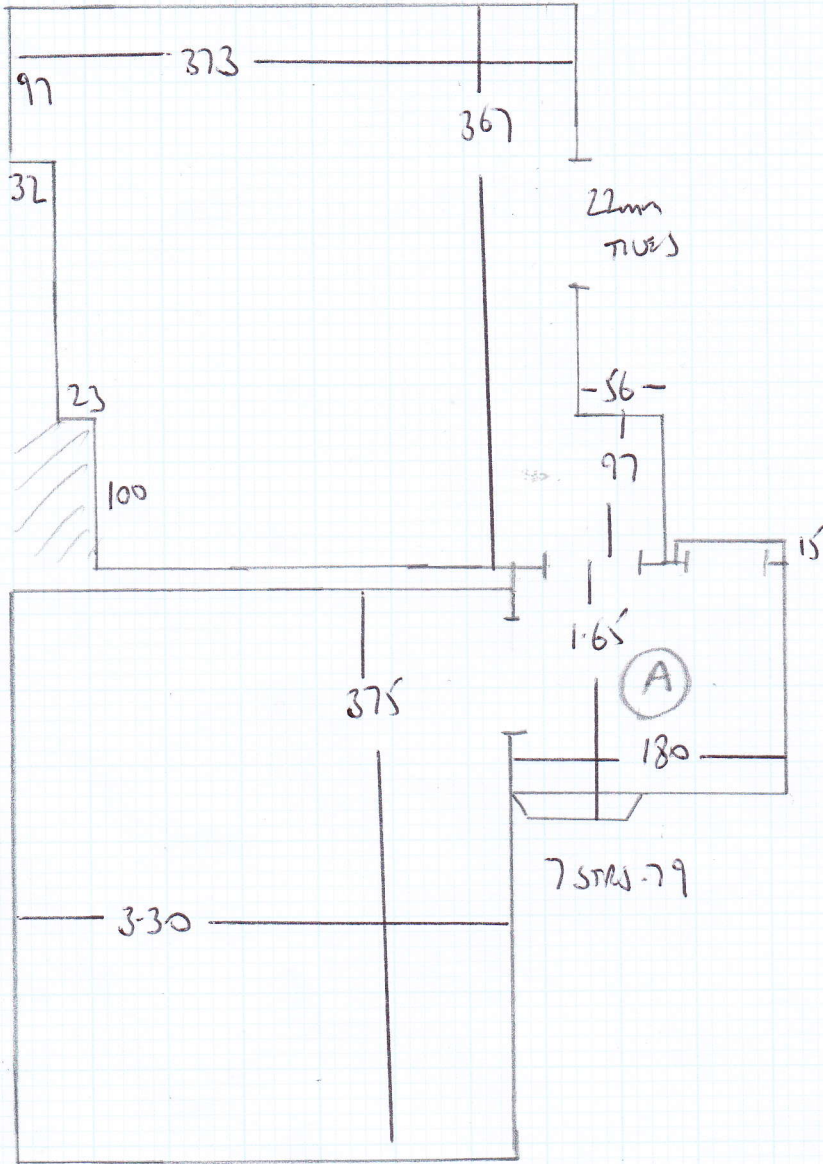
Address:

Tel:

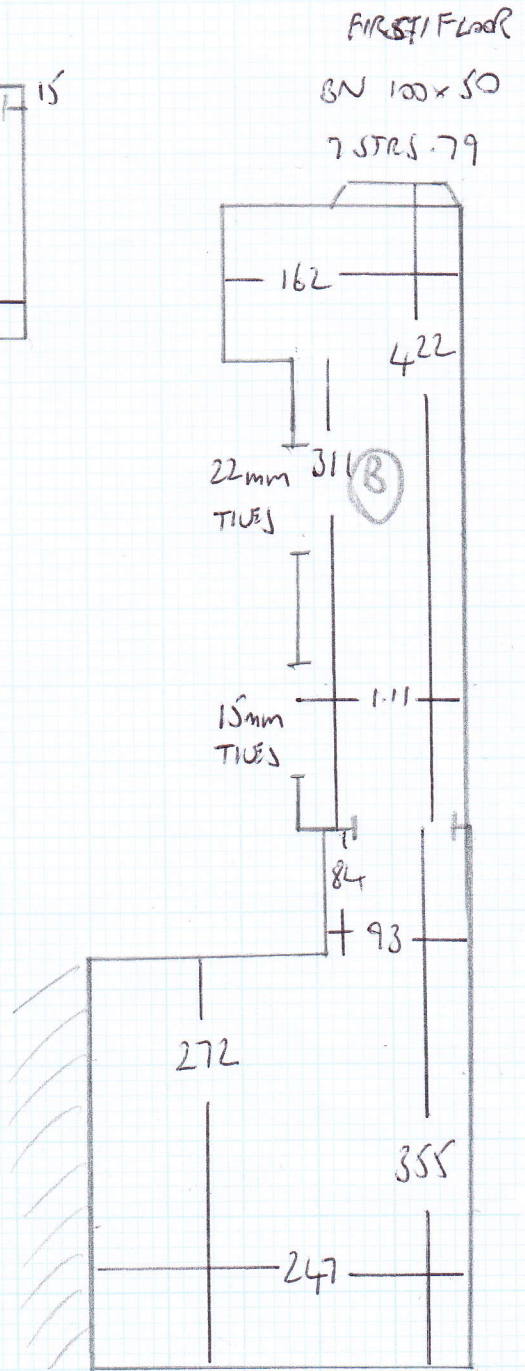
Sheet: 2 of 4



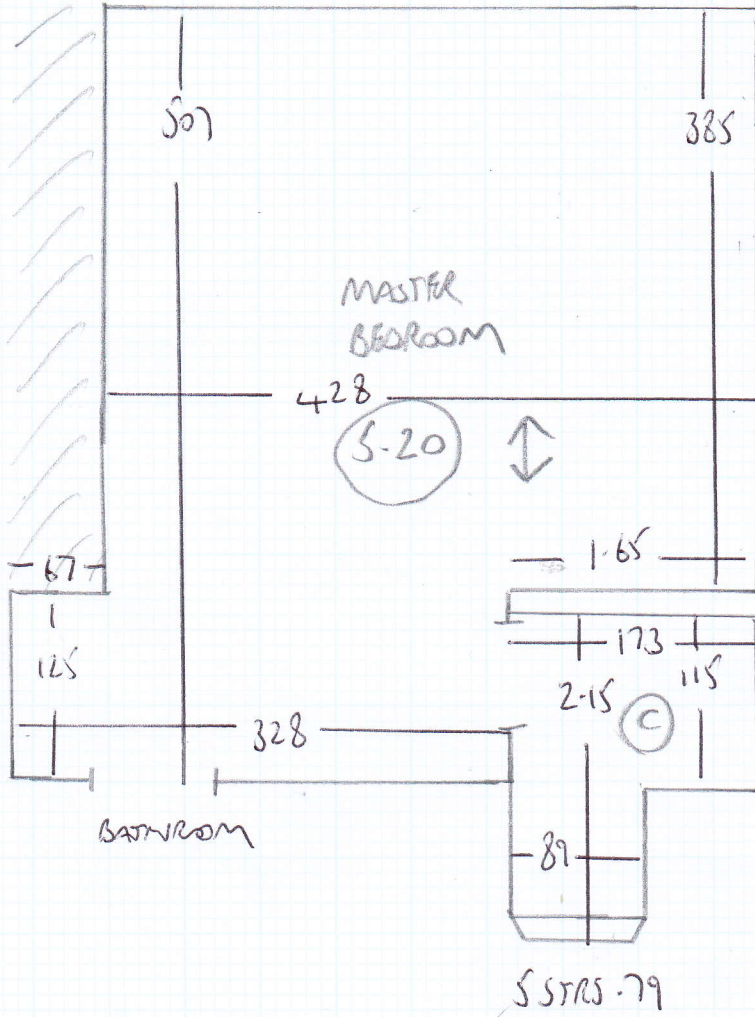
Top Floor



 mrcarpets
 Job No: F23730
 Name: THOMAS
 Address: 218 Broomwood Road
 SW11 6JY
 Tel:
 Sheet: 3 of 4



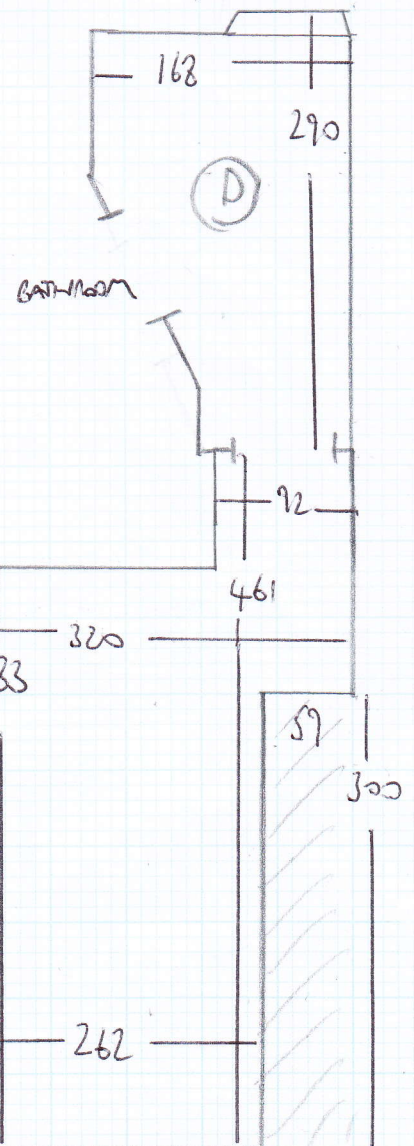
FIRST FLOOR



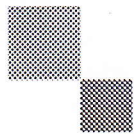
mrcarpets
 Job No: F23730
 Name: THOMAS
 Address: 218 Broomwood Road
 SW11 6SY
 Tel:
 Sheet: A of A

for stairs nos
 to this floor

60cm
 width
 runner } 10 STAIRS - 79
 RUSK 71x15



STAIR Runner
WHIP SIDES ONLY



mrcarpet
DESIGNS FOR FLOORS

301 Munster Road
Fulham
SW6 6BJ
T 020-7381-1989
F 020-7385-4006

WHIPPING / BINDING FORM

To be collected by B H Carpets – Tel 020-8665-9110 Fax 020-8665-6611

Customer Name: TITOMAS

Job No. : F23730

Description of carpet : COTSWOLD NORMWICH

Whipping / Side Binding / Top Taping (1/2 & 1/2)

Colour of Binding tape: — Colour of Whipping: TO MATCH

Size of Binding tape: — Number of pieces: 1

Sizes To be cut to: 500M x 60CM

Whipping: 10 metres @ £2.00 per metre = £ 20.00

Blind Binding: — metres @ £7.00 per metre = £ —

Taping Only
3" or 5" Tape — Units @ £6.00 per metre = £ —

Any Queries call

Colin John Paul

Deliver Back to: Unit 19, Riverside Road, SW17

Mr Carpet Use. (Copy to be faxed to accounts when returned)

Date Collected: _____ Collected

By: _____

Date Returned: _____ Returned

By: _____