

4 section



Transition Strips

Information to ensure the correct selection of transition strips along with details of colour availability. Details of all Gradus Clip-Top and carpet trim profiles can be found in this section.

	Page
Transition Strips	
Guide to Transition Strips	96 - 97
Colour Availability	98
Colour Availability Chart	99
<hr/>	
Clip-Top	100 - 105
<hr/>	
Clip-Top fx	106 - 107
<hr/>	
MTS Multi-Trim System	108 - 111
<hr/>	
PPS & Euro-Clip systems	112 - 115
<hr/>	
Trans-Edge carpet trims	116 - 117
<hr/>	
Cable Ducts cable management systems	118 - 119
<hr/>	
Matwell Frames	120 - 121
<hr/>	
Specialist Floor Trim Solutions	122
Nap Trims	123
Cover Strips	124
Extruded Angle	124
Dual Trim	124
Carpet Tile Edge	125
Carpet Trims	126
Feature Strips	127 - 128
Feather Edge	128
Ramp Edge	128
Construction Joint Covers	129
Bevelled Underlay	129

Guide to Transition Strips

Safety

Transition strips reduce the risk of accidents for pedestrian traffic by providing a safe link between floorcoverings. A transition strip can also provide a safe joint where wheeled traffic is expected and ensures that trolleys can move freely between different types and heights of floorcovering reducing the risk of trolleys tipping over.

Change in Heights Changes in the height and type of floorcovering can be bridged using transition strips with integrated slip resistant properties that help prevent tripping hazards and trolley accidents.

Worn Edges

Investment in transition strips protects floorcovering joints from accelerated wear which can result in trip hazards at doorways etc.

Performance

The building, volume and type of traffic, will determine the correct transition strip from which to make a selection.

Clip-Top a two-part (three in Bronze) transition system ideal for use in heavy pedestrian and medium trolley traffic applications.

Clip-Top fx a two-part transition system ideal for use in medium pedestrian and light trolley traffic applications that can be formed to shape on-site.

MTS Multi-Trim System a two-part transition system ideal for use in light pedestrian traffic applications.

PPS & Euro-Clip a two-part transition system ideal for use in light pedestrian traffic applications.

Trans-Edge an aluminium transition strip ideal for use in severe pedestrian and heavy trolley traffic applications.

Cable Ducts transition strips incorporating a recess to accommodate cables. Suitable for use in light pedestrian and light trolley traffic applications. Surface mounted cable ducts suitable for foot traffic only.

Specialist Floor Trims various trimming strips for use in many different applications.

Traffic

Severe - railway stations, airports, transport interchanges.

Heavy - department stores, some retail high street shops, hospitals.

Medium - retail high street shops, schools, hotels, some offices.

Light - offices

Environment

Suitable for internal use

Aesthetics

Transition strips are available in a wide choice of shapes and colours to suit many different applications. Transition strips can be selected to either blend with the surrounding floorcoverings or act as a highlight to help determine walkways and other circulation areas.

Clip-Top available in a choice of rigid PVC-u, Metallic PVC-u and Bronze finishes.

Clip-Top fx available in rigid PVC-u.

MTS Multi-Trim System aluminium top available in choice of 2 gold and 6 wood-effect finishes.

PPS & Euro-Clip aluminium top available in choice of 1 gold and 6 wood-effect finishes.

Trans-Edge aluminium transition strip with a choice of 20 pvc Interior insert colours (Elite).

Cable Ducts available in a choice of PVC-u and pvc finishes.

Specialist Floor Trims various trimming strips available in aluminium, pvc, PVC-u and polished bronze for use in many different applications.

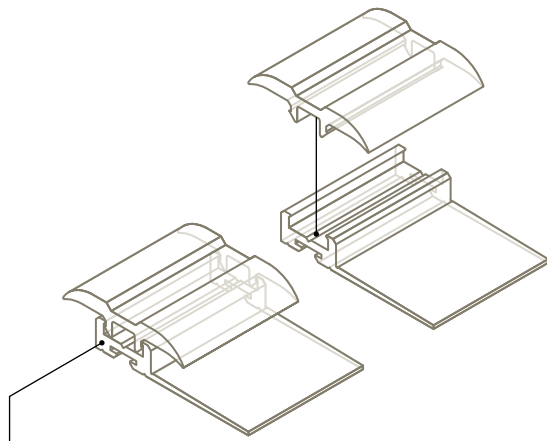
Type of Floorcovering

Carpet Ceramic

Marble Wood

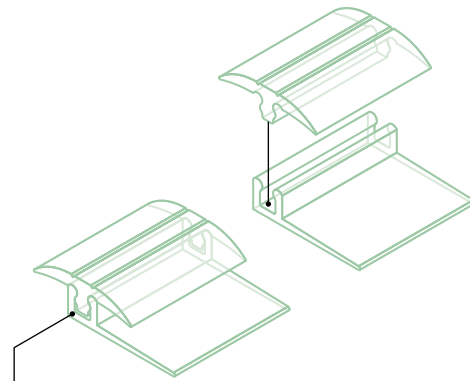
Vinyl Resin

Terrazzo Linoleum



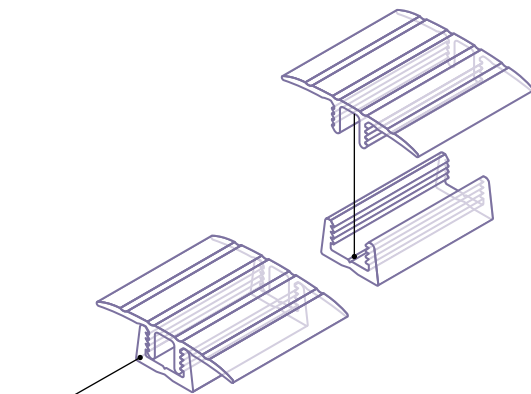
Clip-Top

Product Availability	Page
Bronze	101 - 102
Metallic PVC-u	102
PVC-u	103 - 105



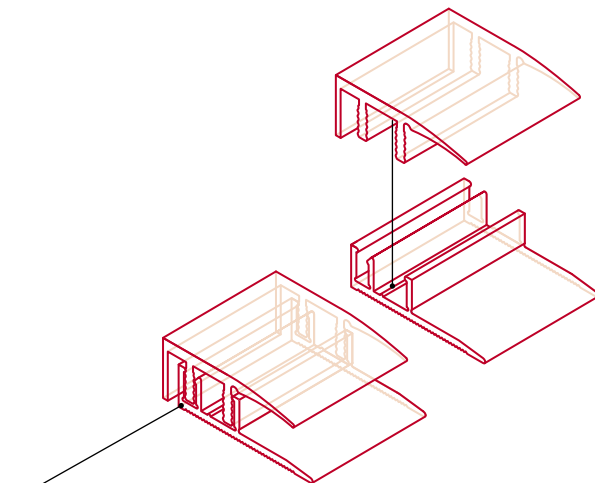
Clip-Top fx

Product Availability	Page
PVC-u	106 - 107



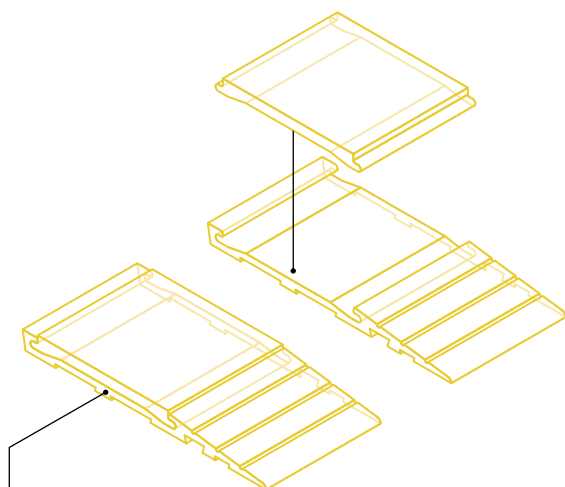
MTS Multi-Trim System

Product Availability	Page
Aluminium with gold or wood effect-finishes	108 - 111



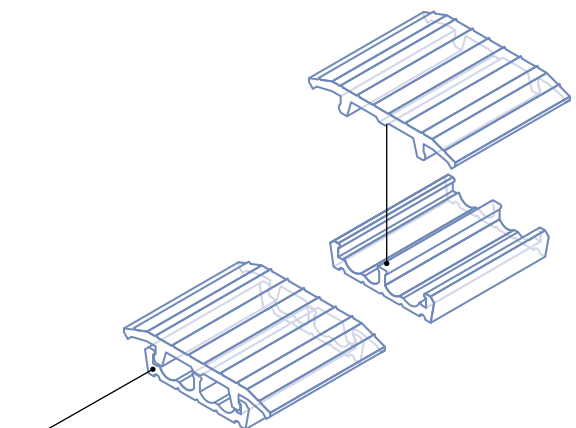
PPS & Euro-Clip

Product Availability	Page
PPS - Aluminium with gold finish	112 - 115
Euro-Clip - Aluminium with wood effect-finishes	112 - 115



Trans-Edge

Product Availability	Page
Aluminium with pvc insert	116 - 117




Cable Ducts

Product Availability	Page
PVC-u and pvc	118 - 119


Colour Availability

Standard


Black 7502 - B	Brown 6010 - Y70R
	
Granite 6502 - R	Dove 5000 - N
	
Bluebell 5030 - R90B	Evergreen 7020 - B70G
	

Metals

Aluminium



Bronze



Metallics

Zinc 6005 - R80B



Burnt Almond 7010 - Y50R



Doubloun 4020 - Y



Platinum 2005 - Y40R




Silver 2005 - R80B




Textura


Bluestone 4020 - R90B




Helvellyn 4502 - B




Tundra 5005 - Y20R




Drystone 3010 - Y30R




Mars 4030 - Y80R



Atlantis 3030 - B30G



Aspen 3020 - B90G



MTS Multi-Trim System

Metal Finishes

Polished Gold



Etched Gold



Wood-Effect Finishes

Mahogany



Cherry



Dark Oak



Light Oak



Beech



Maple



PPS & Euro-Clip

PPS Finish

Gold (matt)



Euro-Clip Finishes

H30 - Light Oak



H70 - Alder



H20 - Dark Beech



H22 - Light Beech



H10 - Pine



H40 - Maple



NCS Colour References

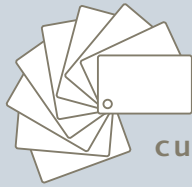


Gradus is a member of NCS (Natural Colour System) and utilises the NCS reference codes shown above each colour. NCS is a user friendly colour language and is the only colour system that describes colour exactly as we see it. NCS is used by professionals as a tool for precise colour communication, selection and specification. For further information visit the NCS website - www.ncscolour.co.uk

©Property of and used under licence from the Scandinavian Colour Institute AB, SCI-Sweden se, Stockholm 2004. *See www.ncscolour.co.uk for NCS-standard samples.

Printed Colours

Please note: Due to the limitations of the printing process, colours within this catalogue should not be relied upon for colour matching. An accurate colour match can only be achieved by requesting the relevant product sample(s) from Gradus Customer Support on 01625 428922.



for samples
contact
customer support on **01625 428922**

Colour Availability Chart

The table below can be used to show colour availability of various profiles from stock. Non-standard colours are also available and special colours can be matched upon request subject to minimum quantity and lead time. For further information contact Customer Support.

Key: ▲ Available from Stock

		Clip-Top PVC-u	Clip-Top J/x + GT61R	Clip-Top Metallic PVC-u + GT61M	MTS multi-trim System	PPS system	Euro-Clip system	Cable Ducts + DT30 + PCR + PET + T + EJC	TH	GT61T	BU + AP8	Matwell Frames + ANT + CG + ACS + ACT + TA	Clip-Top Bronze + BCT + Matwell Frame + BCS	FCA16
Metals	Aluminium											▲		
	Bronze												▲	
Standard	Brown	▲					▲							▲
	Dove	▲					▲							▲
	Granite	▲					▲							▲
	Black	▲					▲				▲			▲
	Bluebell	▲												▲
	Evergreen	▲												▲
	Metallics	Burnt Almond		▲										
Doubloon			▲					▲						
Silver			▲					▲						
Platinum			▲					▲						
Zinc			▲					▲						
Textura	Tundra								▲					
	Bluestone								▲					
	Drystone								▲					
	Aspen								▲					
	Atlantis								▲					
	Mars								▲					
	Helvellyn								▲					
MTS multi-trim system	Polished Gold			▲										
	Etched Gold			▲										
	Beech			▲										
	Light Oak			▲										
	Dark Oak			▲										
	Maple			▲										
	Cherry			▲										
	Mahogany			▲										
PPS & Euro-Clip	Gold (matt)				▲									
	H30 - Light Oak					▲								
	H70 - Alder					▲								
	H20 - Dark Beech					▲								
	H22 - Light Beech					▲								
	H10 - Pine					▲								
	H40 - Maple					▲								

also available in the full range of interior insert colours see pages 127 & 15 for colour listings and references.

Clip-Top™ *the ultimate in transition strips*



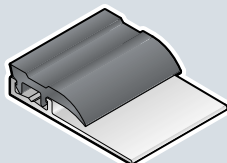
Description

Clip-Top is a two-piece (three in Bronze) product allowing design flexibility in all commercial situations. Tops are either PVC-u with co-extruded pvc ribs or bronze. The tops can be replaced so that the colour can be altered as part of a refurbishment programme, or if a worn or damaged section needs to be changed, without renewing the base or disrupting the fitted floorcovering. A number of PVC-u/metallic PVC-u tops and aluminium bases can be fabricated to a radius shape, subject to approval of template or detailed drawing (showing radius details) by our Technical Department.

Which Clip-Top?

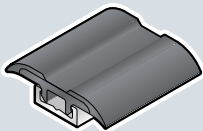
Single Top

Used to join carpet to ceramic, terrazzo, wood and other hard floorcoverings



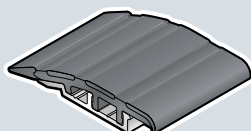
Twin Top

Used to join floorcoverings of the same height



Ramp Top

Used to join floorcoverings of different heights



Profile Availability

Gauge of profiles to suit most floorcoverings.

- When using Clip-Top with carpet, the compressed thickness of the carpet should always be a tight fit to the internal gauge of the combined top/base profile
- In some instances latex screed or bevelled underlay can be used to build up the gauge of the floorcovering (see page 129)
- Clip-Top bases should always be fitted on top of the resilient floorcoverings when used in a ramp configuration
- Details of minimum and maximum curving radii can be found on page 105

Finishes / Environment

Suitable for interior use.

- Choice of materials and colours to suit different interior design schemes

Installation

Installation guidelines can be found on page 133.

- Examples of typical installations using Clip-Top are shown on the following pages

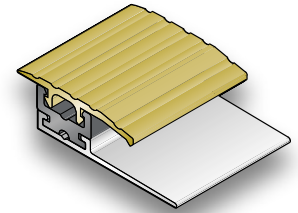
Services

- **Technical Services**
- **Profiles can be fabricated**
- **Samples**
- **Special profile design**

BRONZE RANGE

For guidance on the correct selection of transition strips see pages 96 to 99.

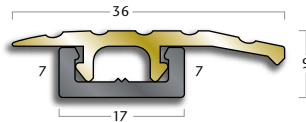
Tops	Polished manganese bronze
Bases	A choice of PVC-u, PVC-u / aluminium combination
Application	Prestigious locations
Profiles	Dimensions shown are nominal. Illustrations are full size in mm. Products subject to minor design alterations without notice.



BFT36/FTB20/AFTB43

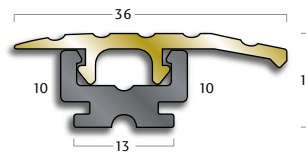
SINGLE TOP

BFT36/FTB16



Provides transition between:
Hard flooring, carpet and carpet tile.

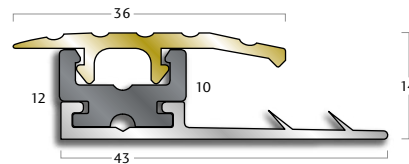
BFT36/FTB20



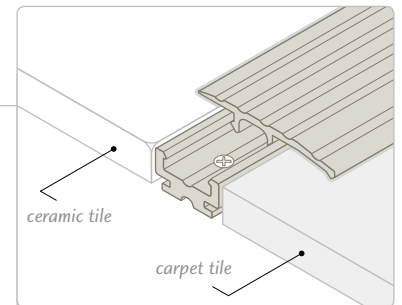
Provides transition between:
Hard flooring, carpet and carpet tile.

BFT36/FTB20/AFTB43

available with or without carpet gripper



Provides transition between:
Hard flooring and traditional carpet with underlay.



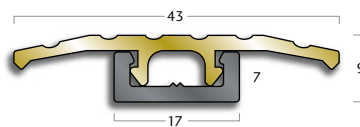
ceramic tile

carpet tile

Typical example: BFT36/FTB20 ceramic tile to carpet tile.

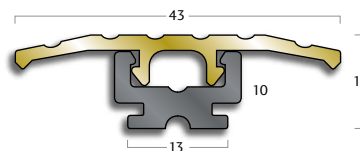
TWIN TOP

BFT43/FTB16



Provides transition between:
Carpet and carpet tile.

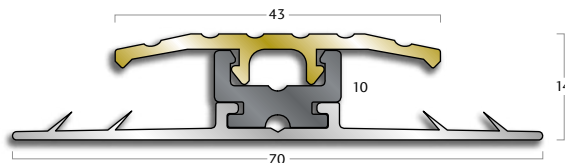
BFT43/FTB20



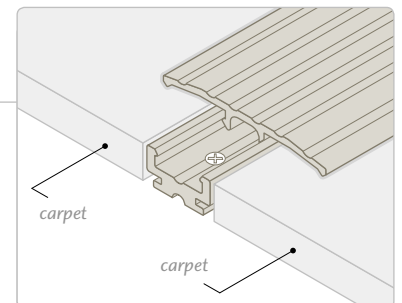
Provides transition between:
Carpet and carpet tile.

BFT43/FTB20/DFTB70

available with or without carpet gripper



Provides transition between:
Carpet, carpet tile and traditional carpet with underlay.



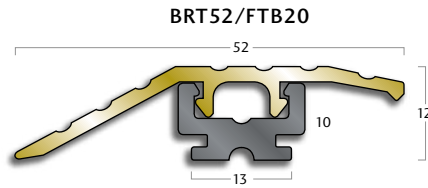
carpet

carpet

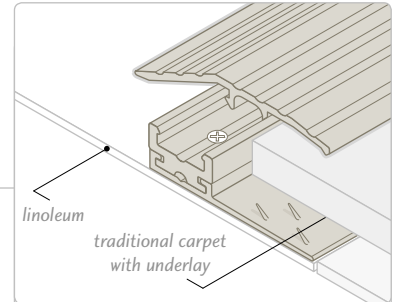
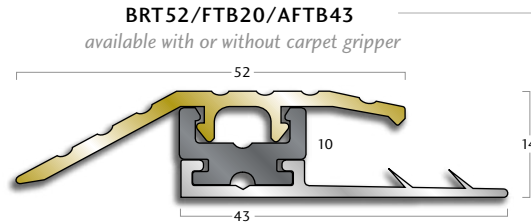
Typical example: BFT43/FTB20 carpet to carpet.

RAMPED TOP

Provides transition between:
Resilient floorcoverings, carpet
and carpet tile.



Provides transition between:
Resilient floorcoverings and
traditional carpet with underlay.

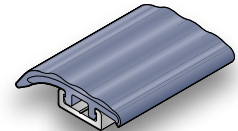


Typical example: BRT52/FTB20/AFTB43
linoleum to traditional carpet with underlay.
Note: AFTB43 fitted on top of the linoleum.

METALLIC PVC-u RANGE

For guidance on the correct selection of transition strips see pages 96 to 99.

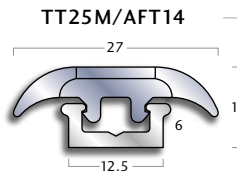
Tops	Metallic PVC-u
Bases	Aluminium
Application	Retail high street shops, schools, hotels, some offices
Profiles	Dimensions shown are nominal. Illustrations are full size in mm. Products subject to minor design alterations without notice.



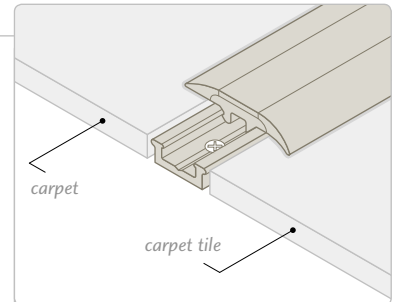
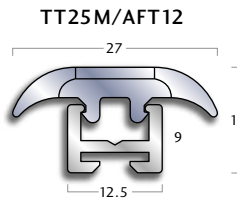
RT35M/AFT13

TWIN TOP

Provides transition between:
Hard flooring, carpet and carpet tile.



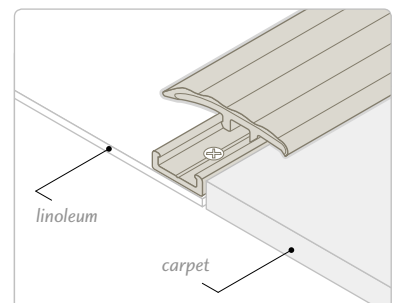
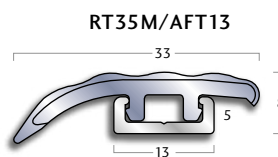
Provides transition between:
Hard flooring, carpet and carpet tile.



Typical example: TT25M/AFT14
carpet to carpet tile.

RAMPED TOP

Provides transition between:
Resilient floorcoverings, carpet and carpet tile.



Typical example: RT35M/AFT13
linoleum to carpet. Note: AFT13
fitted on top of the linoleum.

COLOUR AVAILABILITY

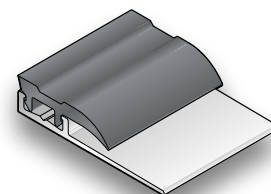
Metallic PVC-u: Burnt Almond, Doubloon, Platinum, Silver, Zinc.

For a quick colour reference guide use the back cover foldout.
For full details on Colour Availability see pages 98 to 99.

PVC-u RANGE

For guidance on the correct selection of transition strips see pages 96 to 99.

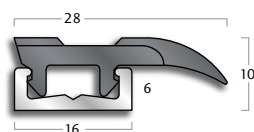
Tops	PVC-u
Bases	Aluminium
Application	Department stores, some retail high street shops, hospitals
Profiles	Dimensions shown are nominal. Illustrations are full size in mm. Products subject to minor design alterations without notice.



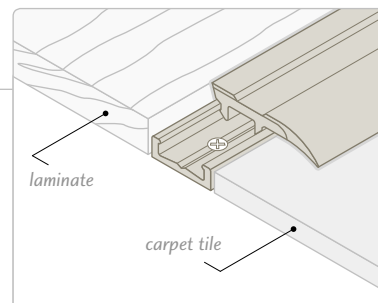
FT19/AFT45

SINGLE TOP

FT19/AFT15



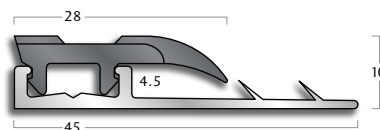
Provides transition between:
Hard flooring, carpet and carpet tile.



Typical example: FT19/AFT15 laminate to carpet tile.

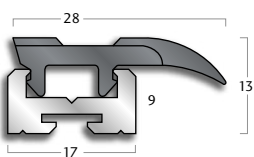
FT19/AFT45

available with or without carpet gripper



Provides transition between:
Hard flooring, carpet, carpet tile and traditional carpet with underlay.

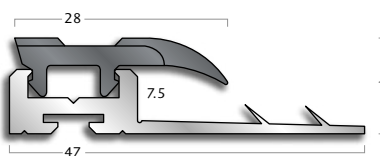
FT19/AFT17



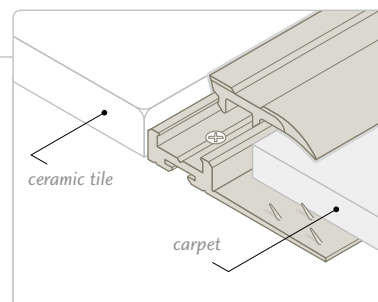
Provides transition between:
Hard flooring, carpet and carpet tile.

FT19/AFT

available with or without carpet gripper



Provides transition between:
Hard flooring, carpet, carpet tile and traditional carpet with underlay.



Typical example: FT19/AFT ceramic tile to carpet.

COLOUR AVAILABILITY

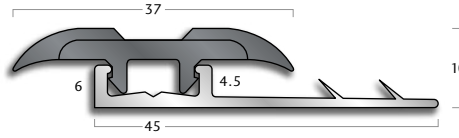
PVC-u: Black, Bluebell, Brown, Dove, Evergreen, Granite.

For a quick colour reference guide use the back cover foldout.
For full details on Colour Availability see pages 98 to 99.

TWIN TOP

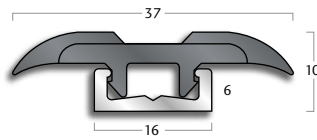
Provides transition between:
Hard flooring, carpet, carpet tile and
traditional carpet with underlay.
AFT45 base not available curved.

TT37/AFT45
available with or without carpet gripper



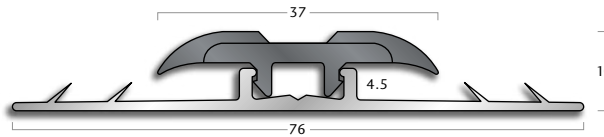
Provides transition between:
Hard flooring, carpet and carpet tile.

TT37/AFT15



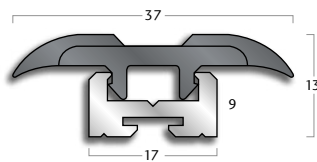
Provides transition between:
Hard flooring, carpet, carpet tile and
traditional carpet with underlay.
DFT80 base not available curved.

TT37/DFT80
available with or without carpet gripper



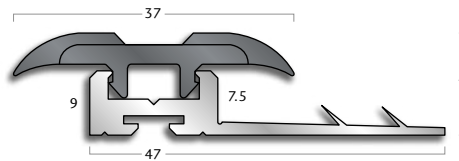
Provides transition between:
Hard flooring, carpet and carpet tile.

TT37/AFT17



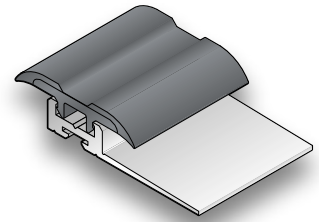
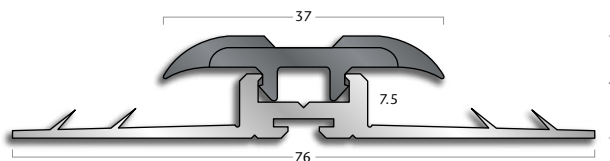
Provides transition between:
Hard flooring, carpet, carpet tile and
traditional carpet with underlay.
AFT base not available curved.

TT37/AFT
available with or without carpet gripper

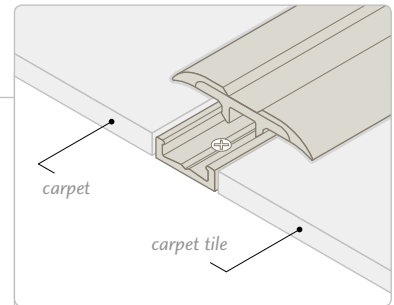


Provides transition between:
Hard flooring, carpet, carpet tile and
traditional carpet with underlay.
DFT base not available curved.

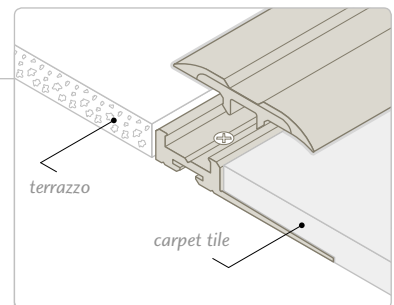
TT37/DFT
available with or without carpet gripper



TT37/AFT



Typical example: TT37/AFT15
carpet to carpet tile.



Typical example: TT37/AFT terrazzo to
carpet tile. Note: shown without carpet
gripper when used with carpet tile.

COLOUR AVAILABILITY

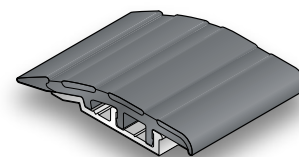
PVC-u: Black, Bluebell, Brown, Dove, Evergreen, Granite.

For a quick colour reference guide use the back cover foldout.
For full details on Colour Availability see pages 98 to 99.

PVC-U RANGE

For guidance on the correct selection of transition strips see pages 96 to 99.

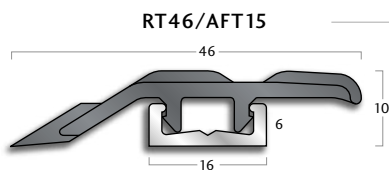
Tops	PVC-u
Bases	Aluminium
Application	Department stores, some retail high street shops, hospitals
Profiles	Dimensions shown are nominal. Illustrations are full size in mm. Products subject to minor design alterations without notice.



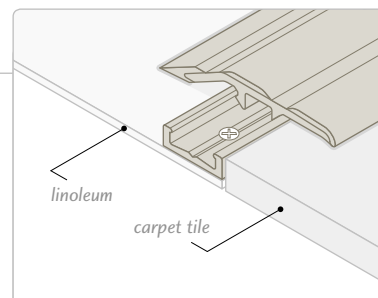
RT55/AFT55

RAMPED TOP

Provides transition between:
Resilient floorcoverings, carpet
and carpet tile.

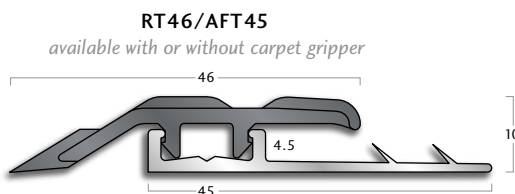


RT46/AFT15



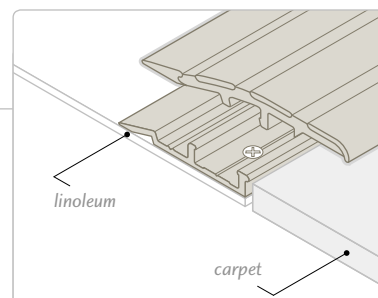
Typical example: RT46/AFT15 linoleum to carpet tile. Note: AFT15 fitted on top of the linoleum.

Provides transition between:
Resilient floorcoverings, carpet,
carpet tile and traditional carpet
with underlay.



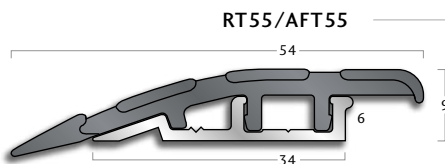
RT46/AFT45

available with or without carpet gripper



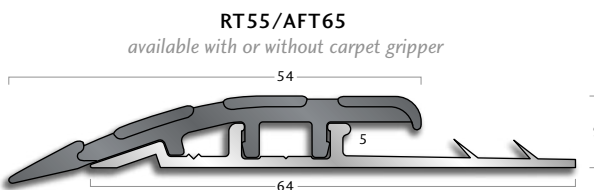
Typical example: RT55/AFT55 linoleum to carpet. Note: AFT55 fitted on top of the linoleum.

Provides transition between:
Resilient floorcoverings, carpet
and carpet tile.



RT55/AFT55

Provides transition between:
Resilient floorcoverings, carpet,
carpet tile and traditional carpet
with underlay.



RT55/AFT65

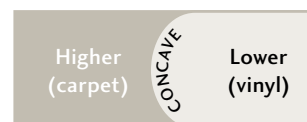
available with or without carpet gripper

CURVING CLIP-TOP

Anything below the minimum radius cannot be curved. Curves greater than the maximum radius can be curved on-site or by Gradus on request. Tops and bases not listed below cannot be curved.

TOPS		
Profile	Min. Radius mm	Max. Radius mm
FT19	250	800
RT35M	1000	3500
RT46	1000	3500
RT55	600	3500
TT25M	500	800
TT37	250	800

BASES		
Profile	Min. Radius mm	Max. Radius mm
AFT12	250	6000
AFT13	250	6000
AFT14	250	6000
AFT15	250	6000
AFT17	250	7000
AFT55	600	9000



Clip-Top *fx*TM *creating curves on site*



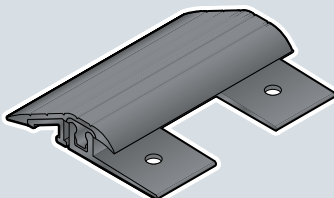
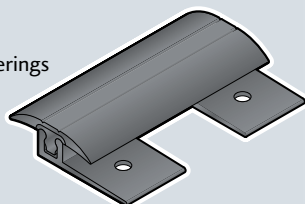
Peter Cook/View.

Description

Clip-Top *fx* is a two-piece product allowing design flexibility in most commercial situations. The product can be easily formed on site without the need for heat application, reducing the requirement for pre-fabricated curves. Tops are co-extruded PVC-u and can be replaced so that the colour can be altered as part of a refurbishment programme, or if a worn or damaged section needs to be changed, without renewing the base or disrupting the fitted floorcovering. A choice of tops is available to accommodate different requirements. A choice of bases is also available. A rigid PVC-u base is supplied pre-punched with tabs and fixing holes to allow for the formation of curves whereas aluminium bases are available to be used for straight lengths.

Which Clip-Top *fx*?

Twin Top
Used to join floorcoverings
of the same height



Ramp Top
Used to join floorcoverings
of different heights

Profile Availability

Gauge of profiles to suit most floorcoverings.

- When using Clip-Top *fx* with carpet, the compressed thickness of the carpet should always be a tight fit to the internal gauge of the combined top/base profile
- In some instances latex screed or bevelled underlay can be used to build up the gauge of the floorcovering
- Clip-Top *fx* bases should always be fitted on top of the resilient floorcoverings when used in a ramp configuration
- PVC-u bases supplied pre-punched to form curves. Latex screed should be used with resilient floorcoverings to prevent pre-punched base shadowing through. Aluminium bases should always be used on straight lengths
- Details of minimum curving radii are shown opposite

Finishes / Environment

Suitable for interior use.

- Choice of 6 colours to suit different interior design schemes

Installation

Installation guidelines can be found on page 133.

- A typical installation using Clip-Top *fx* is shown opposite

Services

- **Technical Services**
- **Special profile design**
- **Samples**

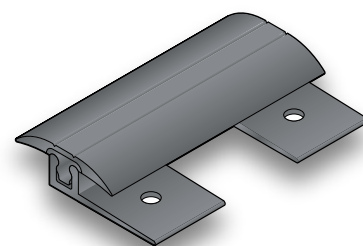
Clip-Top *fx*

European Community Design No 7067-0001 - 7067-0010

CLIP-TOP fx

For guidance on the correct selection of transition strips see pages 96 to 99.

Tops	PVC-u
Bases	PVC-u bases are punched with fixing tabs and holes. Aluminium bases are unpunched.
Application	Retail high street shops, schools, hotels, some offices.
Profiles	Dimensions shown are nominal. Illustrations are full size in mm. Products subject to minor design alterations without notice.

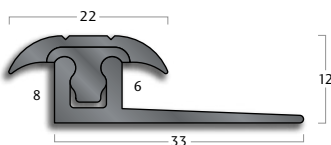


FXT31/FXB336

TWIN TOP

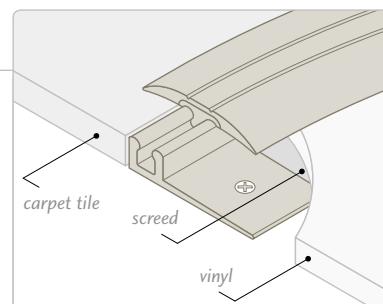
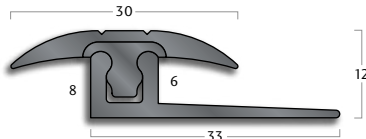
Provides transition between: Hard flooring, carpet and carpet tile. FXT21 shown with FXB336 PVC-u base pre-punched for forming curves. FXT21 can be used with all PVC-u and aluminium bases.

FXT21/FXB336



Provides transition between: Hard flooring, carpet and carpet tile. FXT31 shown with FXB336 PVC-u base pre-punched for forming curves. FXT31 can be used with all PVC-u and aluminium bases.

FXT31/FXB336

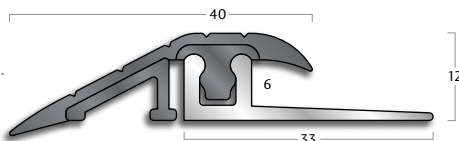


Typical example: FXT31/FXB336 carpet tile to vinyl. Note: screed is used to build up vinyl to suit height of base and prevent base shadowing through.

RAMP TOP

Provides transition between: Resilient floorcoverings, carpet and carpet tile. FXR40 shown with AFT336 aluminium base for straights. FXR40 can be used with FXB336 and AFT336 bases.

FXR40/AFT336



ON SITE CURVING

Profile	Min. Radius mm
FXT21	400
FXT31	400
FXR40 Convex	400
FXR40 Concave	900

COLOUR AVAILABILITY

PVC-u Tops: Black, Bluebell, Brown, Dove, Evergreen, Granite.

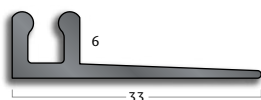
For a quick colour reference guide use the back cover foldout. For full details on Colour Availability see pages 98 to 99.



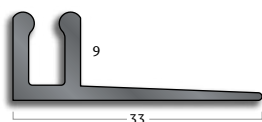
PVC-u BASE

Supplied pre-punched with fixing tabs and holes to form curves on site. PVC-u bases suitable for use with FXT21 and FXT31. FXR40 only suitable for use with FXB336.

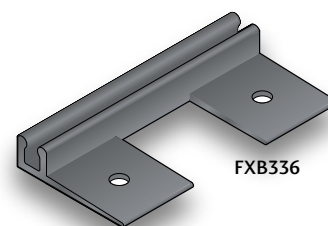
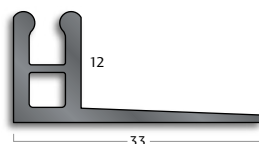
FXB336



FXB339



FXB3312

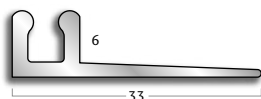


FXB336

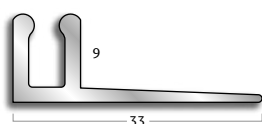
ALUMINIUM BASE

Supplied pre-drilled for straights. Aluminium bases suitable for use with FXT21 and FXT31. FXR40 only suitable for use with AFT336.

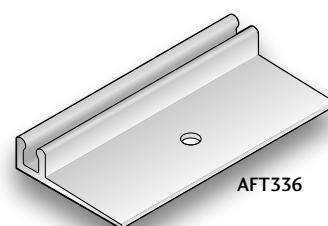
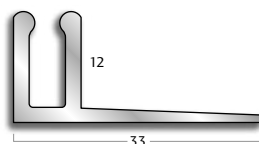
AFT336



AFT339



AFT3312



AFT336

Section 4

MTS™ Multi-Trim System *versatile transition strips*



Edmund Sumner/View.

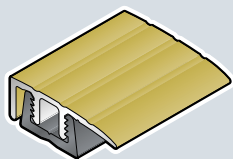
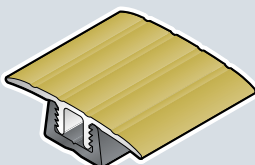
Description

MTS *multi-trim system* is a versatile and simple solution for common interfaces between flooring materials. MTS is ideal for use with a variety of flooring materials where expansion would be required, including wood, wood laminate, ceramics and terrazzo. Available in a choice of anodised metal or wood-effect finishes in a choice of profiles and heights, MTS offers a neat and attractive finish to commonly found junctions between flooring materials in domestic and light traffic commercial environments. MTS is available pre-packaged with full instructions and screw fixings and is simple to install.

Which MTS Profile?

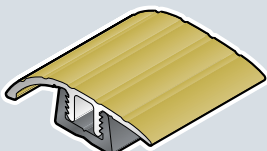
Twin Top

Used to join floorcoverings of the same height



Border Top

Used to finish the edge of a floor-covering for example against a skirting



Ramp Top

Used to join floorcoverings of different heights

Profile Availability

Gauge of profiles suitable for ceramic, wood laminate, carpet and terrazzo.

- Profile designs include twin tops (ATT and WTT) border tops (ATB and WTB) and ramp tops (ATR and WTR)
- Choice of gauges to accommodate floorcovering thicknesses of 8mm to 16mm
- Tops and bases supplied pre-packed in lengths of 900mm and 2700mm

Finishes / Environment

Aluminium tops with gold or wood-effect finishes.

- Suitable for interior use
- Metal finishes in Polished Gold and Etched Gold
- Wood-effect finish in Beech, Light Oak, Dark Oak, Maple, Cherry and Mahogany (*available Autumn 2004*)

Installation

Installation guidelines can be found on page 133.

- Examples of typical installations using MTS are shown on the following pages
- When installed with wood or wood laminate flooring a suitable gap must be left between the profile base and the flooring to allow for natural expansion
- Full instructions are supplied with the product

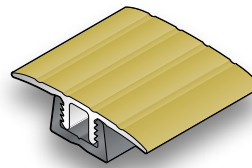
Services

- **Technical Services**
- **Samples**

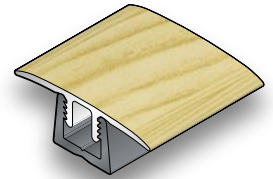
MTS

For guidance on the correct selection of transition strips see pages 96 to 99.

Tops	Aluminium with anodised metal or wood-effect finishes
Bases	PVC-u
Application	Domestic and light traffic commercial environments
Profiles	Dimensions shown are nominal. Illustrations are full size in mm. Products subject to minor design alterations without notice.



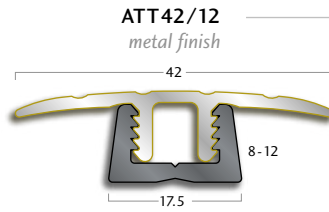
ATT42/12



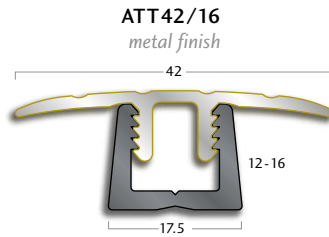
WTT42/16

TWIN TOP

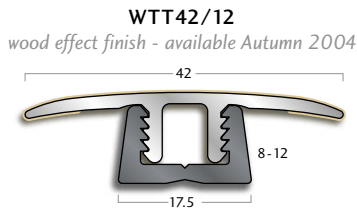
Provides a coordinating join and allows a safe transition between floorcoverings of the same height. Also protects the raw edge of floorcovering materials.



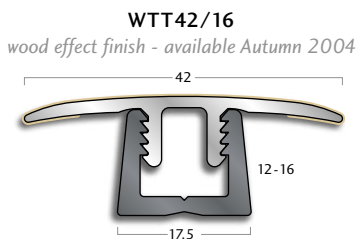
ATT42/12
metal finish



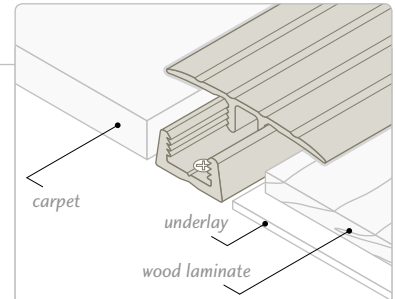
ATT42/16
metal finish



WTT42/12
wood effect finish - available Autumn 2004



WTT42/16
wood effect finish - available Autumn 2004



Typical example: ATT42/12 carpet to wood laminate. Note: shown with gap between profile base and wood laminate to allow for natural expansion.

COLOUR AVAILABILITY

ATT: Polished Gold, Etched Gold.

WTT: Beech, Light Oak, Dark Oak, Maple, Cherry, Mahogany (available Autumn 2004).

For a quick colour reference guide use the back cover foldout.

For full details on Colour Availability see pages 98 to 99.

MTS

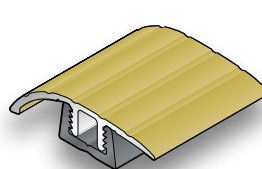
For guidance on the correct selection of transition strips see pages 96 to 99.

Tops Aluminium with anodised metal or wood-effect finishes

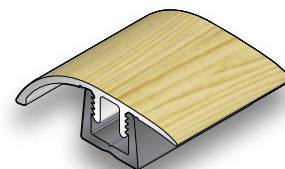
Bases PVC-u

Application Domestic and light traffic commercial environments

Profiles Dimensions shown are nominal. Illustrations are full size in mm. Products subject to minor design alterations without notice.



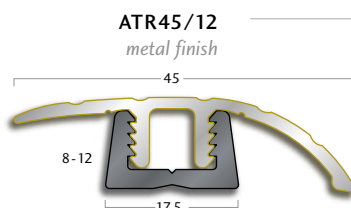
ATR45/12



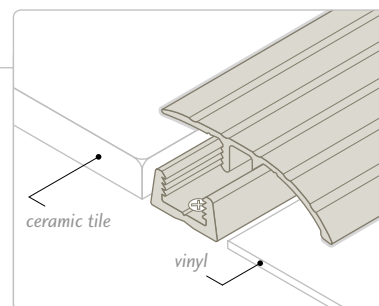
WTR50/16

RAMP TOP

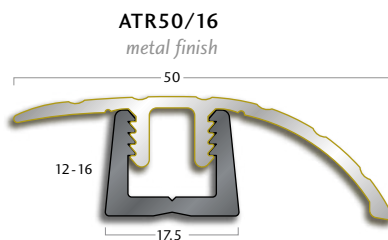
Protects the edge of wood flooring, wood laminate, ceramic tile, vinyl and carpet floorcoverings and provides a safe transition to adjacent lower surfaces.



ATR45/12
metal finish

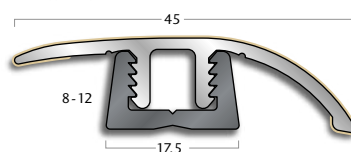


Typical example: ATR45/12 ceramic tile to vinyl.

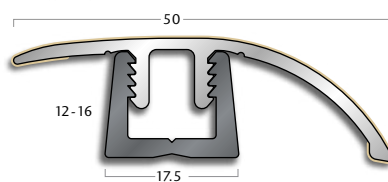


ATR50/16
metal finish

WTR45/12
wood effect finish - available Autumn 2004



WTR50/16
wood effect finish - available Autumn 2004



COLOUR AVAILABILITY

ATR: Polished Gold, Etched Gold.

WTR: Beech, Light Oak, Dark Oak, Maple, Cherry, Mahogany (available Autumn 2004).

For a quick colour reference guide use the back cover foldout.

For full details on Colour Availability see pages 98 to 99.

MTS

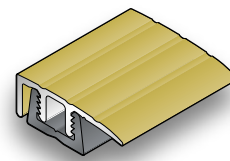
For guidance on the correct selection of transition strips see pages 96 to 99.

Tops Aluminium with anodised metal or wood-effect finishes

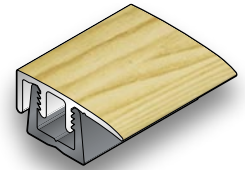
Bases PVC-u

Application Domestic and light traffic commercial environments

Profiles Dimensions shown are nominal. Illustrations are full size in mm. Products subject to minor design alterations without notice.



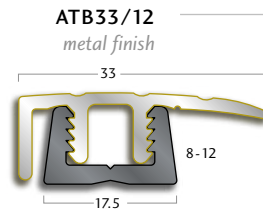
ATB33/12



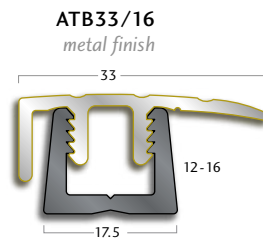
WTB33/16

BORDER TOP

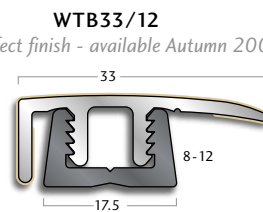
Allows the neat finishing of flooring materials against skirting around the perimeter of a room. Also protects the raw edge of floorcovering materials.



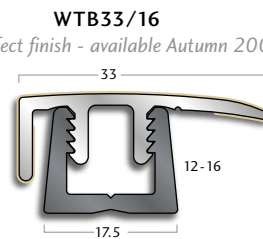
ATB33/12
metal finish



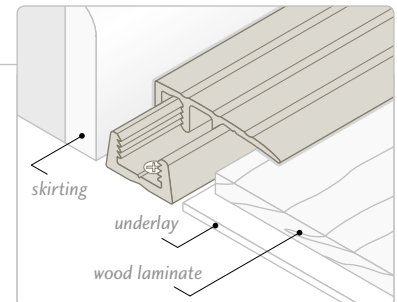
ATB33/16
metal finish



WTB33/12
wood effect finish - available Autumn 2004



WTB33/16
wood effect finish - available Autumn 2004



Typical example: ATB33/12 wood laminate to skirting. Note: shown with gap between profile base and wood laminate to allow for natural expansion.

COLOUR AVAILABILITY

ATB: Polished Gold, Etched Gold.

WTB: Beech, Light Oak, Dark Oak, Maple, Cherry, Mahogany (available Autumn 2004).

For a quick colour reference guide use the back cover foldout.

For full details on Colour Availability see pages 98 to 99.

PPS™ & Euro-Clip™

wood and wood laminate transition strips



Edmund Sumner/View.

Description

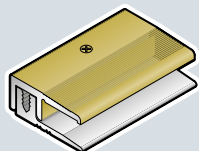
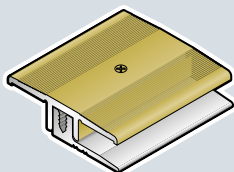
PPS comprises a range of two-piece gold-effect floor trims for domestic and light commercial use that allows safe transition for flooring such as wood, wood laminate and ceramic tiles. The PPS system utilises aluminium bases and tops with a unique patented linking screw which allows the height to be adjusted to suit most types of flooring.

Euro-Clip is a range of two-piece wood-effect floor trims for domestic and light commercial use that allows a coordinating, safe transition for flooring such as wood, wood laminate and ceramic tiles. The Euro-Clip system comprises aluminium bases and tops which are clipped into the bases to an adjustable height to suit the floorcoverings.

Which Profile?

Twin Top

Used to join floorcoverings of the same height

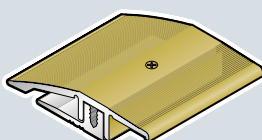


Ramp Top

Used to join floorcoverings of different heights

Border Top

Used to finish the edge of a floor-covering, for example, against a skirting.



Profile Availability

Gauge of profiles suitable for wood and wood laminate.

- Profile designs include twin tops (KC), border tops (KB) and ramp tops (KA)
- Choice of gauges to accommodate thicknesses of 6mm to 16mm
- Tops and bases supplied pre-packed in lengths of 900mm and 2700mm

Finishes / Environment

Aluminium tops with gold or wood effect finishes.

- Suitable for interior use
- PPS in Gold effect finish (matt)
- Euro-Clip wood-effect finish in Pine, Dark Beech, Light Beech, Light Oak, Maple and Alder

Installation

Installation guidelines can be found on page 133.

- Examples of typical installations using PPS and Euro-Clip are shown on the following pages
- When installed with wood or laminate flooring a suitable gap must be left between the profile base and the flooring to allow for natural expansion
- Full instructions are supplied with the product

Services

- **Technical Services**
- **Samples**

“Original *Küberit*® System”

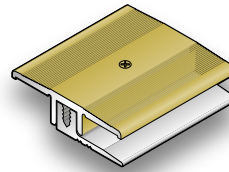
Patented DT - Pat 3743 895
EP - Pat 0321 634

US - Pat 4893 449
DE - GESCHM M9208492.2

PPS & EURO-CLIP

For guidance on the correct selection of transition strips see pages 96 to 99.

Tops	Aluminium with anodised metal or wood-effect finishes
Bases	Aluminium
Application	Domestic and light traffic commercial environments
Profiles	Dimensions shown are nominal. Illustrations are full size in mm. Products subject to minor design alterations without notice.



KC 388 L
PPS

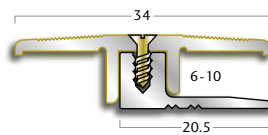


KC 588 LH
Euro-Clip

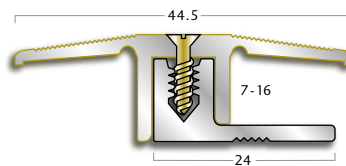
TWIN TOP

Provides a coordinating join and allows a safe transition between floorcoverings of the same height. Also protects the raw edge of floorcovering materials.

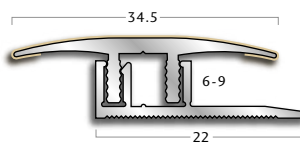
KC 388 L PPS



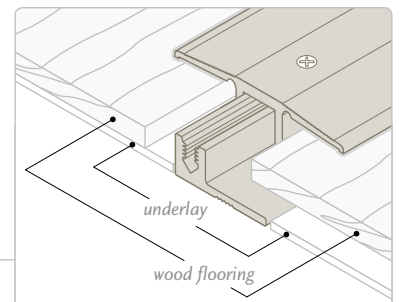
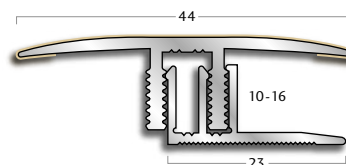
KC 388 PPS



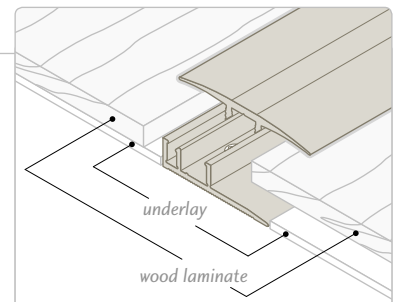
KC 588 LH Euro-Clip



KC 588 H Euro-Clip



Typical example: KC388 wood flooring to wood flooring. Note: shown with gap between profile base and wood flooring to allow for natural expansion.



Typical example: KC588LH wood laminate to wood laminate. Note: shown with gap between profile base and wood laminate to allow for natural expansion.

COLOUR AVAILABILITY

PPS: Gold (matt).

Euro-Clip: H10 Pine, H20 Dark Beech, H22 Light Beech, H30 Light Oak, H40 Maple, H70 Alder.

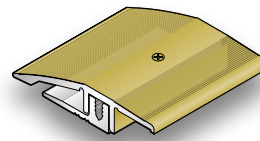
For a quick colour reference guide use the back cover foldout.

For full details on Colour Availability see pages 98 to 99.

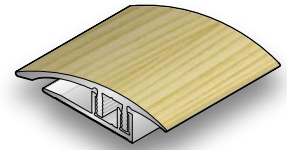
PPS & EURO-CLIP

For guidance on the correct selection of transition strips see pages 96 to 99.

Tops	Aluminium with anodised metal or wood-effect finishes
Bases	Aluminium
Application	Domestic and light traffic commercial environments
Profiles	Dimensions shown are nominal. Illustrations are full size in mm. Products subject to minor design alterations without notice.



KA 386 L
PPS

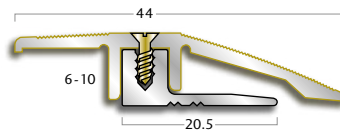


KA 586 LH
Euro-Clip

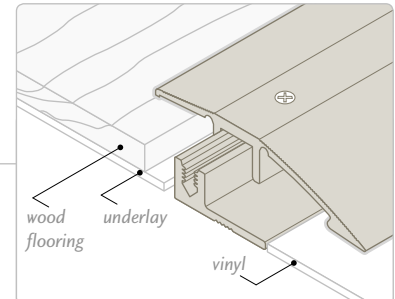
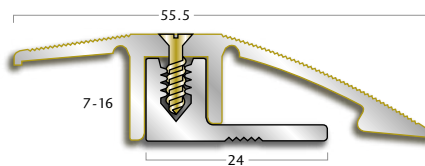
RAMP TOP

Protects the edge of wood flooring, wood laminate, ceramic tile and carpet floorcoverings and provides a safe transition to adjacent lower surfaces.

KA 386 L PPS

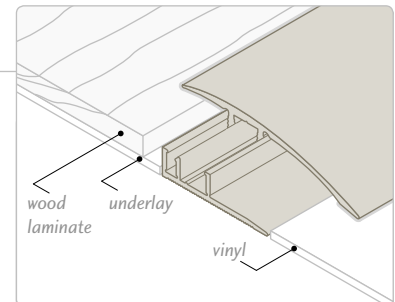
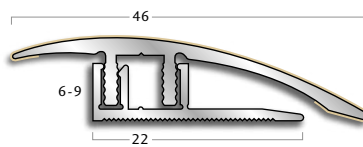


KA 386 PPS



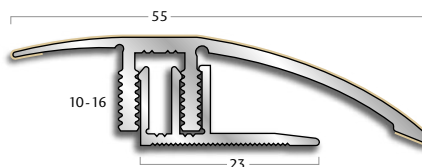
Typical example: KA386 wood flooring to vinyl. Note: shown with gap between profile base and wood flooring to allow for natural expansion.

KA 586 LH Euro-Clip



Typical example: KA586LH wood laminate to vinyl. Note: shown with gap between profile base and wood laminate to allow for natural expansion.

KA 586 H Euro-Clip



COLOUR AVAILABILITY

PPS: Gold (matt).

Euro-Clip: H10 Pine, H20 Dark Beech, H22 Light Beech, H30 Light Oak, H40 Maple, H70 Alder.

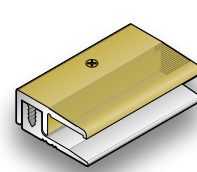
For a quick colour reference guide use the back cover foldout.

For full details on Colour Availability see pages 98 to 99.

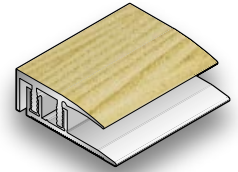
PPS & EURO-CLIP

For guidance on the correct selection of transition strips see pages 96 to 99.

Tops	Aluminium with anodised metal or wood-effect finishes
Bases	Aluminium
Application	Domestic and light traffic commercial environments
Profiles	Dimensions shown are nominal. Illustrations are full size in mm. Products subject to minor design alterations without notice.



KB 387 L
PPS

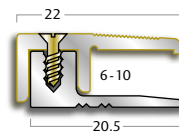


KB 587 LH
Euro-Clip

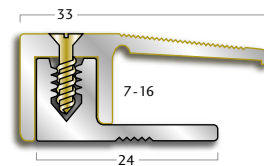
BORDER TOP

Allows the neat finishing of flooring materials against skirting around the perimeter of a room. Also protects the raw edge of floorcovering materials.

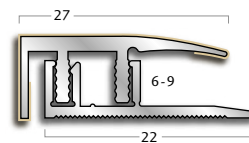
KB 387 L PPS



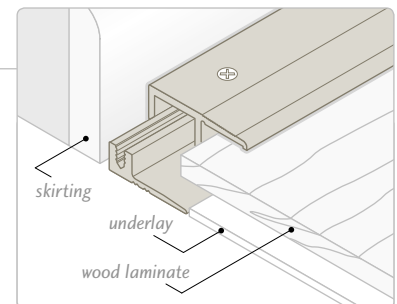
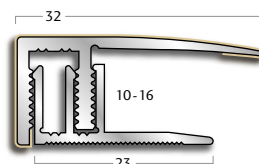
KB 387 PPS



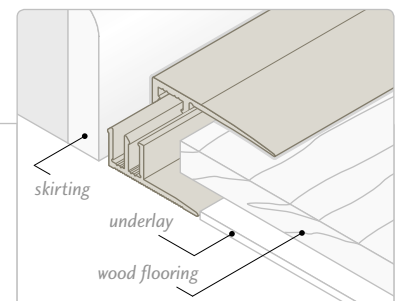
KB 587 LH Euro-Clip



KB 587 H Euro-Clip



Typical example: KB387L wood laminate to skirting. Note: shown with gap between profile base and wood laminate to allow for natural expansion.



Typical example: KB578H wood flooring to skirting. Note: shown with gap between profile base and wood flooring to allow for natural expansion.

COLOUR AVAILABILITY

PPS: Gold (matt).

Euro-Clip: H10 Pine, H20 Dark Beech, H22 Light Beech, H30 Light Oak, H40 Maple, H70 Alder.

For a quick colour reference guide use the back cover foldout.

For full details on Colour Availability see pages 98 to 99.

Trans-Edge™ heavy-duty carpet trims



Dennis Gilbert/View.

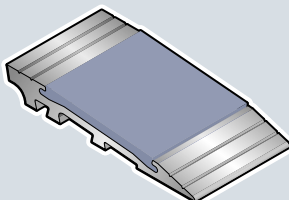
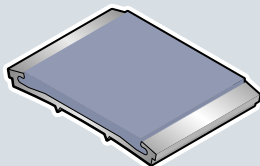
Description

Trans-Edge carpet trims have been designed for use in the most demanding environments where frequent heavy foot and trolley traffic can be expected. Available in a choice of gauges, Trans-Edge carpet trims are manufactured in high quality aluminium to withstand repeated heavy traffic impacts. The incorporation of Gradus Interior insert material provides a slip resistant surface as well as allowing either a complementary or contrasting colour choice to blend with the surrounding floor finishes. Following the concept of Elite stair edgings, inserts are fitted on site to allow concealed fixings. A choice of profiles is available for joining floorcoverings on different levels (ELAR) or of similar heights (ELACS).

Which Trans-Edge Trim?

Flat Profile (ELACS)

Used to join floorcoverings of the same height



Ramp Profile (ELAR)

Used to join floorcoverings of different heights

Profile Availability

Gauge of profiles suitable for most floorcoverings.

- Choice of ramp or flat design
- When used with carpet, compressed carpet thickness should match profile gauge
- Ramp profiles should always be fitted on top of resilient floorcoverings
- Insert (ELINS40) is ordered separately from the aluminium channel

Finishes / Environment

Suitable for interior use.

- Mill finish aluminium channel
- Insert choice of 20 colours

Installation

Installation guidelines can be found on page 133.

- Elite: concealed fixing, inserts fixed on site
- Examples of typical installations using Trans-Edge carpet trims are shown on the opposite page

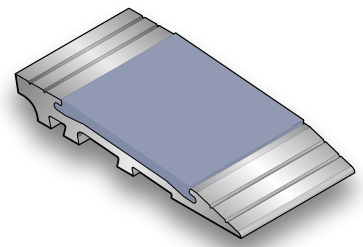
Services

- Technical Services
- Special profile design
- Samples

TRANS-EDGE

For guidance on the correct selection of transition strips see pages 96 to 99.

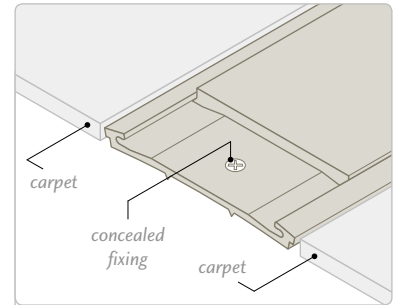
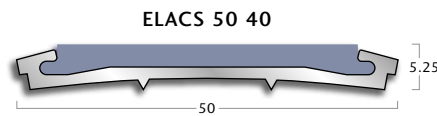
Channel	Mill finish aluminium
Inserts	Interior
Application	Railway stations, airports, transport interchanges.
Profiles	Dimensions shown are nominal. Illustrations are full size in mm. Products subject to minor design alterations without notice.



ELAR 709 40

FLAT PROFILE

Provides a neat transition between carpet finishes.

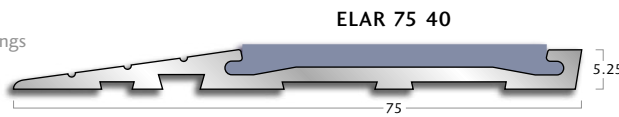


Typical example: ELACSS040 carpet to carpet.

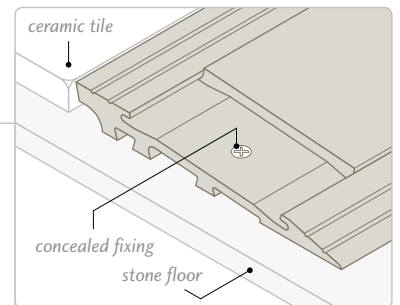
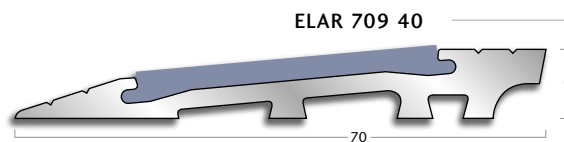
RAMP PROFILE

Provides a neat transition between floorcoverings of a different height.

Provides transition between:
Carpet and resilient floorcoverings
or terrazzo/stone.

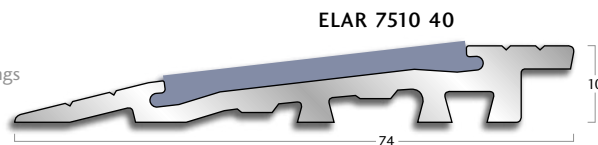


Provides transition between:
Wood or ceramic tile and resilient
floorcoverings or terrazzo/stone.



Typical example: ELAR70940 ceramic tile to stone floor.

Provides transition between:
Carpet and resilient floorcoverings
or terrazzo/stone.



COLOUR AVAILABILITY

Interior Insert: Burgundy, Buttercup*, Cloud, Coffee, Cornflower, Evergreen, Fawn, Jet, Lead, Linen, Marine, Midnight, Nutmeg, Ocean, Poppy, Sage, Snowdrift, Spice, Steel, Storm. Note: *subject to minimum quantities.

Elite Insert is supplied separately from the channel and must be specified separately.
ELINS40 (40mm).

For a quick colour reference guide use the back cover foldout.
For full details on Colour Availability see page 15 (Section 1).

Cable Ducts *cable management systems*

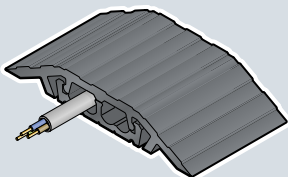
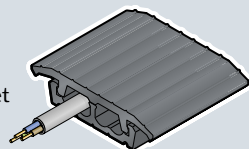


Description

Cable Ducts combine the principle of Gradus Clip-Top functionality with the added benefit of securing loose or trailing light duty cables such as computer cables. The Workplace (Health, Safety and Welfare) Regulations 1992 recommends that “floors should be suitable, in good condition and free of obstructions. Traffic routes should be organised so that people can circulate safely”. Trailing cables should be avoided, and where appropriate the use of cable ducts can help to securely fix cables and prevent accidents, whilst also preventing damage to vital cables.

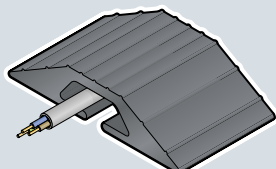
Which Cable Duct?

TD Series
Set-in to Carpet



RD Series
Surface Mounted

CD Series
One-piece System



Profile Availability

- Ideal for use in typical office environments, cable ducts can either be set in to the carpet to achieve a flush finish (TD series) or fitted on top of the floorcovering (RD series and CD), ideal where a semi-permanent solution is required. All cable duct profiles, with the exception of CD65 (a one-piece flexible profile), are supplied as separate tops and bases manufactured from PVC-u which clip together to form the cable duct
- Choice of profile for flush finish (three gauges) or surface mount finish
- TD and RD series two-piece rigid PVC-u, CD series one-piece pvc

Finishes / Environment

Suitable for interior use.

- Choice of 4 colours
- Suitable for most medium traffic applications

Installation

Installation guidelines can be found on page 133.

- Examples of typical installations using Cable Ducts are shown on the opposite page

Services

- **Technical Services**
- **Special profile design**
- **Samples**

CABLE DUCTS

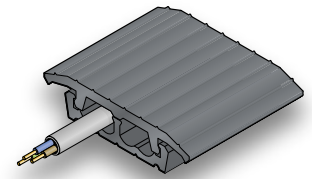
For guidance on the correct selection of transition strips see pages 96 to 99.

Tops **RD + TD series PVC-u, CD series pvc**

Bases **PVC-u**

Application **Most environments. Suitable for medium traffic**

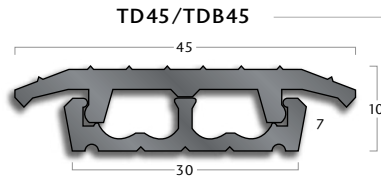
Profiles **Dimensions shown are nominal. Illustrations are full size in mm. Products subject to minor design alterations without notice.**



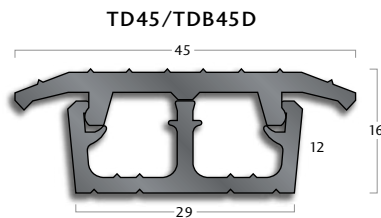
TD45/TDB45

FLUSH FINISH

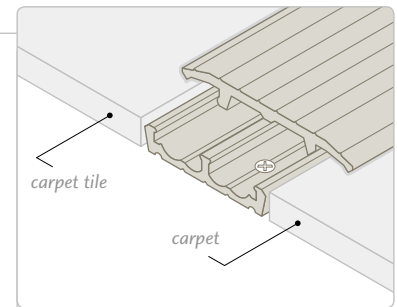
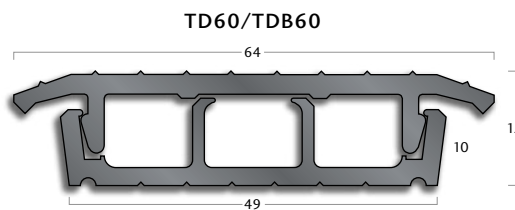
Provides transition between:
Carpets and carpet tiles.



Provides transition between:
Carpets and carpet tiles.



Provides transition between:
Carpets and carpet tiles.

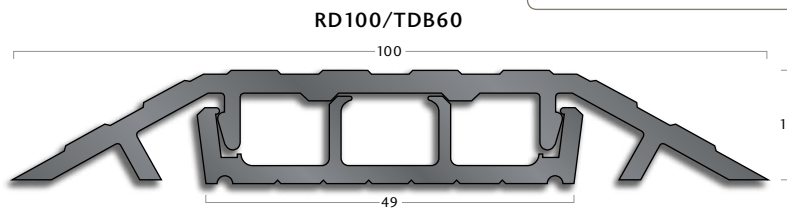


Typical example: TD45/TDB45 carpet tile to carpet.

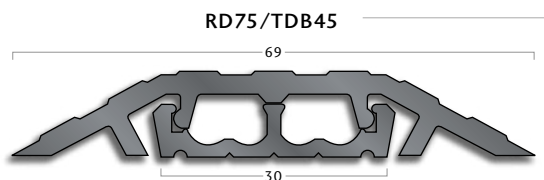
SURFACE MOUNTED

! RD profiles typically used with hard floorcoverings.
• For guidelines on use with carpet contact Technical Services.

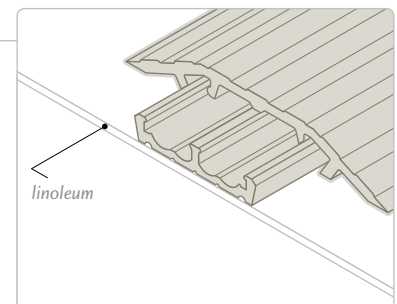
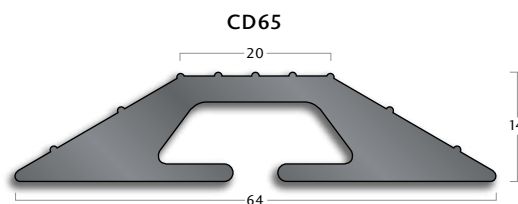
For surface fixing on
top of floorcoverings.



For surface fixing on
top of floorcoverings.



For surface mounting on top of
floorcoverings.



Typical example: RD75/TDB45 surface mounted to linoleum.

COLOUR AVAILABILITY

Cable Ducts: Black, Brown, Dove, Granite.

For a quick colour reference guide use the back cover foldout.
For full details on Colour Availability see pages 98 to 99.

Matwell Frames & Ramping Frames



Description

A matwell frame is used to help create, finish and protect a recess in the sub-floor that is used to accommodate a primary entrance barrier mat.

Gradus matwell frames are available in a choice of sizes to accommodate different gauges of entrance matting and are designed to work with all the primary entrance matting solutions in the Gradus range.

Available in a choice of aluminium or brass, all Gradus matwell frames are available either mitred or shaped subject to provision of a suitable drawing or template by the customer.

Ramping frame is used to create a 'surface matwell' where a mat is laid directly on top of the floor. Available in a choice of aluminium or pvc.

Gradus is able to offer a complete service for the provision of entrance barrier matting systems including product specification and recommended layouts, quotations and full on-site installation and project management services.

Provision of the correct matwell frame type and size is key to ensuring an effective entrance matting system.

Profile Availability

- Matwell frames are available pre-drilled in a choice of heights to suit different gauges of entrance matting
- Choice of aluminium or brass finish
- Ramping frame is suitable for use with 12mm primary entrance mats

Finishes / Environment

Suitable for interior and exterior use.

- Recessed frame suitable for heavy traffic.
- Ramping frame not suitable for use in areas subject to heavy trolley traffic

Installation and Maintenance

- Examples of typical installations using matwell frames are shown on the opposite page. Full installation instructions are available from Technical Services

Services

- **Technical Services**
- **Profiles can be fabricated**
- **Special profile design**
- **Samples**

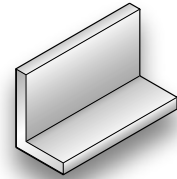
Further details on Gradus primary and secondary entrance matting can be found on pages 70 to 71.

Please request a copy of the Gradus Matting brochure for details on the complete range of Gradus primary and secondary entrance matting.



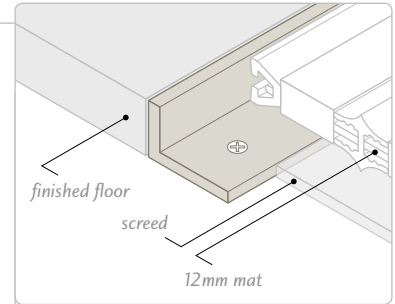
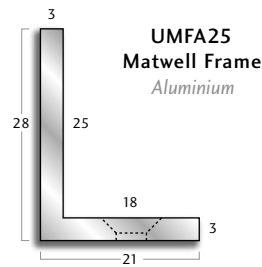
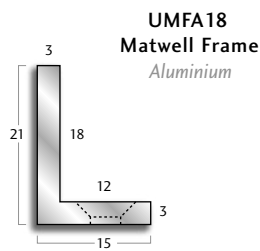
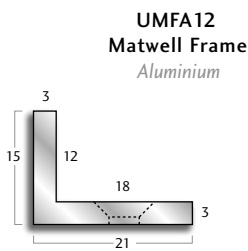
MATWELL FRAMES & RAMPING FRAMES

Material	Choice of aluminium, brass or pvc
Application	Suitable for heavy traffic use. Note: RAM012 and RMF50 not suitable for heavy trolley traffic applications
Profiles	Dimensions shown are nominal. Illustrations are full size in mm. Products subject to minor design alterations without notice.

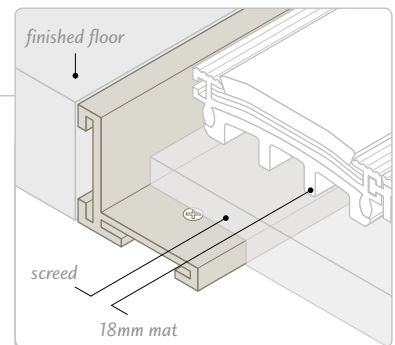
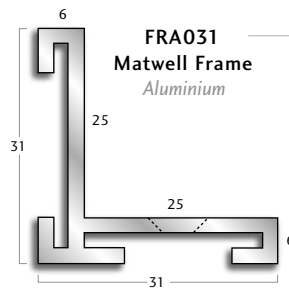
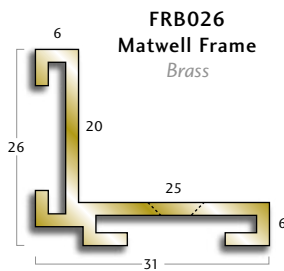


UMFA18
Matwell Frame

RECESSED FRAME

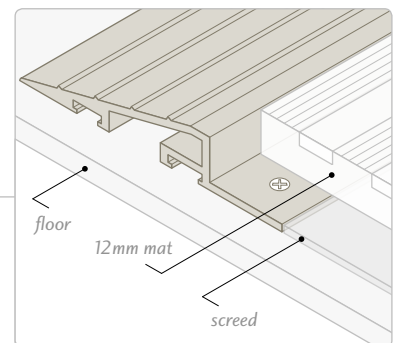
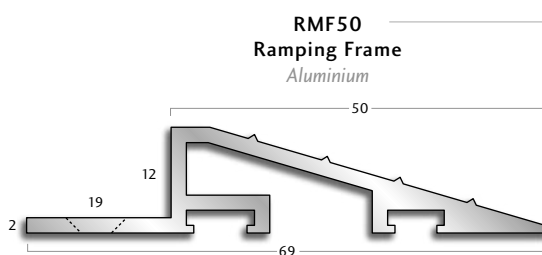
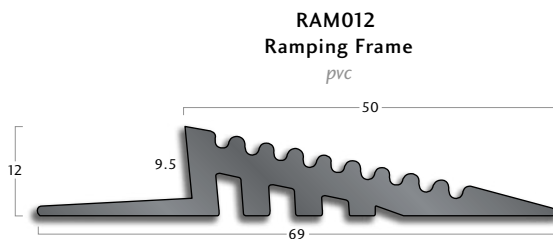


Example shows UMFA12 laid to accommodate a 12mm Gradus Topguard primary entrance mat.



Example shows FRA031 laid to accommodate an 18mm Gradus Esplanade Plus primary entrance mat.

RAMPING FRAME



Example shows RMF50 laid to accommodate a 12mm Gradus Access primary entrance mat.

Specialist Floor Trim Solutions



Description

The following pages offer a wide selection of specialist floor trims that provide various solutions to common problems encountered where different floorcoverings are used together. Diagrams are shown adjacent to each product family to illustrate how each particular group of profiles is commonly used.

Profile Availability

- A wide choice of profile shapes to suit many different flooring materials and applications. Details can be found on typical installations on the following pages

Finishes / Environment

Suitable for interior use.

Installation and Maintenance

- Full installation instructions are available from Technical Services
- Details of cleaning and maintenance instructions can be found on page 135

Services

- Technical Services
- Special profile design
- Samples

Which Floor Trim?

Nap Trims - used to finish the edge of a carpet where it meets either a stair edging or other material e.g. ceramic tile

Cover Strips - used to join floorcoverings of a similar thickness. Often used at door thresholds

Extruded Angle - pre-formed right angle for butting up to vinyl or pvc floorcovering

Dual Trim - used to finish a raised area such as tiered seating

Carpet Tile Edge - used to finish the edge of a carpet tile where it finishes or meets another floorcovering such as vinyl

Carpet Trims - used with carpet to form a junction with other flooring materials such as carpet, wood or ceramic tile

Feature Strips - used to form a joint between different types of flooring material. Most profiles can be curved on site

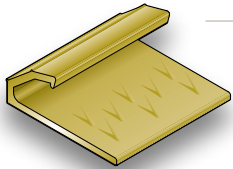
Feather Edge - used to finish an exposed edge of a resilient floorcovering and provide a safe transition to the sub floor

Ramp Edge - provides a neat and simple solution to junctions of flooring materials with different heights e.g. carpet to resilient floorcoverings

Construction Joint Covers - acts as a construction joint cover strip. Provides a neat finish that accommodates the minor movements that occur in this type of joint. Designed for use with resilient floorcoverings

Bevelled Underlay - used to quickly and safely build up the height of a floorcovering to meet a thicker gauge material. Often used in conjunction with stair edgings

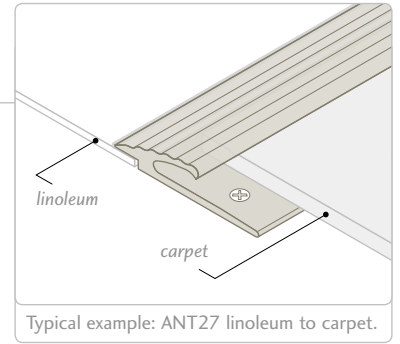
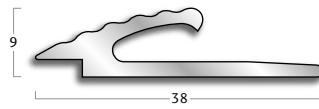
NAP TRIMS



BCT16

Nap trims provide a neat edge or join between different types of flooring material such as carpets, vinyl and ceramic tiles. ANT355, CG1042 and BCT16 are often used as a 'binder bar' with a stair edging (see Section 1, page 53).

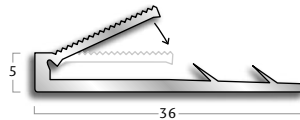
ANT27
Aluminium



Typical example: ANT27 linoleum to carpet.

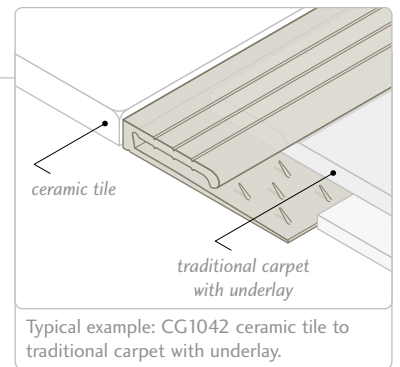
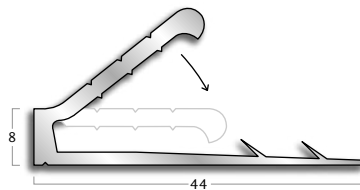
ANT355

Aluminium - available with or without carpet gripper



CG1042

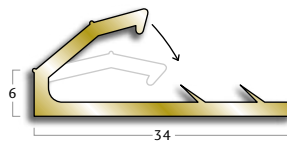
Aluminium - available with or without carpet gripper



Typical example: CG1042 ceramic tile to traditional carpet with underlay.

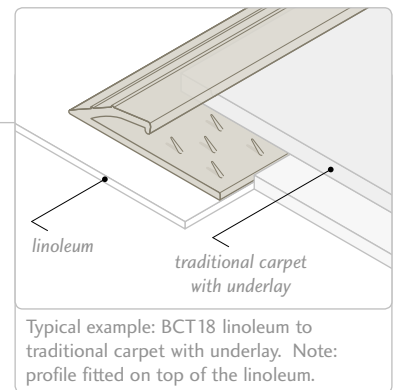
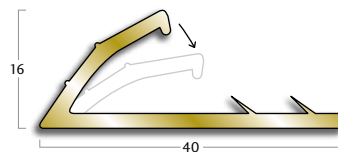
BCT16

Bronze - available with or without carpet gripper



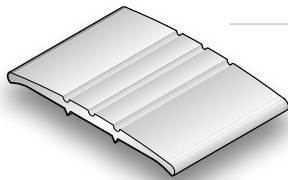
BCT18

Bronze - available with or without carpet gripper



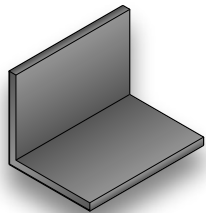
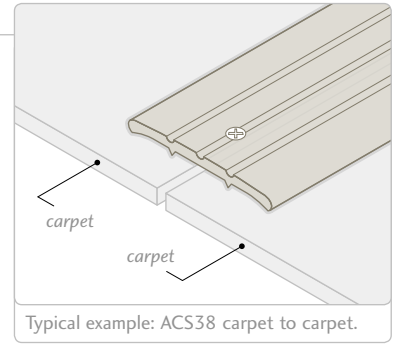
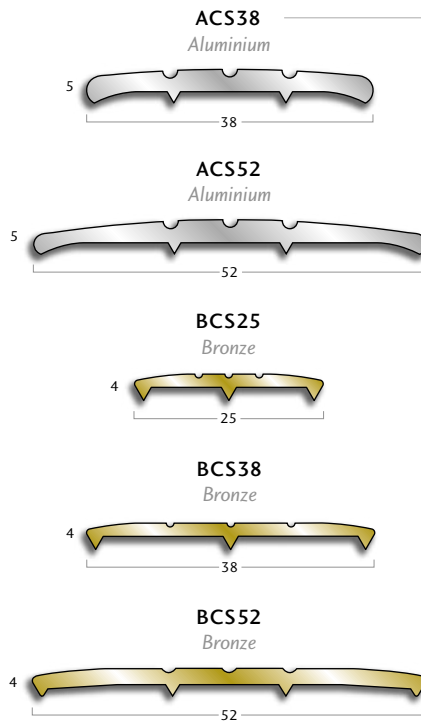
Profiles: Dimensions shown are nominal. Illustrations are full size in mm. Products subject to minor design alterations without notice.

COVER STRIPS



ACS52

Provides a bridge to cover joints in carpet and carpet tiles to ensure joints are neat and safe as well as protecting exposed edges. Typically used at door thresholds.

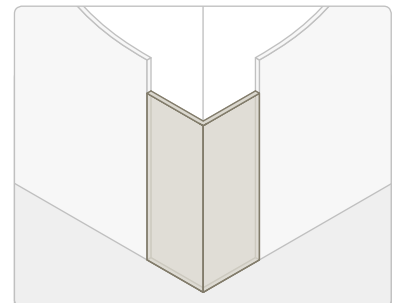
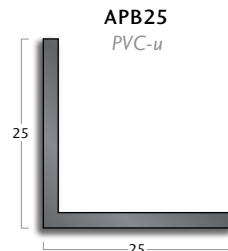


APB25

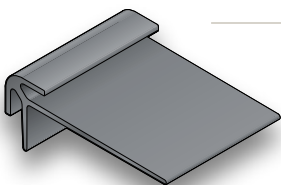
APB25 is an extruded PVC-u pre-formed right-angle for butting up to lengths of vinyl and pvc. Joints can be welded to give a perfect flush finish.

COLOUR AVAILABILITY
APB: Black.

EXTRUDED ANGLE

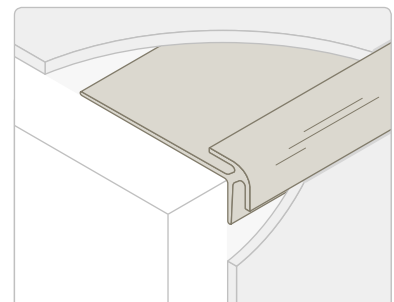
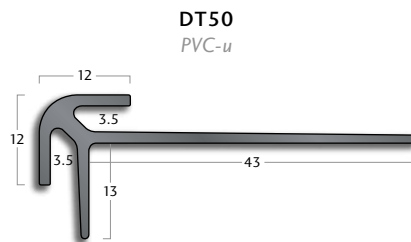


DUAL TRIM



DT50

DT50 is a rigid PVC-u trimming strip used to provide a neat finish to the edge of raised areas such as tiered seating in lecture theatres. Designed for use with resilient floorcoverings and thin gauge carpets.
Note: This product is not suitable for use as a stair edging.

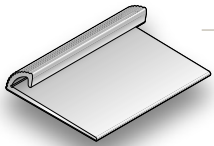


COLOUR AVAILABILITY
DT: Black, Brown, Dove, Granite.

For a quick colour reference guide use the back cover foldout.
For full details on Colour Availability see pages 98 to 99.

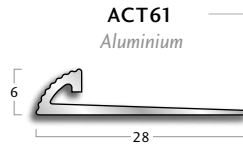
Profiles: Dimensions shown are nominal. Illustrations are full size in mm.
Products subject to minor design alterations without notice.

CARPET TILE EDGE

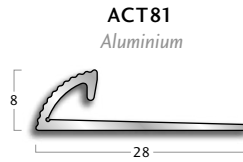


ACT81

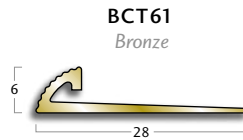
Used to form a neat and clean finish to the edge of a carpet tile or carpet where it either finishes or meets another floorcovering such as vinyl.



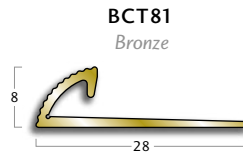
ACT61
Aluminium



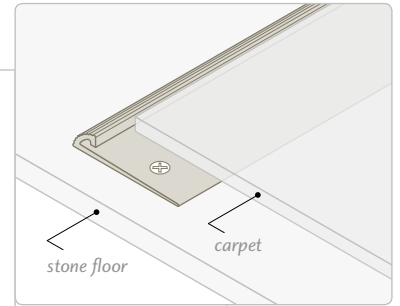
ACT81
Aluminium



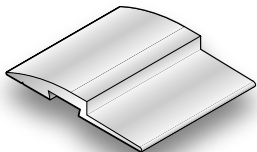
BCT61
Bronze



BCT81
Bronze

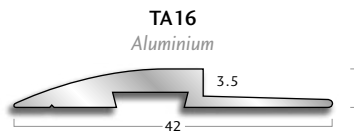


Typical example: ACT61 carpet to stone floor.

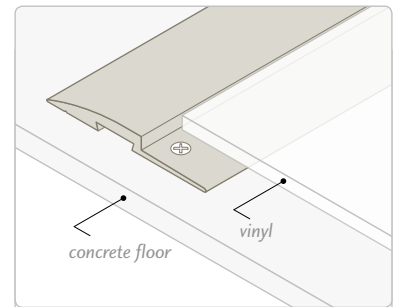


TA16

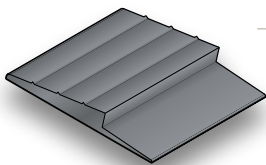
Provides a neat and simple solution to joining floorcoverings with different heights.



TA16
Aluminium

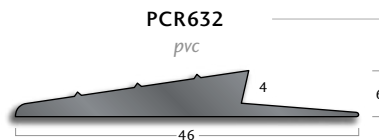


Typical example: TA16 vinyl to concrete floor.

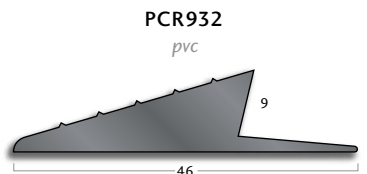


PCR632

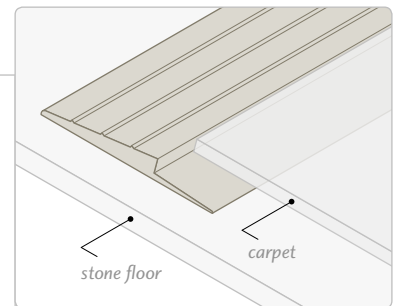
Provides a neat and simple solution to joining floorcoverings with different heights.



PCR632
pvc



PCR932
pvc



Typical example: PCR632 carpet to stone floor.

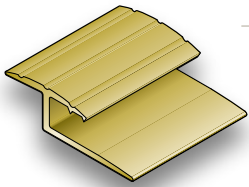
COLOUR AVAILABILITY

PCR: Black, Brown, Dove, Granite.

For a quick colour reference guide use the back cover foldout.
For full details on Colour Availability see pages 98 to 99.

Profiles: Dimensions shown are nominal. Illustrations are full size in mm.
Products subject to minor design alterations without notice.

CARPET TRIMS

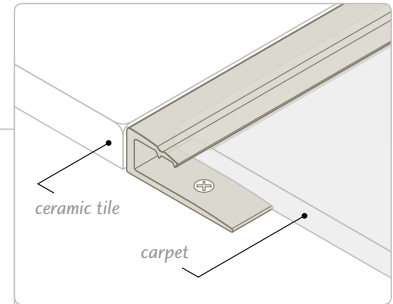
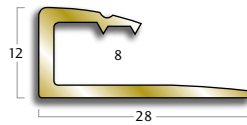


BCT28

Used with carpet or carpet tile at the junction with other floorcovering materials such as carpet, carpet tile, wood or ceramic tiles (BCT48).

BCT48

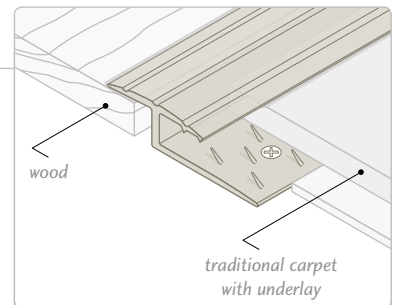
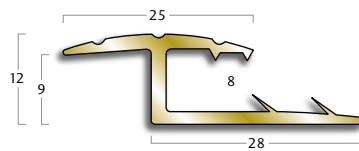
Bronze - available with or without carpet gripper



Typical example: BCT48 ceramic tile to carpet.

BCT28

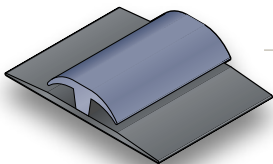
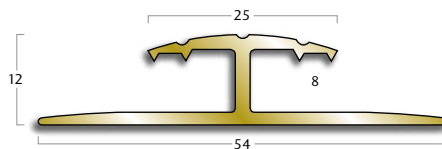
Bronze - available with or without carpet gripper



Typical example: BCT28 wood to traditional carpet with underlay.

BCT38

Bronze - available with or without carpet gripper

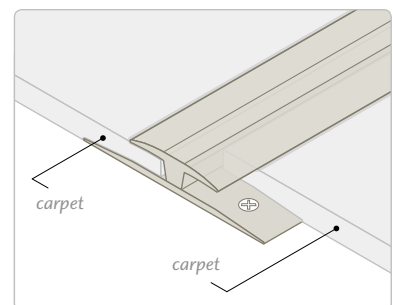
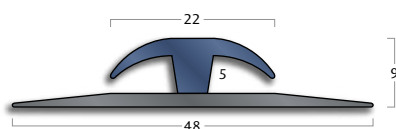


TH495

TH495 is a one-piece transition strip that is used to join floorcoverings of the same height. Suitable for use with carpet or carpet tile.

TH495

Co-extruded pvc top with PVC-u base



Typical example: TH495 carpet to carpet.

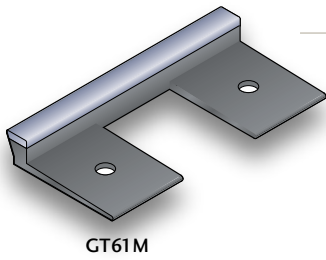
COLOUR AVAILABILITY

TH: Doubleton, Platinum, Silver, Zinc.

For a quick colour reference guide use the back cover foldout. For full details on Colour Availability see pages 98 to 99.

Profiles: Dimensions shown are nominal. Illustrations are full size in mm. Products subject to minor design alterations without notice.

FEATURE STRIPS



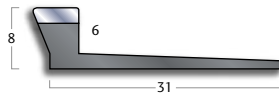
GT61M

Used to form a joint between different types of floorcovering such as carpet, carpet tiles, wood laminate and resilient floorcoverings. GT61 can be curved on site to accommodate shaped and radius designs. GT61 is supplied pre-punched with tabs and fixing holes.

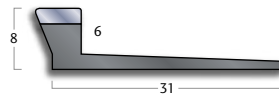
COLOUR AVAILABILITY

GT61M: Burnt Almond, Doubloon, Platinum, Silver, Zinc.
 GT61R: Black, Bluebell, Brown, Dove, Evergreen, Granite.
 GT61T: Atlantis, Aspen, Bluestone, Drystone, Helvellyn, Mars, Tundra.

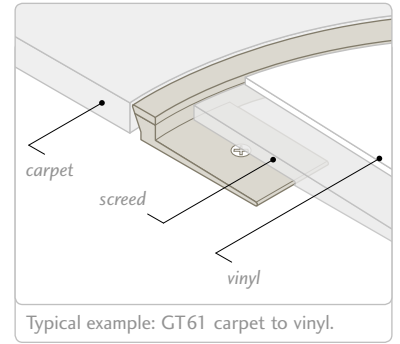
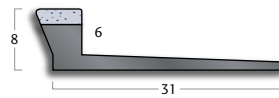
GT61M
 Co-extruded pvc Metallic top with PVC-u base



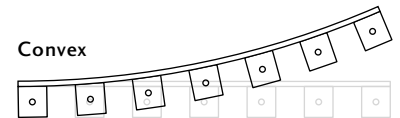
GT61R
 Co-extruded pvc top with PVC-u base



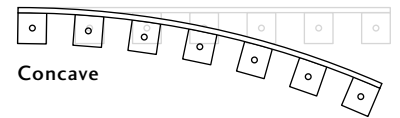
GT61T
 Co-extruded pvc Textura top with PVC-u base



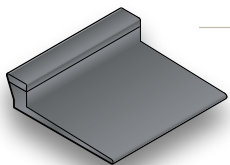
Convex



Min. Radius 400mm



Concave



PET276

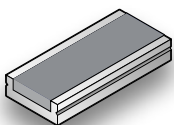
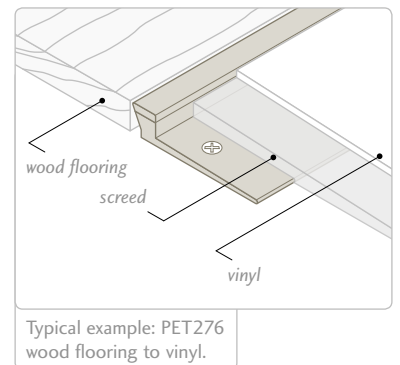
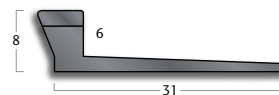
Used to form a joint between different types of floorcovering such as carpet, carpet tiles, wood laminate and resilient floorcoverings. Cannot be curved on-site.

COLOUR AVAILABILITY

PET: Black, Brown, Dove, Granite.

For a quick colour reference guide use the back cover foldout.
 For full details on Colour Availability see pages 98 to 99.

PET276
 Co-extruded pvc top with PVC-u base



FCA16

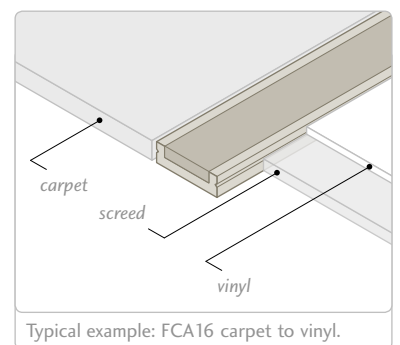
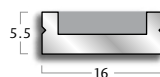
This factory curvable profile acts as a feature strip to help define walkways or separate floorcoverings.

COLOUR AVAILABILITY

Interior Insert: Burgundy, Buttercup, Cloud, Coffee, Cornflower, Evergreen, Fawn, Jet, Lead, Linen, Marine, Midnight, Nutmeg, Ocean, Poppy, Sage, Snowdrift, Spice, Steel, Storm.
 Interior Insert - Grained: Black, Bluebell, Brown, Dove, Granite.

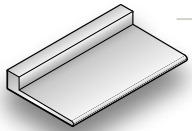
For a quick colour reference guide use the back cover foldout.
 For full details on Colour Availability see page 15 (Section 1).

FCA16
 Pvc insert with Aluminium base



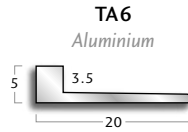
Profiles: Dimensions shown are nominal. Illustrations are full size in mm.
 Products subject to minor design alterations without notice.

FEATURE STRIPS

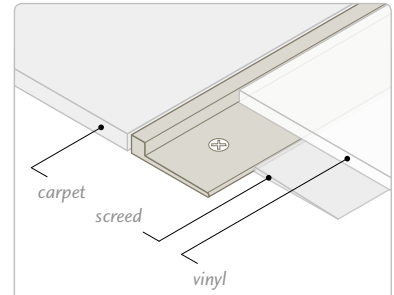


TA6

Used to form a joint between different types of floorcovering such as carpet, carpet tiles and resilient floorcoverings. TA6 cannot be curved.

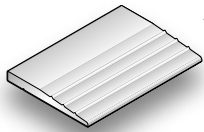


TA6
Aluminium



Typical example: TA6 carpet to vinyl.

FEATHER EDGE

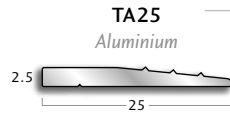


TA25

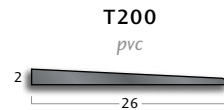
Used to finish the raw exposed edge of resilient floorcoverings. Typically used at the junction with terrazzo or stone floors.

COLOUR AVAILABILITY

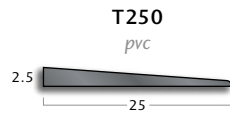
T: Black, Brown, Dove, Granite.



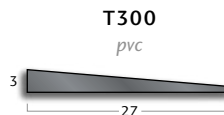
TA25
Aluminium



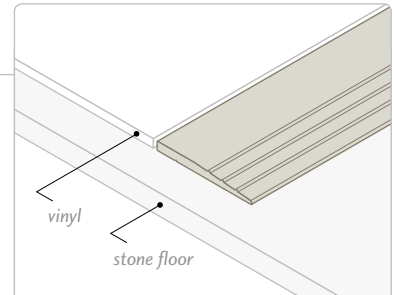
T200
pvc



T250
pvc

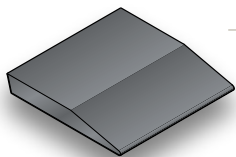


T300
pvc



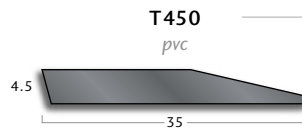
Typical example: TA25 vinyl to stone floor.

RAMP EDGE

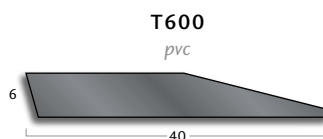


T450

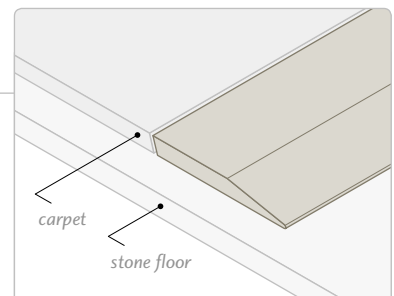
Provides a neat and simple solution to joining floorcoverings with different heights.



T450
pvc



T600
pvc



Typical example: T450 carpet to stone floor.

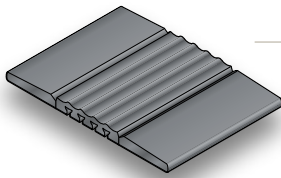
COLOUR AVAILABILITY

T: Black, Brown, Dove, Granite.

For a quick colour reference guide use the back cover foldout.
For full details on Colour Availability see pages 98 to 99.

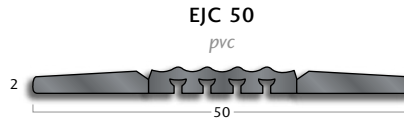
Profiles: Dimensions shown are nominal. Illustrations are full size in mm.
Products subject to minor design alterations without notice.

CONSTRUCTION JOINT COVERS

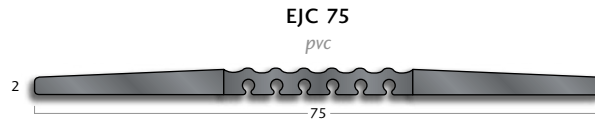


EJC 50

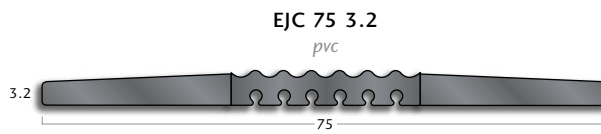
Construction Joint Cover is used to provide a cover for construction joints. This neat solution allows for minor movement that occurs.



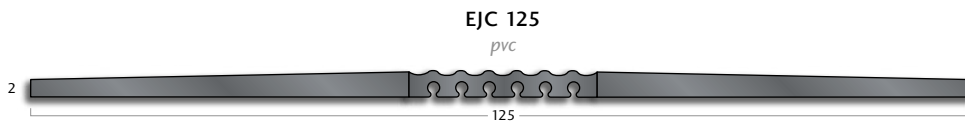
EJC 50
pvc



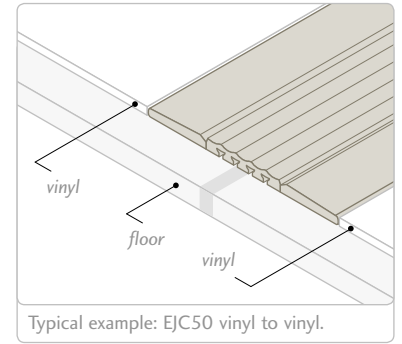
EJC 75
pvc



EJC 75 3.2
pvc



EJC 125
pvc

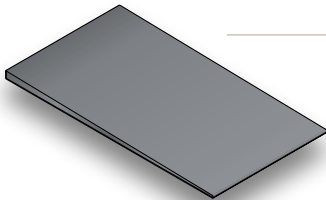


Typical example: EJC50 vinyl to vinyl.

COLOUR AVAILABILITY

EJC: Black, Brown, Dove, Granite.

BEVELLED UNDERLAY

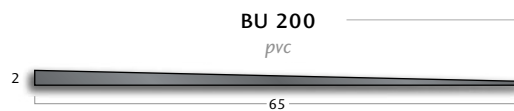


BU 200

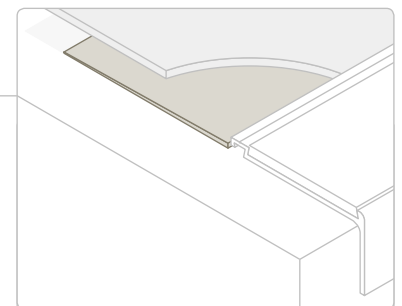
Bevelled underlay is a flexible pvc material used as a diminishing strip and is ideal for building up resilient floorcoverings. Correct use of bevelled underlay avoids trip hazards.

Grooves along the length of the underlay provide a straight cutting edge at points where the thickness gives ideal height adjustment.

Bevelled underlay is fitted with a proprietary contact adhesive and it is advisable to feather the tapered edge with a thin layer of latex cement.

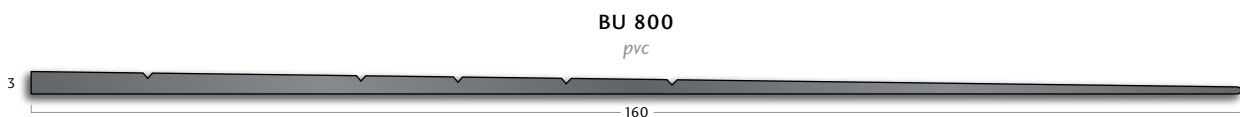


BU 200
pvc



Typical example: BU200 bevelled underlay used to build up a 3.2mm linoleum to ensure a flush finish with the back edge of a G11 stair edging (5mm gauge).

Section 4



BU 800
pvc

COLOUR AVAILABILITY

BU: Black.

For a quick colour reference guide use the back cover foldout.
For full details on Colour Availability see pages 98 to 99.

Profiles: Dimensions shown are nominal. Illustrations are full size in mm.
Products subject to minor design alterations without notice.