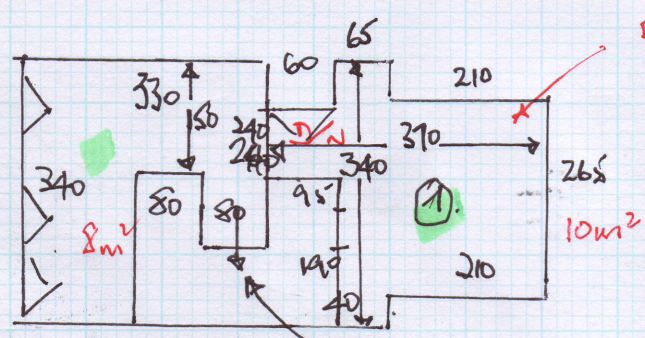


FURN x 3no. (STAGED JOB).  
 STAGE 1 - TOP FLOOR, LANDINGS & STAIRS.  
 STAGE 2 - ROOMS 2 & 3 & RUNNER.

Job No: R16731.  
 Name: KERR  
 Address: 66 THE BITTOMS.  
 KT1.  
 Tel:  
 Sheet: 1 of 2.

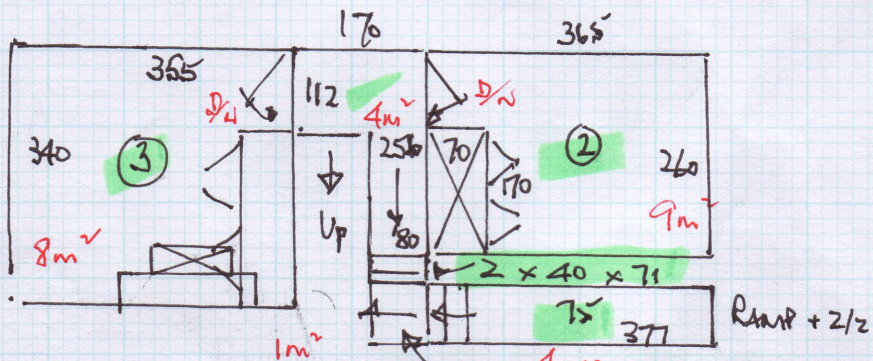
TOP



EXISTING  
1/2.

- 2 x 45 x 70
- W1 60 x 80
- W2 65 x 95  $5m^2$
- W3 65 x 67
- 1/4 92 x 69
- 1 x 45 x 70

FIRST

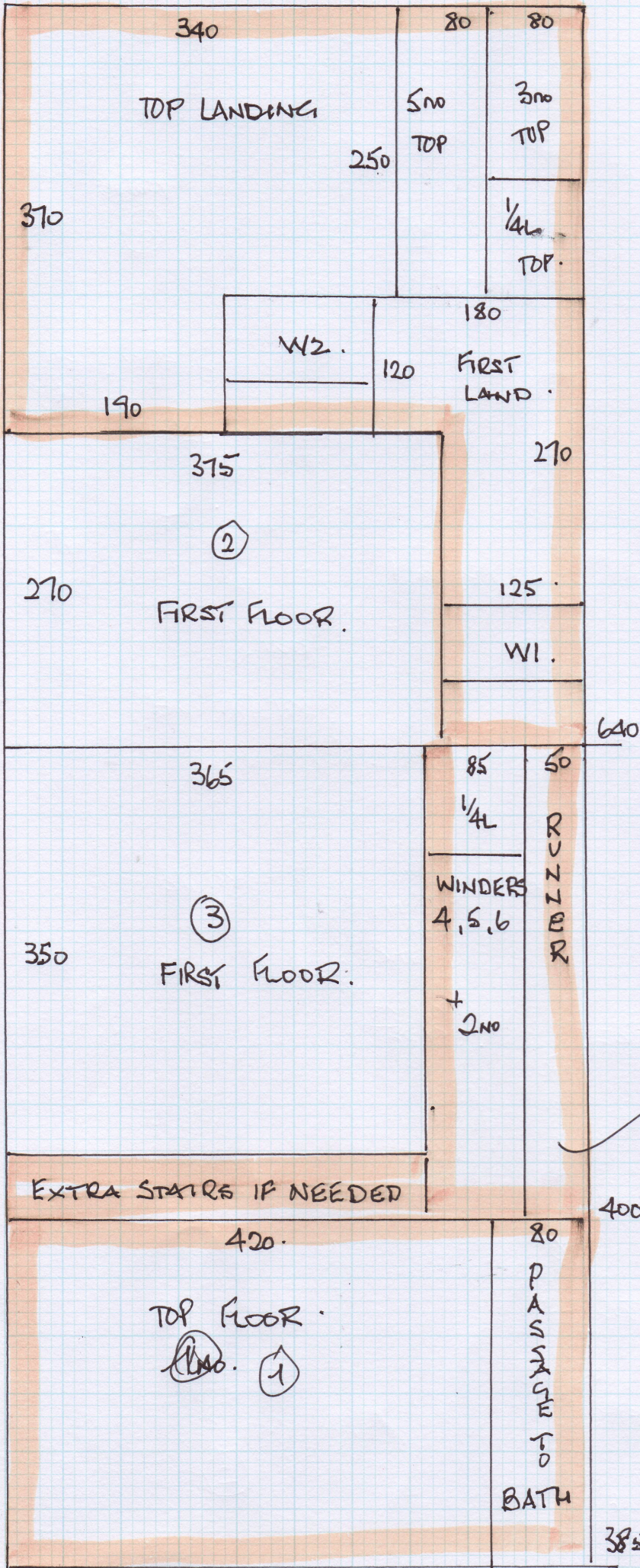


- 2 x 40 x 73
- 1/4L 85 x 97

- W4 55 x 70
- W5 60 x 78  $5m^2$
- W6 60 x 70
- 9 x 40 x 70

- U/LAY.  $54m^2$
- D/N 3no.
- 2/2 1no
- RAMP 1no
- GR. 7ono.
- FURN 3no.
- WHIP
- TAPPE.  $12.00lm$

Job No: R16731  
 Name: MILLBANK MEDIA.  
 Address: 66 THE BITTOMS  
 KT2.  
 Tel:  
 Sheet: 2 of 2.



STAGE 1.

CUT 50cm RUNNER.  
 HAND TO W'HSE FOR  
 B/H.

CUT WINDERS ON SITE.  
 4, 5 & 6.  
 HAND TO W'HSE FOR  
 BH.