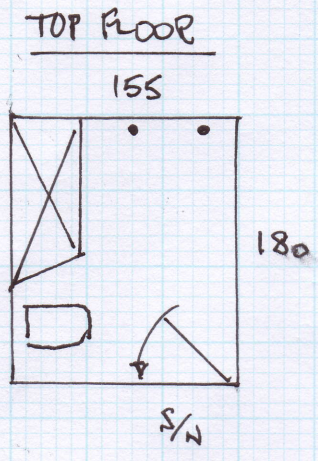


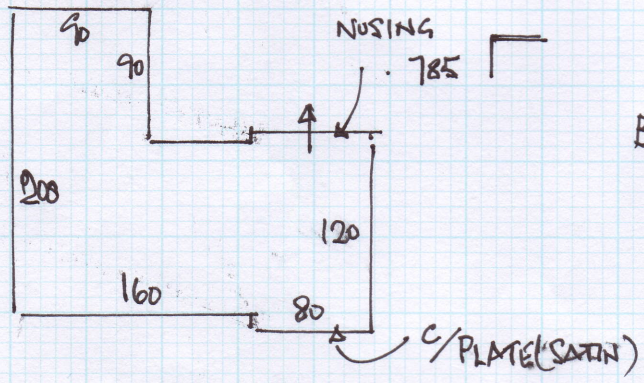
Job No: R16747
 Name: WALES
 Address: 42 HAZELWELL RD
 SWIS
 Tel:
 Sheet: 1 of 1



EXISTING CARP.
 H/B OVERLAIN
 2.70 m².
 PLY 500.
 S/W x 1.

AMTICO.

DOG HOUSE

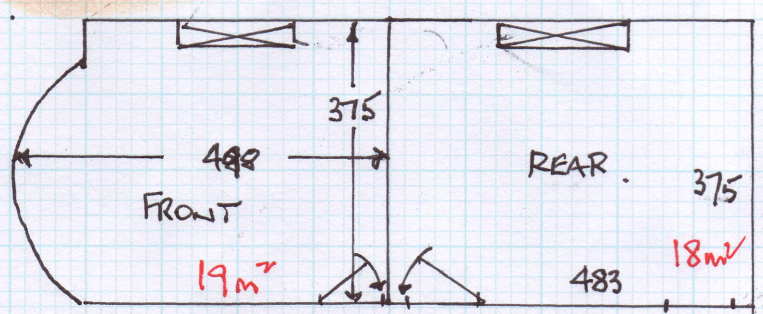


BUILDER'S PLY.

4.16m².
 PLY 600.
 C/P x 1No.
 NOS x 1No.

FIRST FLOOR

CARPET TO BOTH ROOMS



EXISTING CARPET, UPLIFT, FURN.
 390 x 500 390 x 500.

U/L. 37m².
 RAMP x 1No.
 RADIOS x 1No.
 GR. 500.