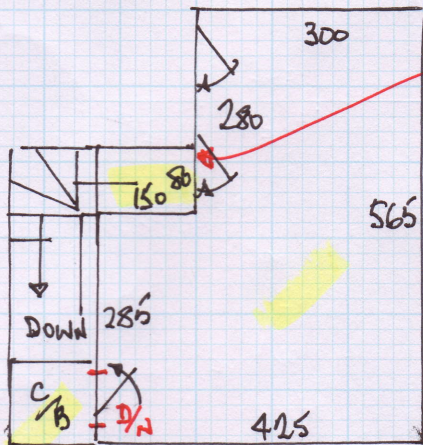


Job No: R16779
 Name: CHAPMAN/LAPPARTIENT
 Address: 16 PENDARVES RD
 SW20
 Tel: _____
 Sheet: 1 of 2.

TOP:

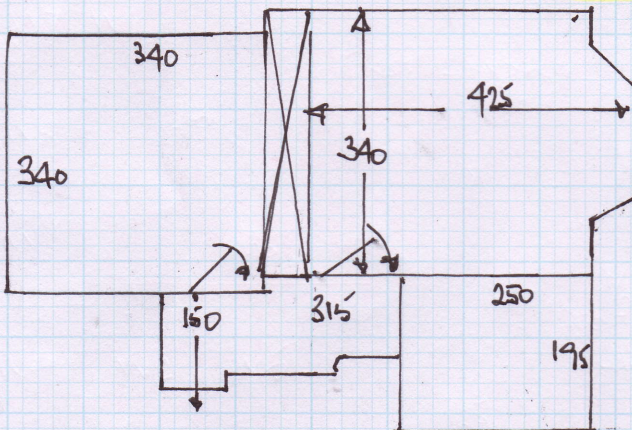


SEAM AT DOORWAY.

- 1 x 47 x 76
- W1 67 x 88
- W2 70 x 105
- W3 68 x 72
- 5 x 47 x 76
- W4 52 x 80
- W5 60 x 90
- W6 66 x 105
- W7 63 x 73

- BN 30 x 85
- 25 x 95

FIRST



- W8 58 x 85
- W9 66 x 108
- W10 65 x 73
- 11 x 42 x 76
- 1 x BN.

STAGE 1. FIT FRI. 28 NOV.

Job No: R16779
 Name: CHAPMAN
 Address: 16 PENDARVES RD
 SW20.
 Tel:
 Sheet: 2 of 2.

