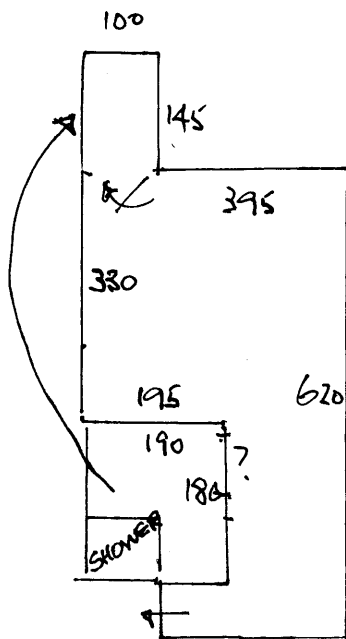


RIGGOS  
 AKDERE  
 20 TOYNBEE RD  
 SW20.

1 1.

TOP ROOM. (NEW)

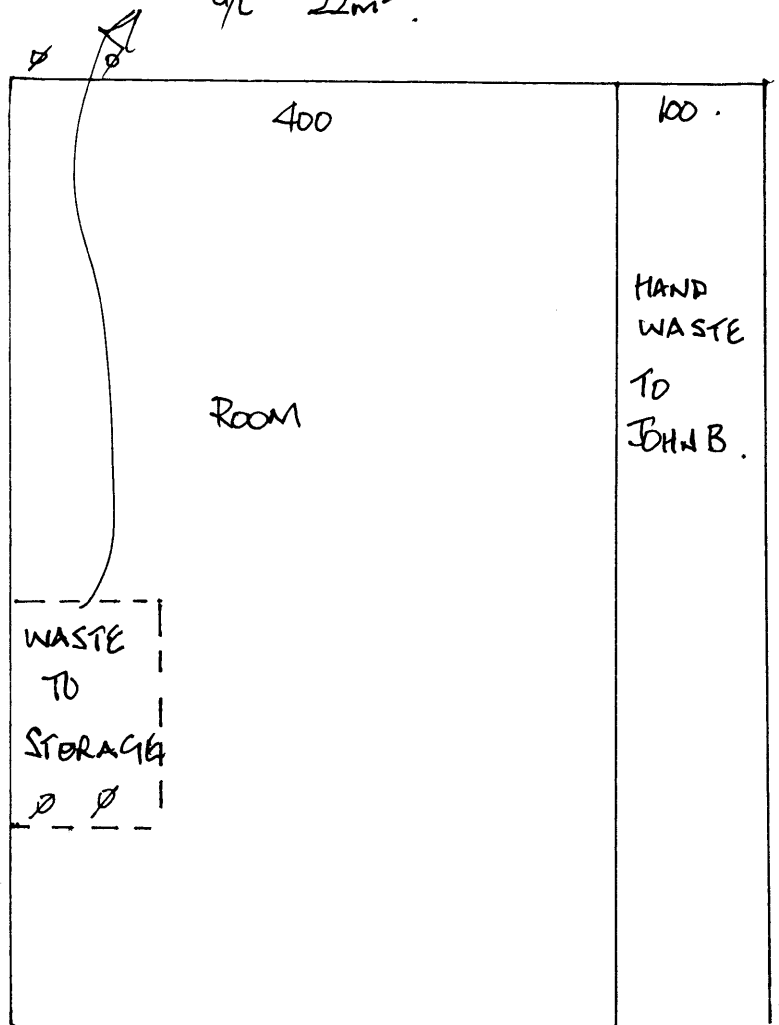
MEASURED WITHOUT SKIRTINGS.



$630 \times 400 = 25.20m^2$

CR 1410.

4/L 22m<sup>2</sup>.



630