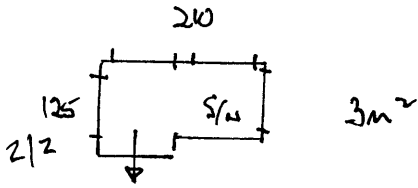


EXISTING CARPET FITTED

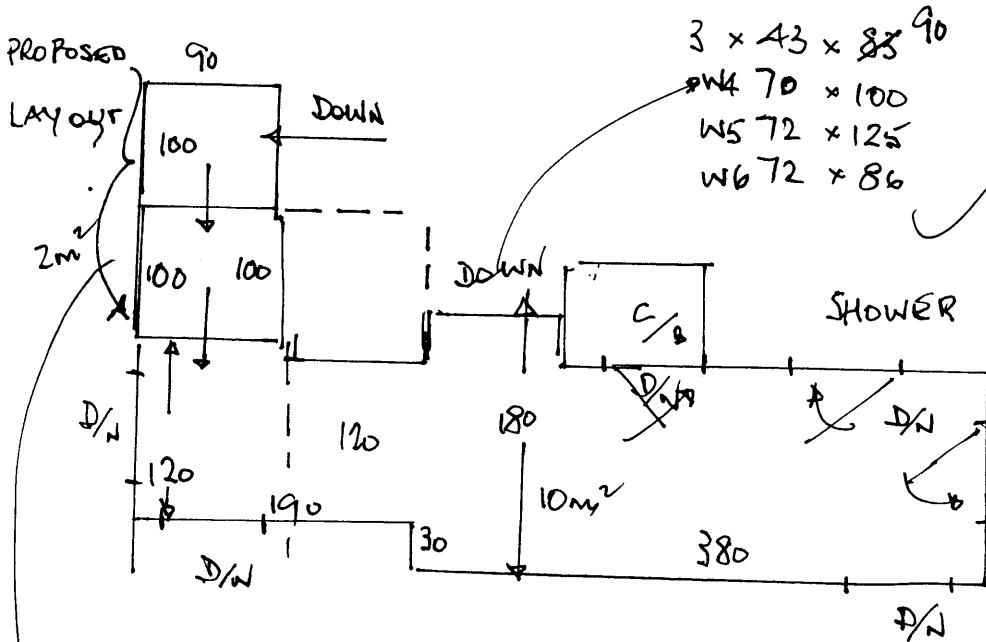
R16411
 ANDERSON
 54 KENILWORTH AVE
 SW19.

TOP LANDING:



1 1

- 5 x 43 x 81 + TOWER
 - W1 62 x 92
 - W2 70 x 112
 - W3 70 x 78 +
 - 5 x 43 x 81 + TURN
- 5m²

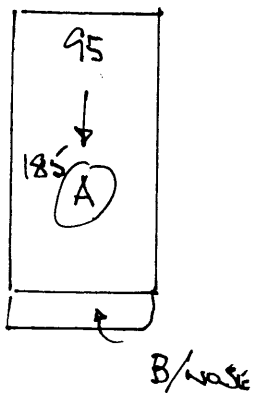


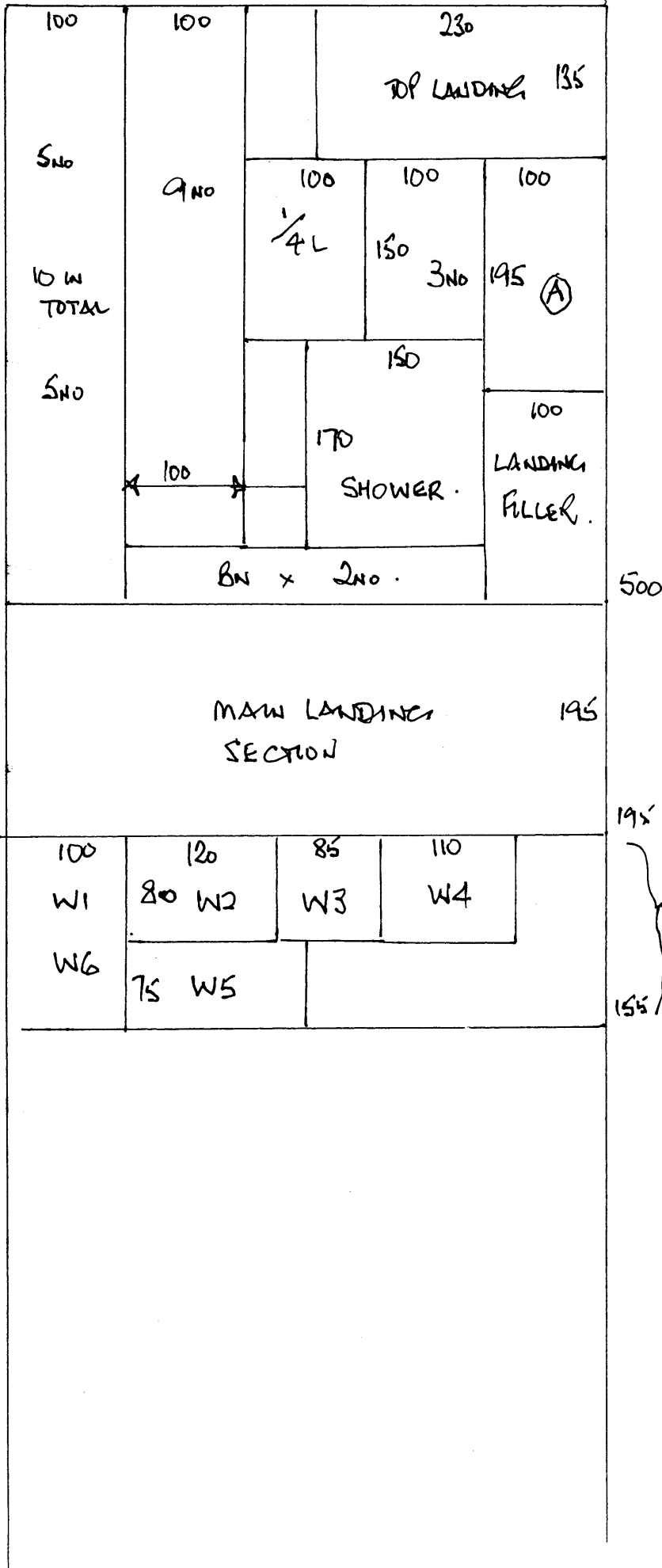
- 6m²
- 9 x 43 x 90
 - 1/4 L 110 x 100
 - 1 x BN 60 x 100
- PROPOSED LAYOUT.

- 120 x 94
- 30 x 105
- 20 x 115

SHOWER 163 x 140

- U/LAY 26m²
- S/N 2.
- D/N 7.





RIGALL
 ANDERSON
 54 KENILWORTH AVE
 SWIG.

2 2.

CUT THIS PIECE ON SITE.
 VERY TIGHT ON LENGTH.
 UNLESS THIS CUT IS OVERSIZE.